

Wall mounting socket outlet - with external fixing



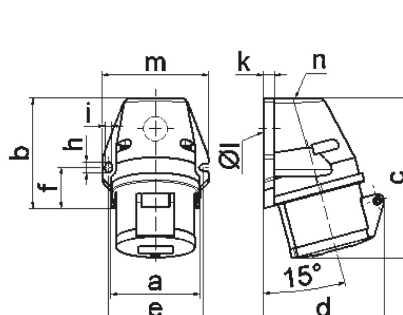
Product description	
BALS-Prd.-Nr	11895
EAN	4024941118958
Product category	Wall mounting socket outlet QUICK-CONNECT
Current	16A
Number of poles	3p
Arrangement of phases	2P+PE
Position of earth contact	6 h
Voltage	200 - 250V~
Frequency	50/60Hz

Product description	
Protection degree	IP44
Colour code	blue RAL 5015
Colour of appliance	Collar blue RAL 5015, Hinged lid blue RAL 5015, Housing bottom grey RAL 7035, Housing top grey RAL 7035
Connection design	screwless spring terminals with KONTEX-contact
Maximum conductor size	4,0 qmm
Cable entry	top entry M20
Height	130mm
Width	72mm
Depth	86mm
Dimension of enclosure	90x72 mm (HxW)
Material of enclosure	Polyamide
Contacts	the contact carrier is made of polyamide, the contacts are brass

Additional technical properties	
	The cable entry is one at top open and one at bottom closed

Logistics data	
Weight/pcs	0.18 kg / Piece
Packaging	Bag
Content amount	1 ST

Logistics data	
EAN	4024941118958
Length	86 mm
Width	72 mm
Height	130 mm
Weight	0.181 kg
Volume	4,735.104 ccm
Packaging	Carton
Content amount	10 ST
EAN	4024941957540
Length	245 mm
Width	177 mm
Height	185 mm
Weight	1.933 kg
Volume	7,140 ccm



1 MB 19

Ampere Polzahl	16 3	16 4	16 5	32 3	32 4	32 5
a	59,5	72,4	72,4	79,1	79,1	79,1
b	90,0	90,0	90,0	92,0	92,0	92,0
c	130,0	130,0	131,0	142,0	142,0	142,0
d	85,0	96,0	98,0	103,0	103,0	106,0
e	62,0	77,0	77,0	84,0	84,0	84,0
f	33,5	33,5	33,5	30,0	30,0	30,0
h	9,0	9,0	9,0	9,0	9,0	9,0
i	5,5	5,5	5,5	5,5	5,5	5,5
k	8,0	9,0	9,0	9,0	9,0	9,0
l Ø	21,0	21,0	21,0	21,0	21,0	21,0
m	72,0	87,0	87,0	94,0	94,0	94,0
n	M20	M25	M25	M25	M25	M25
Leiter mm ² min	1,5	1,5	1,5	2,5	2,5	2,5
Leiter mm ² max	4	4	4	10	10	10