

Panel mounting socket outlet angled - flange 85x85 fixing centers 70x70



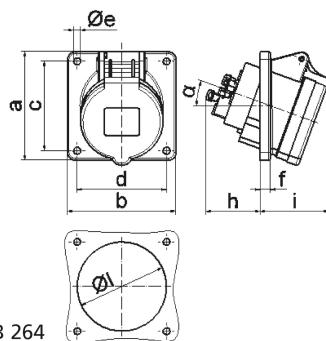
Product description	
BALS-Prd.-Nr	12757
EAN	4024941127578
Product category	Panel mounting socket outlet QUICK-CONNECT, angled
Current	16A
Number of poles	5p
Arrangement of phases	3p+N+PE
Position of earth contact	6 h
Voltage	200/346 - 240/415V~
Frequency	50/60Hz

Product description	
Protection degree	IP44
Colour code	red RAL 3000
Colour of appliance	Hinged lid red RAL 3000, Enclosure grey RAL 7035
Connection design	screwless spring terminals with KONTEX-contact
Maximum conductor size	4,0 qmm
Cable entry	other
Height	89mm
Width	85mm
Depth	103mm
Flange size vertical in mm	85mm
Flange size horizontal in mm	85mm
Drill hole dist. vertical mm	70mm
Drill hole dist. horizontal mm	70mm
Material of enclosure	Polyamide
Contacts	the contact carrier is made of polyamide, the contacts are brass

Additional technical properties	
	The inclination is 20°

Logistics data	
Weight/pcs	0.164 kg / Piece

Logistics data	
Packaging	Bag
Content amount	1 ST
EAN	4024941127578
Length	103 mm
Width	85 mm
Height	89 mm
Weight	0.165 kg
Volume	779.195 ccm
Packaging	Carton
Content amount	10 ST
EAN	4024941936460
Length	245 mm
Width	177 mm
Height	185 mm
Weight	1.773 kg
Volume	7,140 ccm



4 MB 264

Ampere Polzahl	16 3	16 4	16 5	32 3	32 4	32 5
a	85,0	85,0	85,0	85,0	85,0	85,0
b	85,0	85,0	85,0	85,0	85,0	85,0
c	70,0	70,0	70,0	70,0	70,0	70,0
d	70,0	70,0	70,0	70,0	70,0	70,0
e ø	5,5	5,5	5,5	5,5	5,5	5,5
f	8,0	8,0	8,0	8,0	8,0	8,0
h	46,0	46,0	46,0	55,0	55,0	55,0
i	50,0	51,0	54,0	60,0	60,0	60,0
l ø	57,0	65,0	70,0	78,0	78,0	78,0
α	20°	20°	20°	20°	20°	20°
Leiter mm² min	1,5	1,5	1,5	2,5	2,5	2,5
Leiter mm² max	4	4	4	10	10	10

