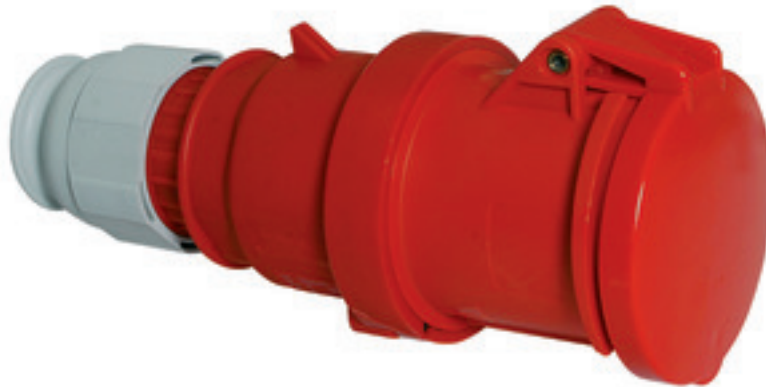


## Connector - with TE screw terminals for harsh applications



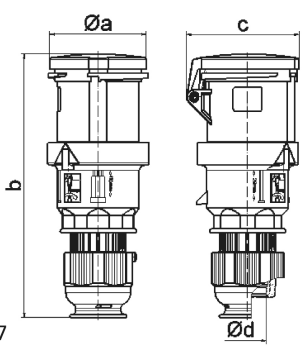
Product description	
BALS-Prd.-Nr	3112
EAN	4024941031127
Product category	TE connector
Current	63A
Number of poles	5p
Arrangement of phases	3p+N+PE
Position of earth contact	6 h
Voltage	200/346 - 240/415V~

Product description	
Frequency	50/60Hz
Protection degree	IP44
Colour code	red RAL 3000
Colour of appliance	Housing cover red RAL 3000, Collar red RAL 3000, Hinged lid red RAL 3000, Cable gland grey RAL 7035
Connection design	screw terminal as box terminal with Kontex-contact
Maximum conductor size	16,0 qmm
Cable entry	with cable gland
Height	252mm
Width	97mm
Depth	109mm
Material of enclosure	Polyamide
Contacts	the contact carrier is made of high temperature resistant material, the contacts are brass nickel plated

Additional technical properties	
	For cable diameter from 16 up to max. 36 mm, Screwless housing connection, MULTI-GRIP cable gland with gasket, integrated cable clamp and additional water evacuation openings

Logistics data	
Weight/pcs	0.67 kg / Piece
Packaging	Bag
Content amount	1 ST

Logistics data	
EAN	4024941031127
Length	109 mm
Width	97 mm
Height	252 mm
Weight	0.671 kg
Volume	2,664.396 ccm
Packaging	Carton
Content amount	5 ST
EAN	4024941965705
Length	325 mm
Width	217 mm
Height	210 mm
Weight	3.556 kg
Volume	13,588.4 ccm



3 MB 107

	63	63	63				
<b>Ampere</b>	<b>3</b>	<b>4</b>	<b>5</b>				
<b>Polzahl</b>	<b>3</b>	<b>4</b>	<b>5</b>				
a ø	95,0	95,0	95,0				
b	251,0	251,0	251,0				
c	109,0	109,0	109,0				
d ø	36,0	36,0	36,0				
Leiter mm <sup>2</sup> min	6	6	6				
Leiter mm <sup>2</sup> max	16	16	16				