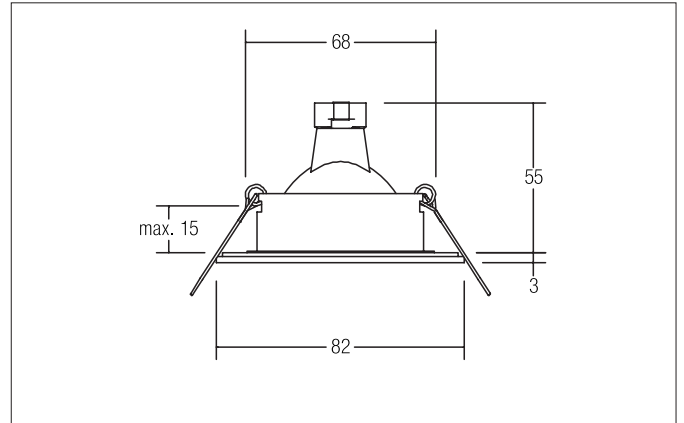


**ITANSA-R Recessed downlight, V4A, IP54, GX5,3**  
Article no. 26004220

Light.  
For Generations.



**Tender**

Recessed downlight, V4A, IP54, GX5,3, stainless steel, Round. In a compact design, for installation in tool-less rapid assembly systems. Mounting method: Recessed mounting, Place of installation: Ceiling-mounted, Material: Stainless steel V4A / Glass, Degree of protection: according to DIN EN 60529 IP54, Protection class: (EN 61140) III, Voltage: 12V, Power: 35 W, Amount of light sources / fittings: 1 Qty, Adjustability: Not adjustable, without control gear, Dimmable: Depending on type of control gear, Control: Depending on driver.

Article data	
Article no.	26004220
GTIN	4250047781127
Series name	ITANSA-R
Short description	Recessed downlight, V4A, IP54, GX5,3
Material	Stainless steel / Glass
Colour	Stainless steel
Type of surface	Matt
Shape	Round
Outer diameter	82 mm
Built-in diameter	68 mm
Installation depth	55 mm
Height	3 mm
Weight	0.188 kg

**ITANSA-R Recessed downlight, V4A, IP54, GX5,3**

Article no. 26004220

Light.  
For Generations.

Operating technology of the luminaire	
System output	35 W
Voltage type	AC/DC
AC nominal voltage max	12 V
Frequenz max.	50 Hz
Lamp	For LED-retrofill lamp
Lamp holder	GX5.3
Protection class	III
Degree of protection	IP54
Schutzart deckenseitig	IP20
Dimmable	Depending on type of control gear
Control	Depending on driver
Bulb change possible	Yes

Mounting technology	
Mounting method	Recessed mounting
Place of installation	Ceiling-mounted
Adjustability	Not adjustable
Max. ceiling thickness	15 mm
Further references	No cover with thermal insulation material
Material cover	Glass transparent
Circlip	Without circlip

Packing data	
Gross weight	0.242 kg
Length of packaging	90 mm
Packaging width	90 mm
Packaging height	70 mm
Disposal at end of life	This product must not be disposed of with household waste. You are obliged, to dispose of such electrical waste separately. By disposing of electrical waste and other old or defective electronics separately, you support recycling or other forms of re-use. In that way you help to take care and to avoid that harmful substances get into the environment.