

Connector - INNOLINQ lead-free with QUICK-CONNECT and MULTI-GRIP



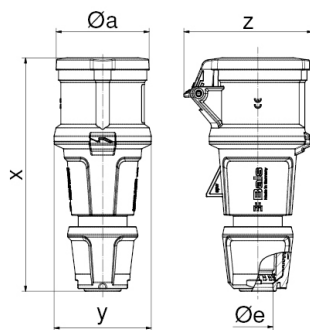
Product description	
BALS-Prd.-Nr	301
EAN	4024941347334
Product category	Connector INNOLINQ QUICK-CONNECT
Current	32A
Number of poles	5p
Arrangement of phases	3p+N+PE
Position of earth contact	6 h
Voltage	200/346 - 240/415V~

Product description	
Frequency	50/60Hz
Protection degree	IP54
Colour code	red RAL 3000
Colour of appliance	Hinged lid dark grey RAL 7012, Collar red RAL 3000, Cable gland dark grey RAL 7012, Housing cover dark grey RAL 7012
Connection design	screwless spring terminals with KONTEX-ULTRA contact
Maximum conductor size	6,0 qmm
Cable entry	Cable gland
Height	205mm
Width	80mm
Depth	105mm
Material of enclosure	Polyamide
Contacts	the contacts are brass, the contact carrier is made of high temperature resistant material

Additional technical properties	
	this product is without any lead
	MULTI-GRIP cable gland with gasket and integrated strain relief, Screwless housing connection with snap fastening, For cable diameter from 13 up to max. 29 mm

Logistics data	
Weight/pcs	0.346 kg / Piece

Logistics data	
Packaging	Bag
Content amount	1 ST
EAN	4024941347334
Length	105 mm
Width	80 mm
Height	205 mm
Weight	0.347 kg
Volume	1,722 ccm
Packaging	Carton
Content amount	10 ST
EAN	4024941347341
Length	325 mm
Width	217 mm
Height	210 mm
Weight	3.666 kg
Volume	13,588.4 ccm



Ampere Polzahl	16 3	16 5	32 3	32 4	32 5
ø a	55,0	68,0	69,0	69,0	76,0
x	157,0	171,0	205,0	205,0	205,0
y	59,0	71,0	80,0	80,0	80,0
z	80,0	94,0	99,0	99,0	105,0
ø e	18,0	21,0	29,0	29,0	29,0
Cond. mm ² min	1	1	2,5	2,5	2,5
Cond. mm ² max	2,5	2,5	6,0	6,0	6,0

