

# Climate control

## Cooling units

### Thermoelectric coolers

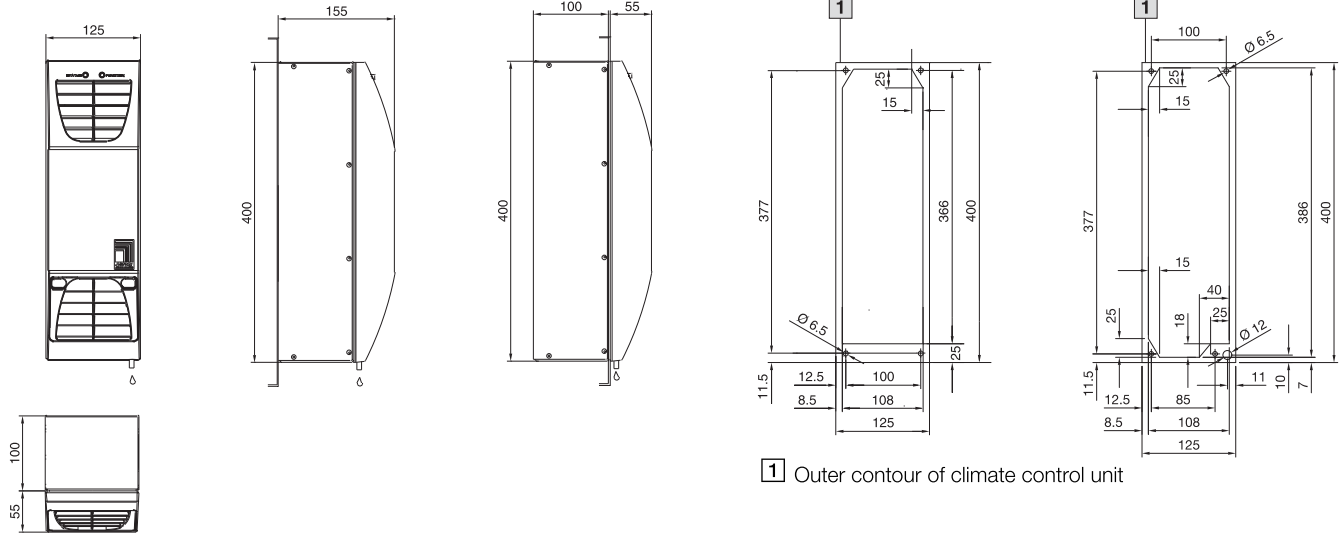
SK 3201.200, SK 3201.300

External mounting

Internal mounting

Mounting cut-out for external mounting

Mounting cut-out for internal mounting



### Wall-mounted cooling units

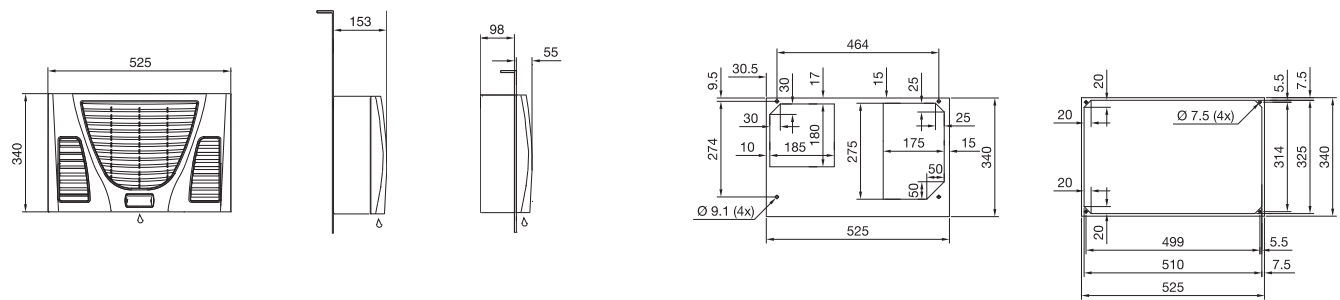
TopTherm, horizontal format, SK 3302.300, SK 3302.310

External mounting

Internal mounting

Mounting cut-out for external mounting

Mounting cut-out for internal mounting



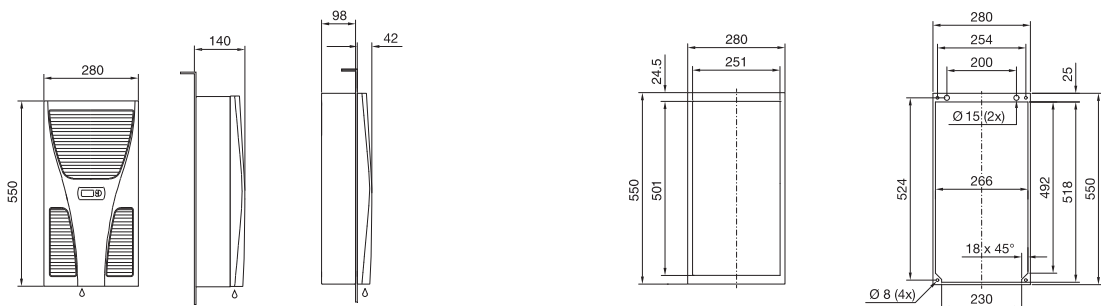
TopTherm, SK 3302.XXX

External mounting

Internal mounting

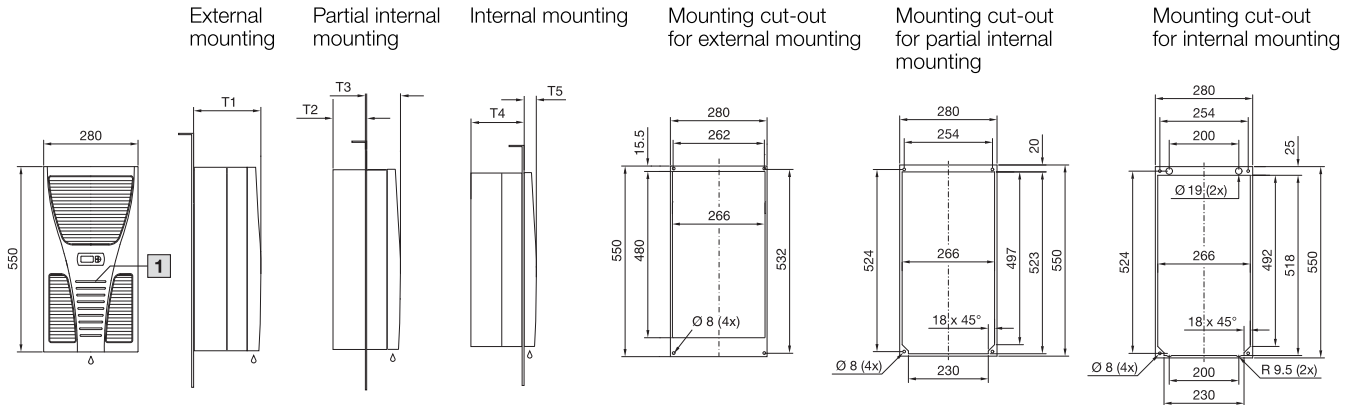
Mounting cut-out for external mounting

Mounting cut-out for internal mounting



### Wall-mounted cooling units

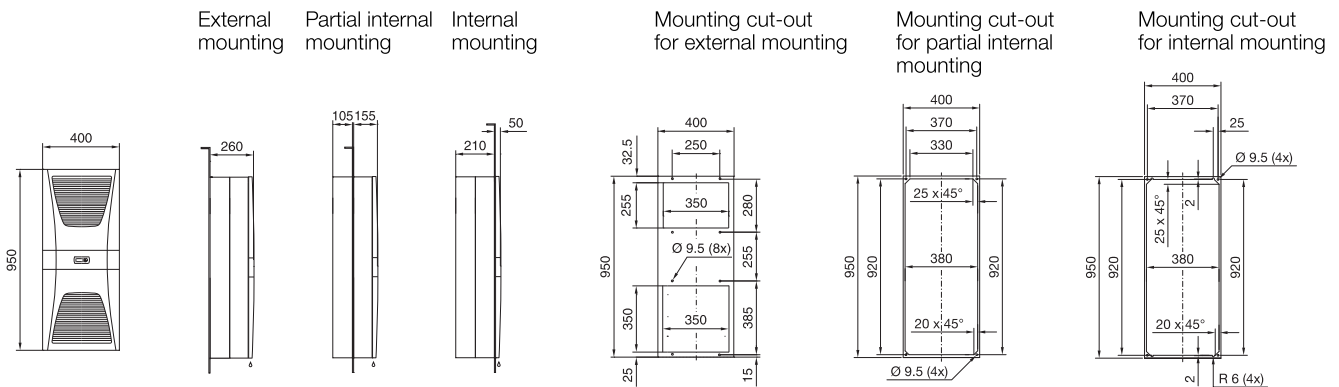
TopTherm Blue e, SK 3303.XXX, SK 3361.XXX



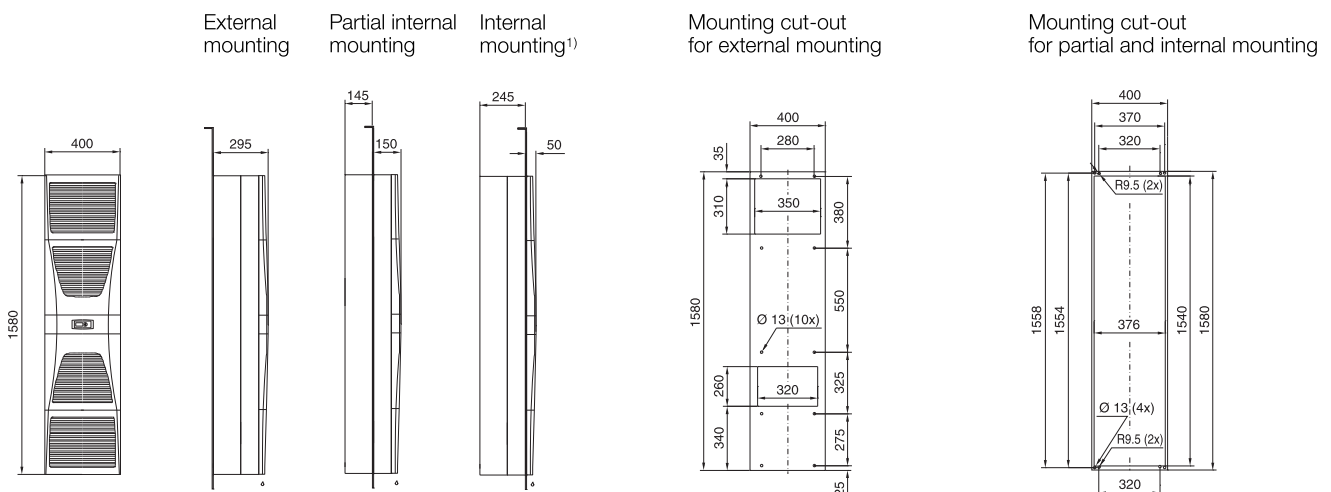
Model No. SK	Output class	T1	T2	T3	T4	T5
3303.XXX	500 W	206	100	106	164	42
3361.XXX	750 W	280	125	155	235	45

1 Only with 3361.XXX

### TopTherm Blue e, SK 3304.XXX, SK 3305.XXX



### TopTherm Blue e, SK 3328.XXX, SK 3329.XXX



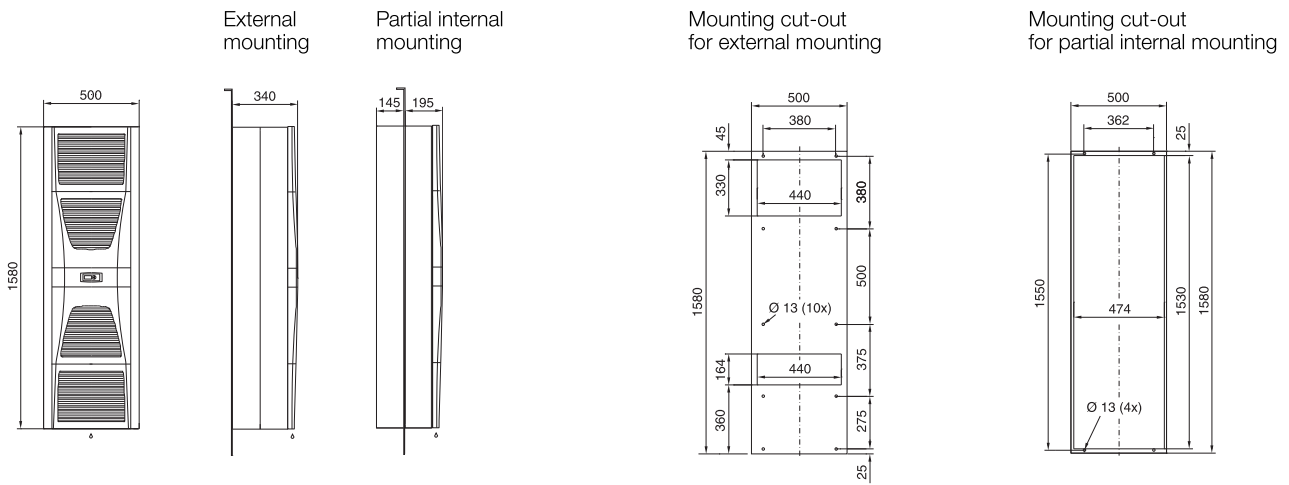
1) For installation in 600 mm wide doors, move the mounting cut-out from the centre of the door towards the hinged side by at least 10 mm

# Climate control

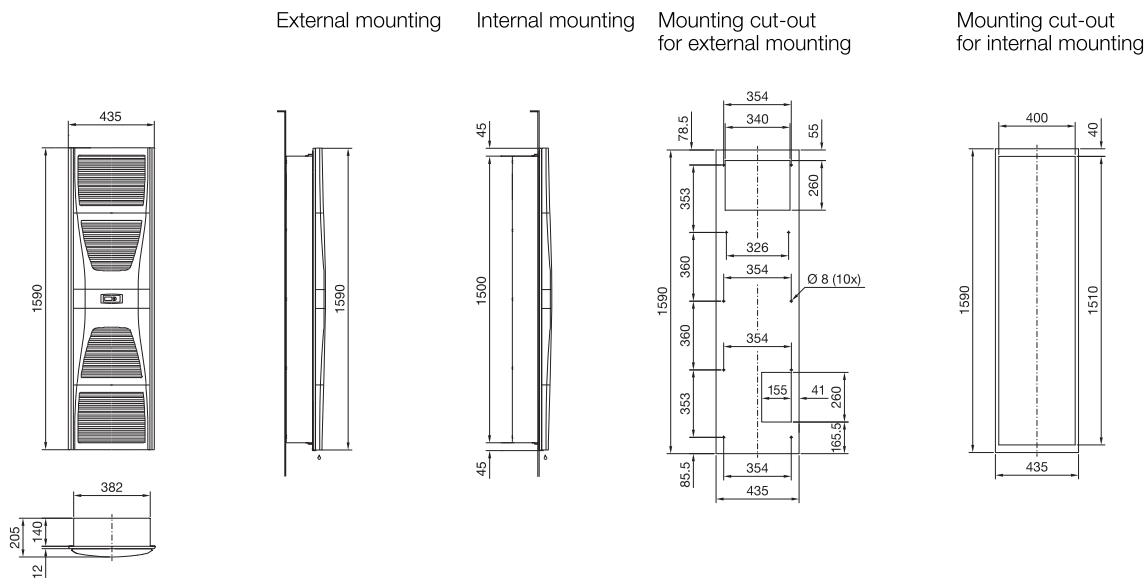
## Cooling units

### Wall-mounted cooling units

TopTherm Blue e, SK 3332.XXX



TopTherm Blue e, slimline, SK 3366.XXX



### Wall-mounted cooling units

Blue e+,

SK 3185.530, SK 3185.830, SK 3186.630, SK 3186.930, SK 3187.630, SK 3187.930, SK 3188.640, SK 3188.940, SK 3189.640, SK 3189.940

#### Overview of mounting options of Blue e+ cooling units on enclosures

Installation type		1	No standard			2	3	4	5	6	7	8	9	10	11	12	13	14
Width mm	500	■	■	■	■	■	-	-	-	-	-	-	-	-	-	-	-	-
	600	-	-	-	-	-	■	■	■	■	■	-	-	-	-	-	-	-
	800	-	-	-	-	-	-	-	-	-	■	■	■	■	-	-	-	-
	1000 (2 x 500)	-	-	-	-	-	-	-	-	-	-	-	-	-	■	■	-	-
	1200 (2 x 600)	-	-	-	-	-	-	-	-	-	-	-	-	-	-	-	■	■
Door variant	Lockable door	-	-	-	-	-	-	-	-	-	-	-	-	-	-	■	■	■
	Hinged door	-	-	-	-	-	-	-	-	-	-	-	-	-	-	-	■	■
	Single door	-	■	■	■	■	■	■	■	■	■	■	■	■	-	-	-	-
	Side panel	■	-	-	-	-	-	-	-	■	-	-	-	-	-	-	-	-
Lock systems	Standard (double-bit)	-	-	■	-	■	-	■	-	■	-	■	-	■	-	-	-	-
	Comfort handle	-	■	-	■	-	■	-	■	-	■	-	■	-	■	-	■	-
Hinge	130°	-	-	-	■	■	-	-	■	■	-	-	■	■	■	■	■	■
	180°	-	■	■	-	-	■	■	-	-	■	■	-	-	-	-	-	-
Mounting type	External mounting	■	■	■	■	■	■	■	■	■	■	■	■	■	■	■	■	■
	Partial internal mounting	■	■	■	■	■	■	■	■	■	■	■	■	■	-	■ <sup>1)</sup>	■	■
	Full internal mounting <sup>1)</sup> (2 and 2.6 kW)	■	-	-	-	-	■ <sup>1)</sup>	■ <sup>1)</sup>	■ <sup>1)</sup>	■ <sup>1)</sup>	■	■	■	■	-	■ <sup>1)</sup>	■ <sup>1)</sup>	■

<sup>1)</sup> Move the cut-out towards the door hinge by 20 mm

#### Blue e+, SK 3185.530, SK 3185.830

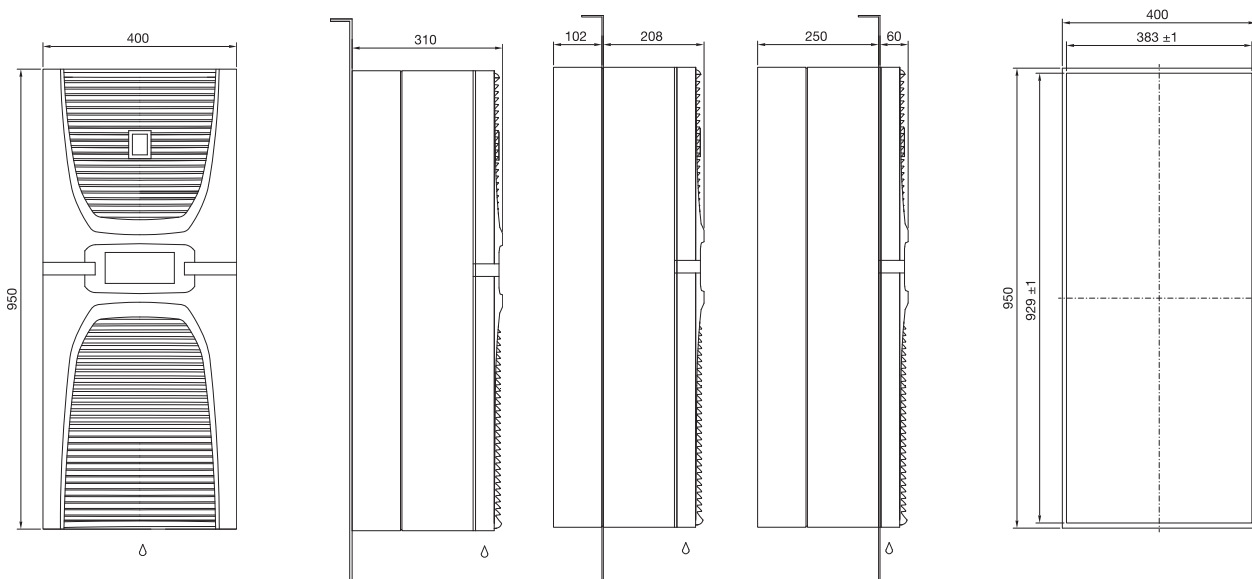
Installation options SK 3185.530, SK 3185.830

External mounting

Partial internal mounting

Internal mounting

Mounting cut-out for external mounting, partial internal mounting, internal mounting



# Climate control

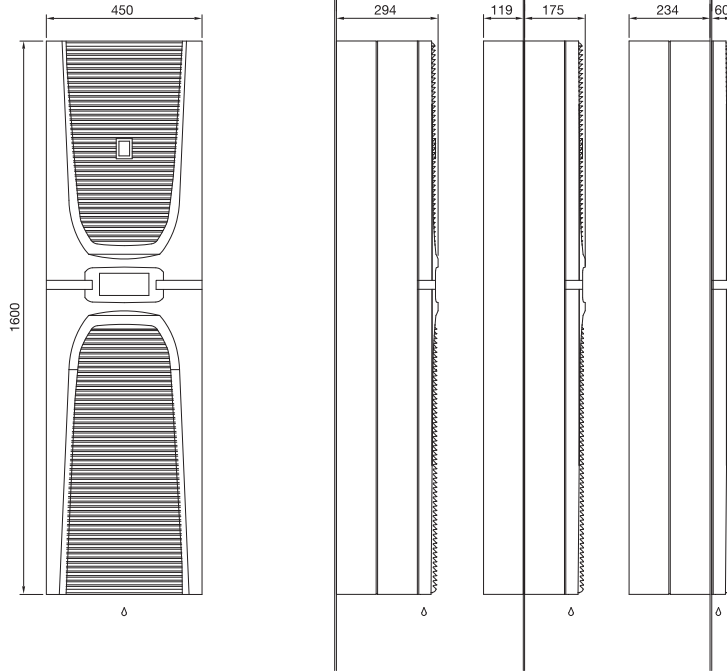
## Cooling units

### Wall-mounted cooling units

Blue e+, SK 3186.630, SK 3186.930, SK 3187.630, SK 3187.930, SK 3188.640, SK 3188.940, SK 3189.640, SK 3189.940

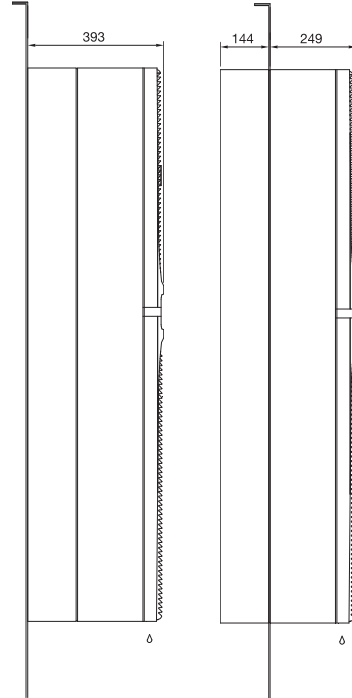
Installation options  
SK 3186.630, SK 3186.930,  
SK 3187.630, SK 3187.930

External mounting    Partial internal mounting    Internal mounting

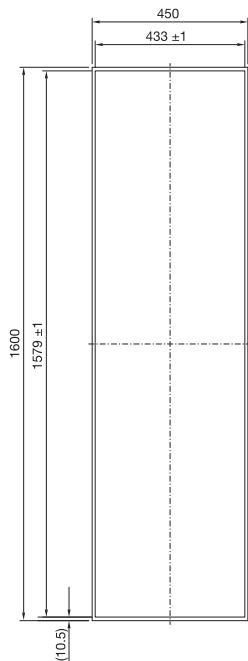


Installation options  
SK 3188.640, SK 3188.940,  
SK 3189.640, SK 3189.940

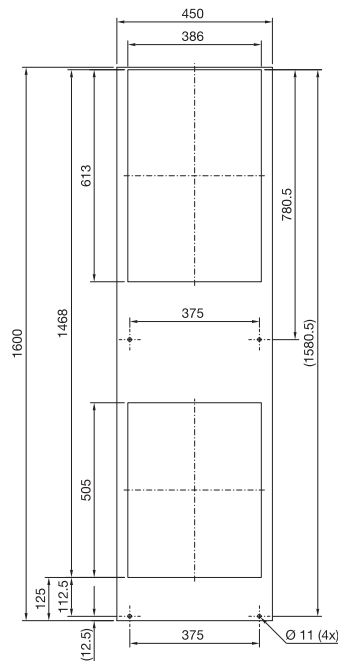
External mounting    Partial internal mounting



Mounting cut-out  
for external mounting, partial internal  
mounting, internal mounting for door,  
rear and side panel,  $W \geq 600$  mm



Mounting cut-out  
for external mounting for rear  
and side panel,  $W = 500$  mm



#### Important installation instructions for full internal mounting

- Not generally possible for 4.2 and 5.8 kW
- For 600 mm wide enclosure doors, please note:  
Move the cut-out towards the door hinge by  
25 mm, and dismantle the tubular door frame

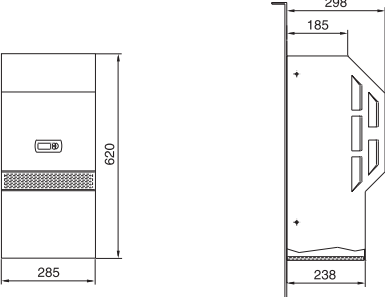
#### Important installation instructions for external mounting on 500 mm deep enclosures

- Partial internal mounting and full internal  
mounting not supported
- External mounting only possible with mounting  
cut-out for 500 mm deep enclosures

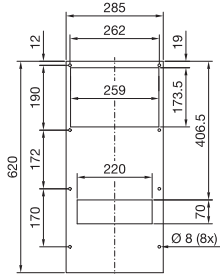
Wall-mounted cooling units

TopTherm Blue e, design NEMA 4X, SK 3303.XXX

External mounting

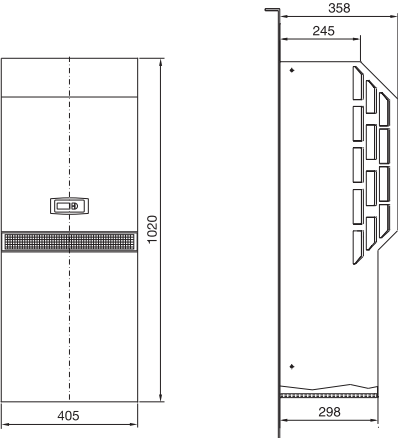


Mounting cut-out for external mounting

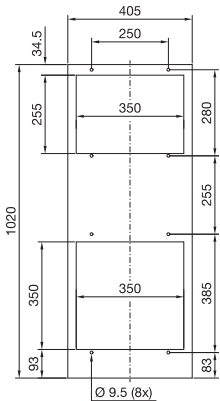


TopTherm Blue e, design NEMA 4X, SK 3304.XXX, SK 3305.XXX

External mounting



Mounting cut-out for external mounting



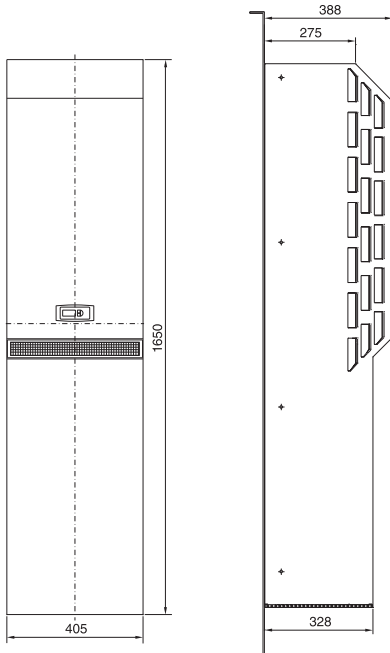
# Climate control

## Cooling units

### Wall-mounted cooling units

TopTherm Blue e, design NEMA 4X, SK 3328.XXX, SK 3329.XXX

External mounting



Mounting cut-out for external mounting

