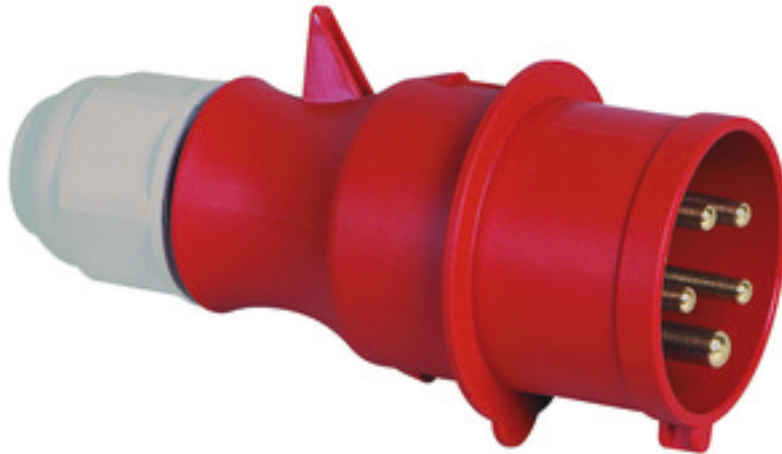


## Plug - with screw terminals one piece housing



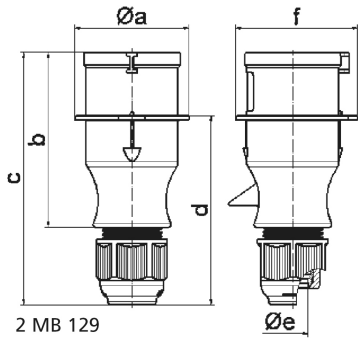
Product description	
BALS-Prd.-Nr	203-TLS
EAN	4024941192286
Product category	TLS plug with MULTI-GRIP cable gland
Current	16A
Number of poles	5p
Arrangement of phases	3p+N+PE
Position of earth contact	6 h
Voltage	200/346 - 240/415V~
Frequency	50/60Hz

Product description	
Protection degree	IP44
Colour code	red RAL 3000
Colour of appliance	Enclosure red RAL 3000, Cable gland grey RAL 7035
Connection design	with screw terminal
Maximum conductor size	2,5 qmm
Cable entry	Cable gland
Height	146mm
Width	66mm
Depth	75mm
Material of enclosure	Polyamide
Contacts	the contact carrier is made of polyamide, the contacts are brass

Additional technical properties	
	one piece housing, MULTI-GRIP cable gland with gasket and integrated strain relief, For cable diameter from 8 up to max. 18 mm

Logistics data	
Weight/pcs	0.162 kg / Piece
Packaging	Carton
Content amount	10 ST
EAN	4024941828161
Length	275 mm

Logistics data	
Width	175 mm
Height	137 mm
Weight	1.745 kg
Volume	5,737.5 ccm



2 MB 129

Ampere	16	16	16	32	32	32
Polzahl	3	4	5	3	4	5
a $\varnothing$	54,0	60,0	66,0	71,0	71,0	80,0
b	94,5	98,0	101,0	115,0	115,0	119,0
c	138,0	142,0	145,0	170,0	170,0	174,0
d	101,5	105,5	108,5	124,0	124,0	128,0
e $\varnothing$	18,0	18,0	18,0	23,0	23,0	23,0
f	56,6	64,0	71,0	76,0	76,0	85,0
Leiter mm <sup>2</sup> min	1	1	1	2,5	2,5	2,5
Leiter mm <sup>2</sup> max	2,5	2,5	2,5	6	6	6