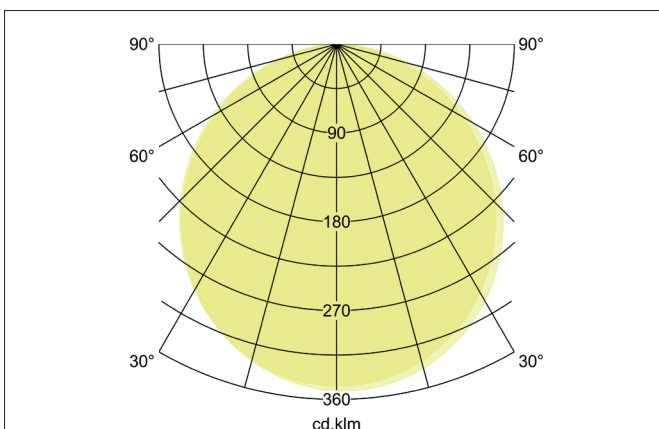
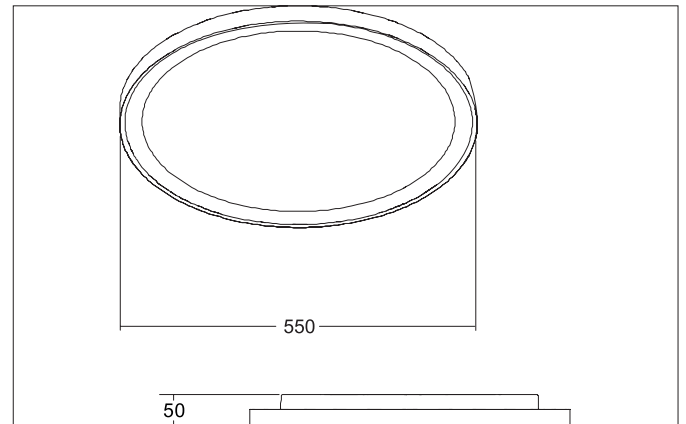


SUNNY MAXI LED ceiling surface mounted downlight, trailing-edge**phase dimmable**

Article no. 12214083

Light.
For Generations.**Tender**

LED ceiling surface mounted downlight, trailing-edge phase dimmable, Round. Luminaire diameter 550.0 mm, Height 50.0 mm Weight 3.303 kg, with rotationssymmetrical, deep, wide distributed light intensity. optimal light distribution due to a plastic, opal cover. Luminous flux 4.400 lm, UGR < 25, Power 1 x 50 W, Light colour warm white to daylight white, Correlated color temperature (CCT) 3.000 - 6.000 K, Colour rendering index CRI > 80, Rated life time L70/B50 at 25 °C: 50.000 h, Housing material: Aluminium / Steel / Polystyrene, Colour: Black, Permissible ambient temperature (ta): -20 °C - +25 °C, Protection class (EN 61140): I, Degree of protection (DIN EN 60529): IP20, shock resistance according to IEC62262: IK04 .With electronic driver, Trailing-edge phase dimmable.

Product Benefits

- Standard indirect component in white, can be retrofitted individually as accessories available in amber, blue and red.
- Easy installation due to bayonet mounting and arrestor cable.
- Luminaire can be easily removed without screws thanks to separate mounting plate.
- Three sizes: 330 mm, 440 mm or 550 mm.
- Three on-site adjustable light colors: 3,000 K, 4,000 K and 6,000 K.
- As an additional function: light color adjustable on the switch side via bottom switch function.
- Also available as pendant version (accessory: pendant set 1,500 mm).
- Dimmable as standard via phase cut-off or DALI (size: 440 mm and 550mm).

SUNNY MAXI LED ceiling surface mounted downlight, trailing-edge**phase dimmable**

Article no. 12214083

Light.
For Generations.

| Article data | |
|-------------------|--|
| Article no. | 12214083 |
| GTIN | 4251433957959 |
| Series name | SUNNY MAXI |
| Short description | LED ceiling surface mounted downlight, trailing-edge phase dimmable |
| Material | Aluminium / Steel / Polystyrene |
| Colour | Black |
| Type of surface | Matt |
| Shape | Round |
| Outer diameter | 550 mm |
| Hight | 50 mm |
| Scope of delivery | incl. converter for connection to 230 V mains voltage, dimmable and incl. adjustable color temperature to 3000 K, 4000 K or 6000 K (switching on the housing or via wall-mounted switch via bottom switch function). Optional accessories: Color ring set for the indirect part in the colors red, blue and amber, as well as a pendulum set 1,500 mm. |
| Weight | 3.303 kg |

| Lighting technology | |
|------------------------------|-----------------------------|
| Colour temperature | 3.000 K / 4.000 K / 6.000 K |
| Light colour | White |
| Farbtemperatur 1 | 3,000 K |
| Farbtemperatur 2 | 4,000 K |
| Farbtemperatur 3 | 6,000 K |
| Light output | Direct/Indirect |
| Luminous flux | 4,400 lm |
| Lichtstrom 1 | 4,400 lm |
| System efficiency | 88 lm/W |
| Colour rendering | CRI > 80 |
| Reflector | Without |
| Beam angle | 110° |
| Glare evaluation | UGR < 25 |
| Light sharing | Symmetric |
| Adjustable color temperature | Stages |

| Operating technology of the luminaire | |
|---------------------------------------|--|
| System output | 50 W |
| Voltage type | AC |
| AC nominal voltage max | 230 V |
| Frequenz max. | 50 Hz |
| Lamp | LED |
| Lamp holder | Without fitting |
| Protection class | I |
| Degree of protection | IP20 |
| Dimmable | Yes |
| Control | Trailing-edge phase |
| Bulb change possible | The light source of this luminaire may only be replaced by the manufacturer or a service technician commissioned by him or a similarly qualified person. |
| Rated life time L70/B50 at 25 °C | 50,000 h |

| Mounting technology | |
|-----------------------|------------------|
| Mounting method | Surface mounting |
| Place of installation | Ceiling-mounted |
| Adjustability | Not adjustable |
| Impact resistance | IK04 |
| Material cover | Plastic, opal |

SUNNY MAXI LED ceiling surface mounted downlight, trailing-edge**phase dimmable**

Article no. 12214083

Light.

For Generations.

| Packing data | |
|-------------------------|---|
| Gross weight | 4.026 kg |
| Length of packaging | 580 mm |
| Packaging width | 575 mm |
| Packaging height | 58 mm |
| Disposal at end of life | This product must not be disposed of with household waste. You are obliged, to dispose of such electrical waste separately. By disposing of electrical waste and other old or defective electronics separately, you support recycling or other forms of re-use. In that way you help to take care and to avoid that harmful substances get into the environment. |

| Accessories | |
|---|--|
|  | Article no.: 81021406 Color ring set for surface downlight 12214.. / 12260.. |
|  | Article no.: 81021408 Color ring set for surface downlight 12214.. / 12260.. |
|  | Article no.: 81021409 Color ring set for surface downlight 12214.. / 12260.. |
|  | Article no.: 81018070 Pendant set for surface-mounted downlight 12208073 / 12209073 Dimensions: 150 mm x 26 mm |
|  | Article no.: 81018080 Pendant set for surface-mounted downlight 12208073 / 12209073 Dimensions: 150 mm x 26 mm |