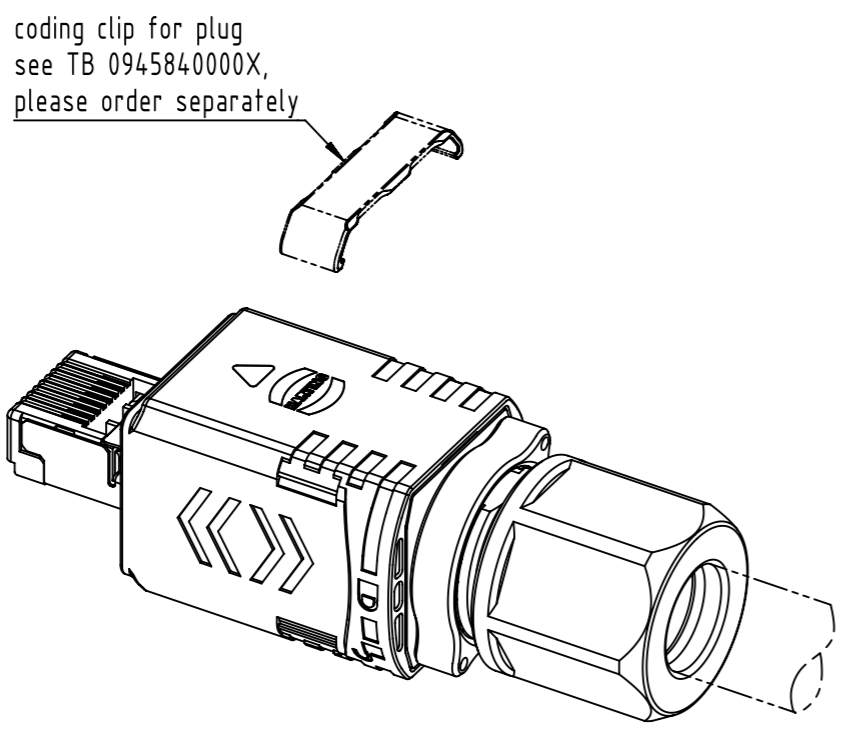
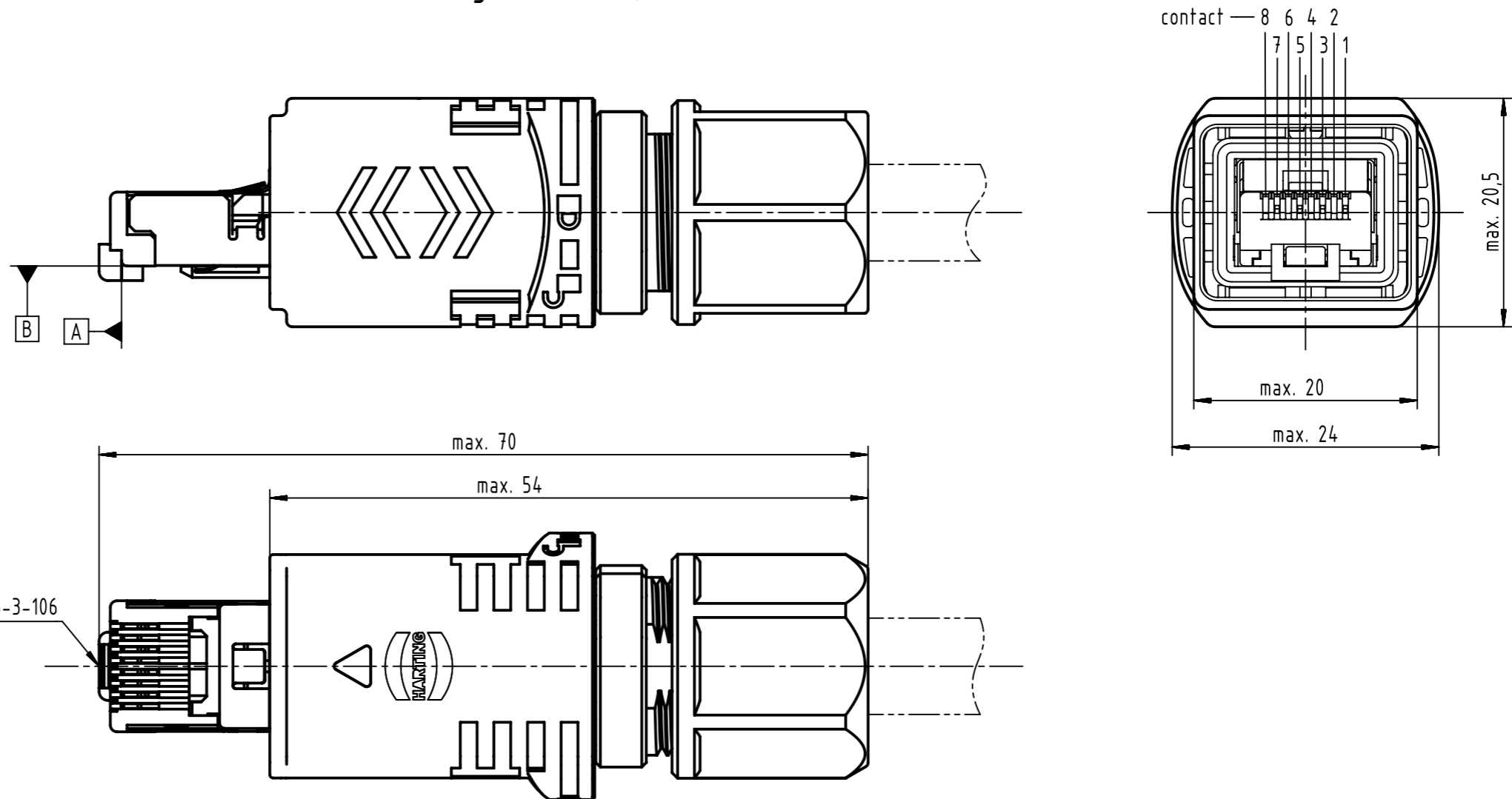


HARTING PushPull V4 Plug and RJ45, not assembled



further information see DS 09455100602

	All Dimensions in mm Original Size DIN A3		Scale 2:1	Free size tol.		Ref.	
	All rights reserved Department EL PD		Created by ZWAHR	Inspected by TADJE	Standardisation HOFFMANN	Date 2018-08-31	State Final Release
HARTING Electronics GmbH D-32339 Espelkamp		Title HARTING PushPull V4 Plug, RJ45, Cat. 6, 8-pole				Doc-Key / ECM-Nr. 100657736/UGD/000/E 500000139479	
		Type TB	Number 09451451561		Rev. E	Page 1/1	