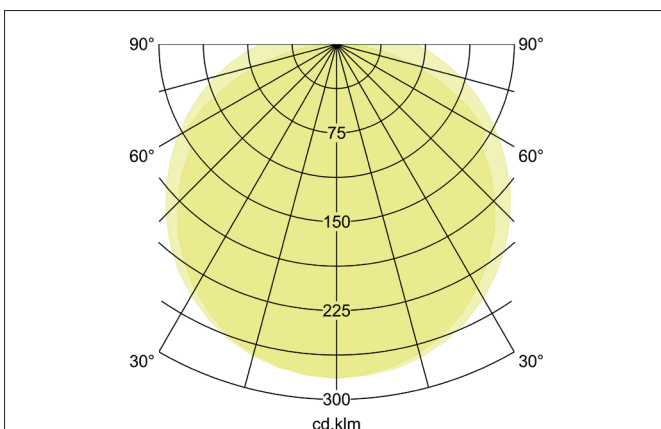
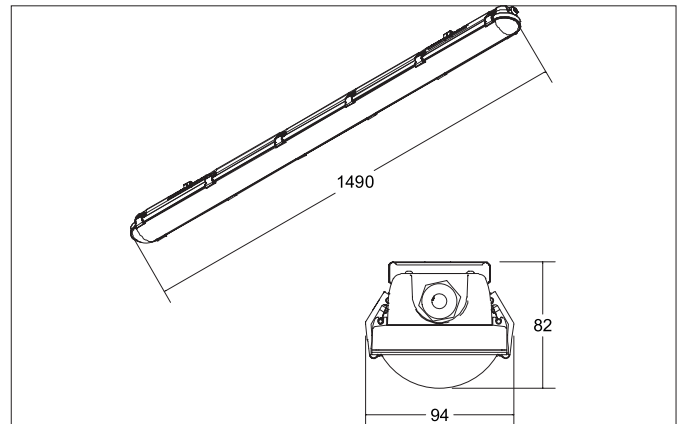


HUMID ONE LED surface mounted damp proof luminaire

Article no. 78015114

Light.
For Generations.**Tender**

LED surface mounted damp proof luminaire, Rectangular. Luminaire length 1490.0 mm, Luminaire width 94.0 mm, Height 82.0 mm Weight 1.936 kg, with rotationssymmetrical, deep, wide distributed light intensity. optimal light distribution due to a polycarbonat clear cover. Luminous flux 6.900 lm, Power 1 x 51 W, Light colour neutral white, Correlated color temprature (CCT) 4.000 K, Colour rendering index CRI > 80, Rated life time L70/B50 at 25 °C: 50.000 h, Rated life time L80/B50 at 25 °C: 50.000 h, Housing material: Polycarbonate / Stainless steel, Colour: Gray, Permissible ambient temperature (ta): -20 °C to +40 °C, Protection class (EN 61140): I, Degree of protection (DIN EN 60529): IP65, shock resistance according to IEC62262: IK08 .With electronic driver, on/off switchable.

Product Benefits

- 5 years Brumberg light guarantee.
- Long service life time: L80B50 > 50,000 h at +25 °C.
- High efficiency: up to 135 lm / watt.
- Planning security thanks to included accessories for any type of installation (ceiling and wall mounting and pendulum).
- Cover and LED board form a unit for quick and easy installation
- Pre-punching for different cable entries.
- Robust, impact-resistant housing made of polycarbonate with IK08.
- All metal attachments made of stainless steel (retaining clips, screws, etc.).
- Osram brand converter.
- Quick installation: through-wiring via cable harnesses 600/1,200/1,500 mm possible (optionally orderable).
- ENEC certified.

HUMID ONE LED surface mounted damp proof luminaire

Article no. 78015114

Light.
For Generations.

| Bestromung | Leistung | Lichtstrom |
|------------|----------|------------|
| 200 mA | 29 W | 3.625 lm |
| 250 mA | 36 W | 4.500 lm |
| 300 mA | 44 W | 5.500 lm |
| 350 mA | 51 W | 6.900 lm |

| Article data | |
|-------------------|---|
| Article no. | 78015114 |
| GTIN | 4251433951599 |
| Series name | HUMID ONE |
| Short description | LED surface mounted damp proof luminaire |
| Material | Polycarbonate / Stainless steel |
| Colour | Gray |
| Type of surface | Matt |
| Shape | Rectangular |
| Length | 1,490 mm |
| Width | 94 mm |
| Hight | 82 mm |
| Scope of delivery | <p>Delivery: incl. converter to connection to 230 V mains voltage, on/off switchable</p> <p>Delivery incl. mounting accessories set consisting of:</p> <ul style="list-style-type: none"> - 4 x locking screws for clip holders, - 2 x locking screws and nuts for universal mounting brackets, - 4 x (78012/78013 = 2 x) mounting screws and dowels, - 2 x Universal mounting bracket for wall, ceiling or pendulum mounting (required tabs for mounting in the mounting holder included). - 1 x IP65 cable gland PG13.5 (cable diameter Ø 6 - 12 mm) |
| Weight | 1.936 kg |

| Lighting technology | |
|---------------------|---------------|
| Colour temperature | 4.000 K |
| Light colour | White |
| Light output | Direct |
| Luminous flux | 6,900 lm |
| System efficiency | 135 lm/W |
| McAdam-Step | McAdam-Step 5 |
| Colour rendering | CRI > 80 |
| Beam angle | 117° |
| Light sharing | Symmetric |

HUMID ONE LED surface mounted damp proof luminaire

Article no. 78015114

Light.
For Generations.

| Operating technology of the luminaire | |
|---------------------------------------|--|
| System output | 51 W |
| Voltage type | AC |
| AC nominal voltage max | 230 V |
| Frequenz max. | 50 Hz |
| Lamp | LED |
| Lamp holder | Without fitting |
| Protection class | I |
| Degree of protection | IP65 |
| Ambient temperature | -20 °C up to +40 °C |
| Dimmable | No |
| Control | on/off |
| Bulb change possible | The light source of this luminaire may only be replaced by the manufacturer or a service technician commissioned by him or a similarly qualified person. |
| Glühdrahtprüfung nach IEC 60695-2-12 | 850°C - 5s |
| Rated life time L70/B50 at 25 °C | 50,000 h |
| Rated life time L80/B50 at 25 °C | 50.000 h |

| Operating technology of driver | |
|----------------------------------|----------|
| AC nominal voltage max | 230 V |
| Frequenz max. | 50 Hz |
| Protection class | I |
| Degree of protection | IP65 |
| max. Anz. Leuchten an C16 A | 38 |
| max. Anz. Leuchten an B16 A | 25 |
| Starting current | 29,9 |
| Power | 51 W |
| Suitable for emergency lighting | No |
| Control | on/off |
| Flickerfrei | Yes |
| Schaltzyklen | 50000 |
| Rated life time L70/B50 at 25 °C | 50,000 h |


| Mounting technology | |
|-----------------------------|--------------------------------|
| Mounting method | Surface mounting |
| Place of installation | Ceiling-/Wall-/Pendant-mounted |
| Adjustability | Not adjustable |
| Impact resistance | IK08 |
| stamp | ENEC 10 |
| Material cover | Polycarbonat clear |
| Circlip | Without circlip |
| Suitable for through-wiring | Yes, with optional accessories |

| Packing data | |
|-------------------------|---|
| Gross weight | 2.176 kg |
| Length of packaging | 1,500 mm |
| Packaging width | 103 mm |
| Packaging height | 83 mm |
| Disposal at end of life | This product must not be disposed of with household waste. You are obliged, to dispose of such electrical waste separately. By disposing of electrical waste and other old or defective electronics separately, you support recycling or other forms of re-use. In that way you help to take care and to avoid that harmful substances get into the environment. |

HUMID ONE LED surface mounted damp proof luminaire

Article no. 78015114

Light.
For Generations.

| Accessories | |
|---|---|
|  | <p>Article no.: 81011150 Through-wiring, 3-pole, length 1,500 mm, for 78013 / 78015</p> <p>Dimensions: 1,490 mm</p> |