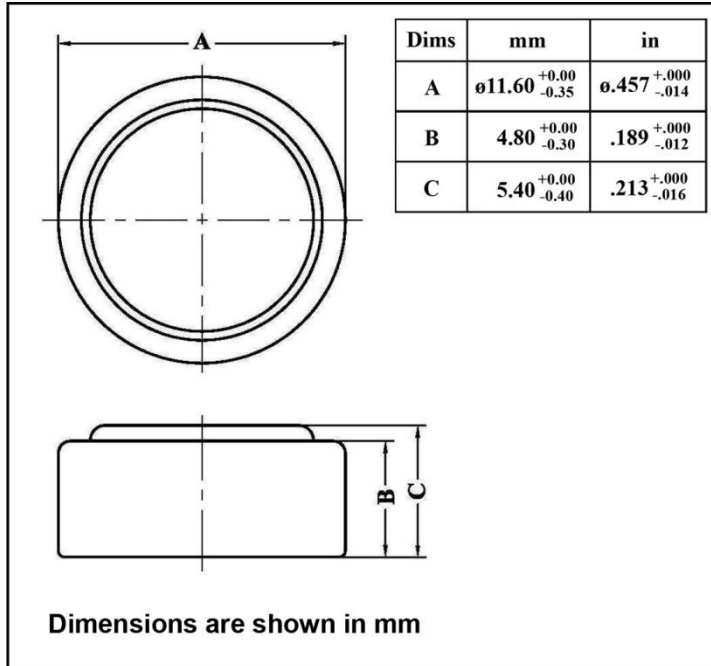


# DURACELL®

# 76A/LR44

Zinc/Manganese Dioxide Battery

Zn/MnO<sub>2</sub>

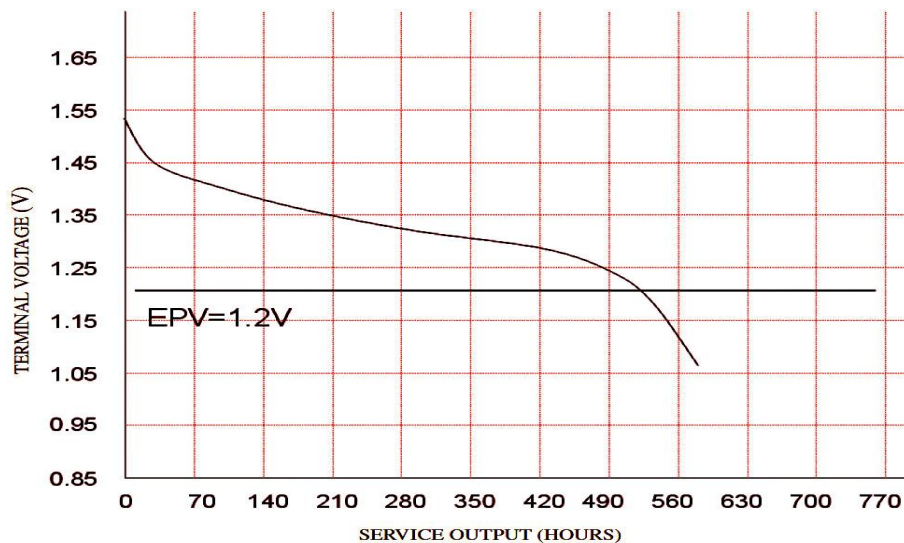


## SPECIFICATIONS

<b>Nominal Voltage:</b>	1.5 V
<b>Rated Capacity:</b>	105 mAh on 6.8 kΩ to 1.2 V
<b>Average Weight:</b>	1.98 g (0.070 oz.)
<b>Terminals:</b>	Flat
<b>Operating Temp. Range:</b>	-20°C – 54°C (-4°F – 130°F)
<b>NEDA/ANSI:</b>	1166A
<b>IEC:</b>	LR44

Discharge Characteristics

6.8 kΩ load for 24 hrs/day to 1.2V



# DURACELL®

BATTERIES

Berkshire Corporate Park Bethel,  
CT. 06801 U.S.A.  
Telephone: Toll-free 1-800-544-5454  
www.duracell.com

Delivered capacity is dependent on the applied load, operating temperature and cut-off voltage. Please refer to the charts and discharge data shown for examples of the energy/service life that the battery will provide for various load conditions.