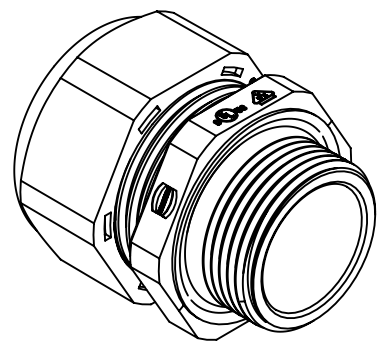
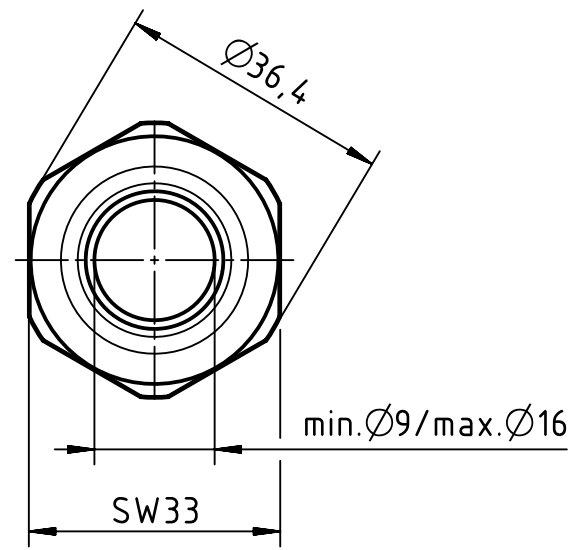
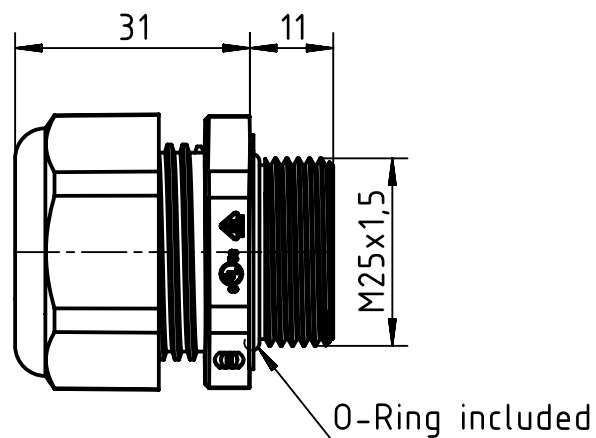



1 2 3 4 5 6

A  
B  
C  
D



	All rights reserved Department EL PD	All Dimensions in mm Original Size DIN A4		Scale 1:1	Free size tol.		Ref.		
		Created by 409921		Inspected by 404742		Standardisation		Date 11-Sep-2025	
HARTING D-32339 Espelkamp		Title Han CGM-P M25x1,5 D.9-16mm grey						State 40 - Released	
		Type TB		Design Number DS00180003		SAP Mat. Number 19000005190		Doc-Key / ECM-Nr. DS00180003	
						Rev. C		Page 1/1	