

wall mounting appliance inlet - with hinged cover



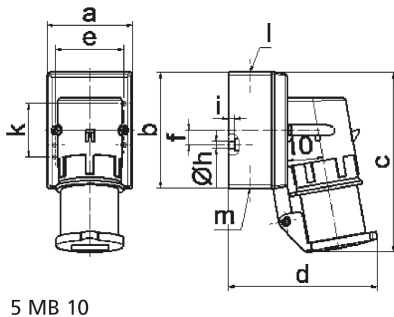
Product description	
BALS-Prd.-Nr	2465
EAN	4024941024655
Product category	Wall mounting appliance inlet
Current	16A
Number of poles	4p
Arrangement of phases	3P+PE
Position of earth contact	6 h
Voltage	380 - 415V~
Frequency	50/60Hz

Product description	
Protection degree	IP44
Colour code	red RAL 3000
Colour of appliance	Housing bottom grey RAL 7035, Housing top grey RAL 7035, Hinged lid grey RAL 7035, Collar red RAL 3000
Connection design	with screw terminal
Maximum conductor size	2,5 qmm
Cable entry	top entry M20
Height	150mm
Width	75mm
Depth	119mm
Dimension of enclosure	100x75 mm (HxW)
Material of enclosure	Polyamide
Contacts	The contacts are brass, The contact carrier is made of polyamide

Additional technical properties	
	The cable entry is one at top open and one at bottom and one rear side closed
	With hinged lid

Logistics data	
Weight/pcs	0.255 kg / Piece
Packaging	Bag

Logistics data	
Content amount	1 ST
EAN	4024941024655
Length	119 mm
Width	75 mm
Height	150 mm
Weight	0.256 kg
Volume	1,338.75 ccm
Packaging	Carton
Content amount	10 ST
EAN	4024941970877
Length	325 mm
Width	217 mm
Height	210 mm
Weight	2.756 kg
Volume	13,588.4 ccm



Ampere	16	16					
Polzahl	3	4					
a	64,0	75,0					
b	87,0	100,0					
c	138,0	150,0					
d	111,0	120,0					
e	51,0	59,0					
f	-	11,0					
h ø	4,1	5,1					
i	4,5	4,5					
k	40,0	-					
l	M20	M20					
m	für M20	für M20					
Leiter mm² min	1	1					
Leiter mm² max	2,5	2,5					