

wall mounting appliance inlet - with hinged cover



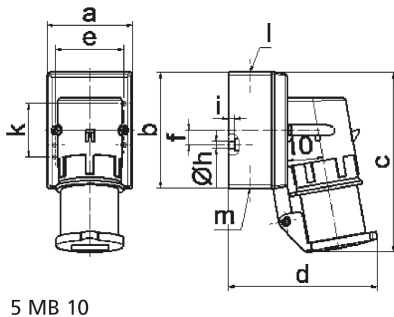
| Product description | |
|---------------------------|-------------------------------|
| BALS-Prd.-Nr | 2461 |
| EAN | 4024941024617 |
| Product category | Wall mounting appliance inlet |
| Current | 16A |
| Number of poles | 3p |
| Arrangement of phases | 2P+PE |
| Position of earth contact | 6 h |
| Voltage | 200 - 250V~ |
| Frequency | 50/60Hz |

| Product description | |
|------------------------|---|
| Protection degree | IP44 |
| Colour code | blue RAL 5015 |
| Colour of appliance | Housing bottom grey RAL 7035, Housing top grey RAL 7035, Hinged lid grey RAL 7035, Collar blue RAL 5015 |
| Connection design | with screw terminal |
| Maximum conductor size | 2,5 qmm |
| Cable entry | top entry M20 |
| Height | 135mm |
| Width | 64mm |
| Depth | 112mm |
| Dimension of enclosure | 87x64 mm (HxW) |
| Material of enclosure | Polyamide |
| Contacts | The contacts are brass, The contact carrier is made of polyamide |

| Additional technical properties | |
|---------------------------------|---|
| | The cable entry is one at top open and one at bottom and one rear side closed |
| | With hinged lid |

| Logistics data | |
|----------------|------------------|
| Weight/pcs | 0.205 kg / Piece |
| Packaging | Bag |

| Logistics data | |
|----------------|---------------|
| Content amount | 1 ST |
| EAN | 4024941024617 |
| Length | 112 mm |
| Width | 64 mm |
| Height | 135 mm |
| Weight | 0.206 kg |
| Volume | 967.68 ccm |
| Packaging | Carton |
| Content amount | 10 ST |
| EAN | 4024941967686 |
| Length | 258 mm |
| Width | 183 mm |
| Height | 212 mm |
| Weight | 2.202 kg |
| Volume | 8,750 ccm |



| | | | | | | |
|----------------------------|---------|---------|--|--|--|--|
| Ampere | 16 | 16 | | | | |
| Polzahl | 3 | 4 | | | | |
| a | 64,0 | 75,0 | | | | |
| b | 87,0 | 100,0 | | | | |
| c | 138,0 | 150,0 | | | | |
| d | 111,0 | 120,0 | | | | |
| e | 51,0 | 59,0 | | | | |
| f | - | 11,0 | | | | |
| h ø | 4,1 | 5,1 | | | | |
| i | 4,5 | 4,5 | | | | |
| k | 40,0 | - | | | | |
| l | M20 | M20 | | | | |
| m | für M20 | für M20 | | | | |
| Leiter mm ² min | 1 | 1 | | | | |
| Leiter mm ² max | 2,5 | 2,5 | | | | |