

Plug - with TE screw terminals for harsh applications

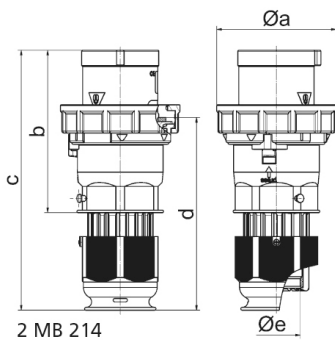


| Product description | |
|---------------------------|-------------------------|
| BALS-Prd.-Nr | 21059 |
| EAN | 4024941210591 |
| Product category | TE plug |
| Current | 125A |
| Number of poles | 5p |
| Arrangement of phases | 3p+N+PE |
| Position of earth contact | 5 h |
| Voltage | 347/600 up to 400/690V~ |
| Frequency | 50/60Hz |

| Product description | |
|------------------------|---|
| Protection degree | IP67 |
| Colour code | black RAL 9005 |
| Colour of appliance | Pusher grey RAL 7035, Collar black RAL 9005, Bayonet ring grey RAL 7035, Housing cover grey RAL 7035, Cable gland grey RAL 7035 |
| Connection design | screw terminal as box terminal |
| Maximum conductor size | 50.0 qmm |
| Cable entry | Cable gland |
| Height | 273mm |
| Width | 126mm |
| Depth | 126mm |
| Material of enclosure | Polyamide |
| Contacts | the contact carrier is made of high temperature resistant material, the contacts are brass nickel plated |

| Logistics data | |
|----------------|------------------|
| Weight/pcs | 1.245 kg / Piece |
| Packaging | Bag |
| Content amount | 1 ST |
| EAN | 4024941210591 |
| Length | 126 mm |
| Width | 126 mm |
| Height | 273 mm |

| Logistics data | |
|----------------|---------------|
| Weight | 1.246 kg |
| Volume | 4,334.148 ccm |
| Packaging | Carton |
| Content amount | 5 ST |
| EAN | 4024941822190 |
| Length | 345 mm |
| Width | 345 mm |
| Height | 217 mm |
| Weight | 6.56 kg |
| Volume | 24,276 ccm |



| Ampere | 125 | 125 | 125 | | | | |
|----------------------------|-------|-------|-------|--|--|--|--|
| Polzahl | 3 | 4 | 5 | | | | |
| a ø | 126,0 | 126,0 | 126,0 | | | | |
| b | 181,0 | 181,0 | 181,0 | | | | |
| c | 282,0 | 282,0 | 282,0 | | | | |
| d | 206,0 | 206,0 | 206,0 | | | | |
| e ø | 50,0 | 50,0 | 50,0 | | | | |
| Leiter mm ² min | 16 | 16 | 16 | | | | |
| Leiter mm ² max | 50 | 50 | 50 | | | | |
| | | | | | | | |
| | | | | | | | |
| | | | | | | | |
| | | | | | | | |

