

# Plug - INNOLINQ lead-free with QUICK-CONNECT and MULTI-GRIP



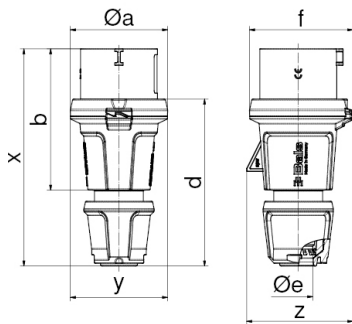
| Product description       |                  |
|---------------------------|------------------|
| BALS-Prd.-Nr              | 211              |
| EAN                       | 4024941345774    |
| Product category          | Plug INNOLINQ QC |
| Current                   | 16A              |
| Number of poles           | 3p               |
| Arrangement of phases     | 2P+PE            |
| Position of earth contact | 6 h              |
| Voltage                   | 200 - 250V~      |

| Product description    |  |
|------------------------|--|
| Frequency              | 50/60Hz  |
| Protection degree      | IP54   |
| Colour code            | blue RAL 5015  |
| Colour of appliance    | Collar blue RAL 5015, Cable gland dark grey RAL 7012, Housing cover dark grey RAL 7012     |
| Connection design      | screwless spring terminals with KONTEX-ULTRA contact                                       |
| Maximum conductor size | 2,5 qmm  |
| Cable entry            | Cable gland  |
| Height                 | 145mm  |
| Width                  | 59mm   |
| Depth                  | 64mm   |
| Material of enclosure  | Polyamide  |
| Contacts               | the contacts are brass, the contact carrier is made of high temperature resistant material |

| Additional technical properties |   |
|---------------------------------|---|
|                                 | this product is without any lead  |
|                                 | MULTI-GRIP cable gland with gasket and integrated strain relief, Screwless housing connection with snap fastening, For cable diameter from 8 up to max. 18 mm |

| Logistics data |                  |
|----------------|------------------|
| Weight/pcs     | 0.104 kg / Piece |
| Packaging      | Carton           |

| Logistics data |               |
|----------------|---------------|
| Content amount | 10 ST         |
| EAN            | 4024941345781 |
| Length         | 275 mm        |
| Width          | 175 mm        |
| Height         | 137 mm        |
| Weight         | 1.165 kg      |
| Volume         | 5,737.5 ccm   |



| Ampere                    | 16    | 16    | 32    | 32    | 32    |
|---------------------------|-------|-------|-------|-------|-------|
| Polzahl                   | 3     | 5     | 3     | 4     | 5     |
| ø a                       | 59,0  | 71,0  | 80,0  | 80,0  | 80,0  |
| b                         | 94,0  | 103,0 | 124,0 | 124,0 | 124,0 |
| d                         | 109,0 | 123,0 | 145,0 | 145,0 | 145,0 |
| ø e                       | 18,0  | 21,0  | 29,0  | 29,0  | 29,0  |
| f                         | 63,0  | 76,0  | 85,0  | 85,0  | 85,0  |
| x                         | 145,0 | 160,0 | 191,0 | 191,0 | 191,0 |
| y                         | 59,0  | 71,0  | 80,0  | 80,0  | 80,0  |
| z                         | 64,0  | 78,0  | 85,0  | 85,0  | 89,0  |
| Cond. mm <sup>2</sup> min | 1     | 1     | 2,5   | 2,5   | 2,5   |
| Cond. mm <sup>2</sup> max | 2,5   | 2,5   | 6,0   | 6,0   | 6,0   |

