

Plug TN - with cable gland with closure cap

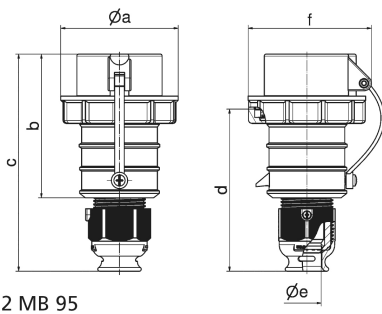


Product description	
BALS-Prd.-Nr	21220
EAN	4024941212205
Product category	QUICK-CONNECT TN plug
Current	16A
Number of poles	3p
Arrangement of phases	2P+PE
Position of earth contact	6 h
Voltage	200 - 250V~
Frequency	50/60Hz

Product description	
VG-type-no.:	VG 96919 CP 017
Supply no.:	5935-12-312-5515
Protection degree	IP67
Colour code	bronze-green RAL 6031-F9
Colour of appliance	Cable gland bronze-green RAL 6031-F9, Bayonet ring bronze-green RAL 6031-F9, Housing cover bronze-green RAL 6031-F9, Collar bronze-green RAL 6031-F9, Closure cap bronze-green RAL 6031-F9
Connection design	screwless spring-clamp technology
Maximum conductor size	2,5 qmm
Cable entry	Cable gland
Height	154mm
Width	70.5mm
Depth	76mm
Material of enclosure	Polyamide
Contacts	the contact carrier is made of high temperature resistant material, the contacts are brass nickel plated

Additional technical properties	
	For cable diameter from 8 up to max. 18 mm, MULTI-GRIP cable gland with gasket, integrated cable clamp and additional water evacuation openings
	With closure cap

Logistics data	
Weight/pcs	0.18 kg / Piece
Packaging	Bag
Content amount	1 ST
EAN	4024941212205
Length	76 mm
Width	70.5 mm
Height	154 mm
Weight	0.181 kg
Volume	825.132 ccm
Packaging	Carton
Content amount	10 ST
EAN	4024941942133
Length	245 mm
Width	177 mm
Height	185 mm
Weight	1.933 kg
Volume	7,140 ccm



2 MB 95

Ampere Polzahl	16 3	16 4	16 5	32 3	32 4	32 5
a ø	70,0	78,0	86,0	94,0	94,0	101,0
b	103,5	104,0	105,5	127,0	127,0	129,5
c	153,5	154,0	160,5	187,0	187,0	193,5
d	111,0	111,0	119,0	136,0	136,0	138,5
e ø	18,0	18,0	21,0	23,5	23,5	27,0
f	75,5	82,5	91,0	96,5	96,5	104,5
Leiter mm ² min	1,0	1,0	1,0	2,5	2,5	2,5
Leiter mm ² max	2,5	2,5	2,5	6,0	6,0	6,0