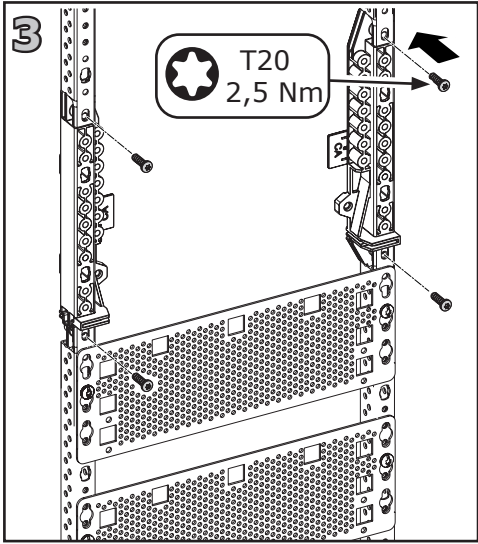
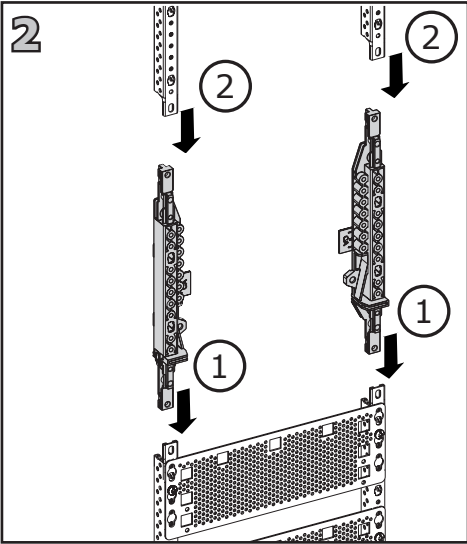
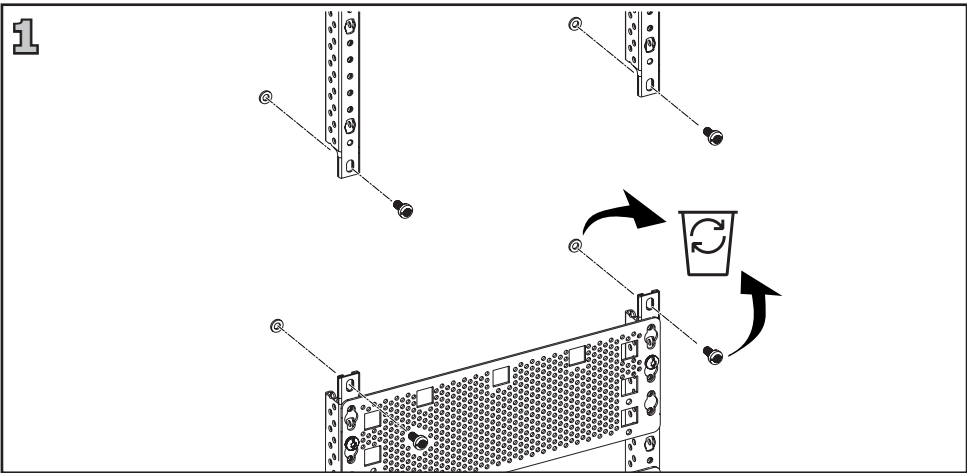
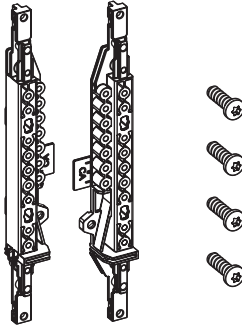
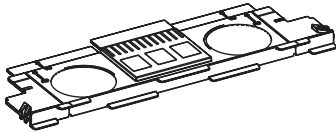
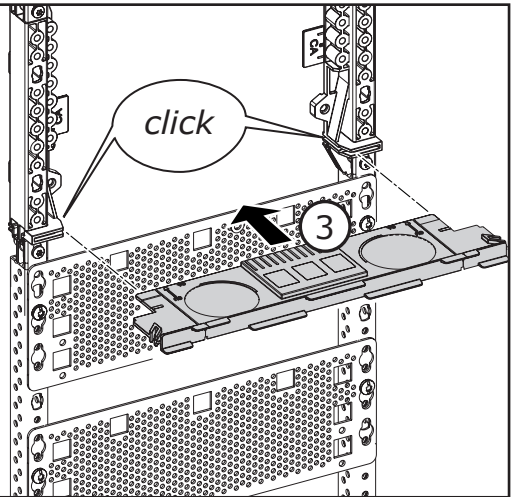
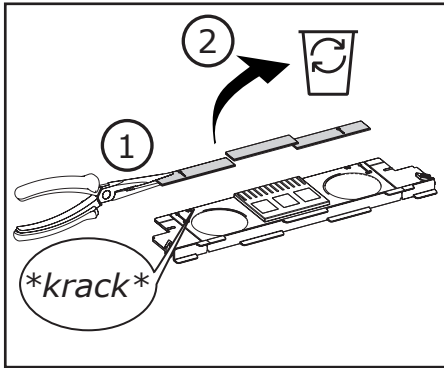


2CPT136386_A



4a  → CU...



4b  → CA...

