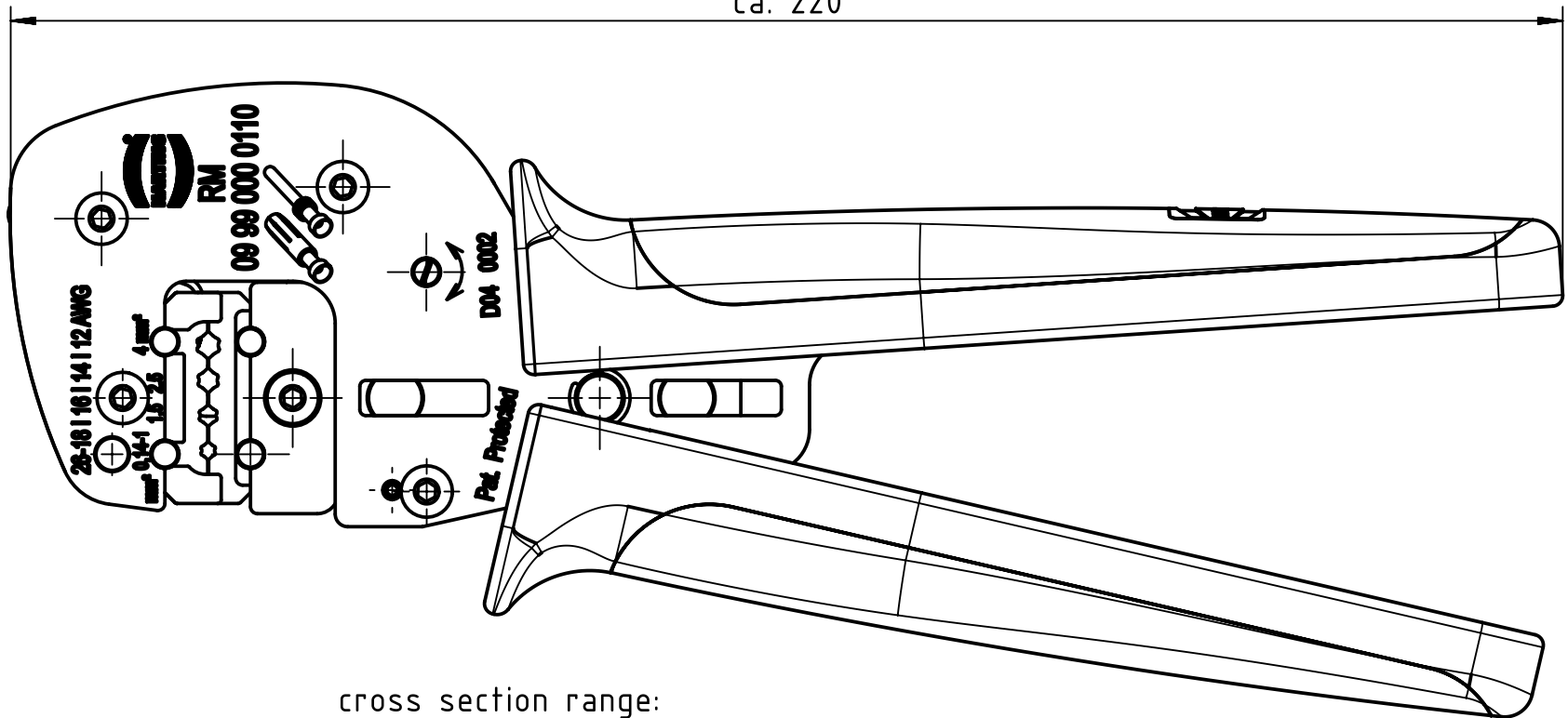
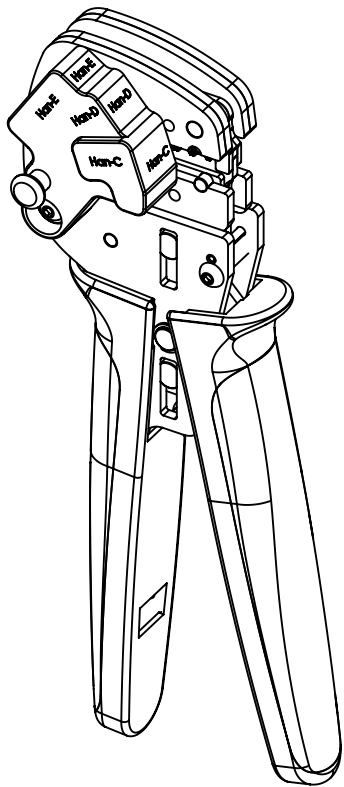


1 2 3 4 5 6

ca. 220



cross section range:

Profil 1 0,14-1,0mm² / AWG 26-18
 Profil 2 1,5mm² / AWG 16
 Profil 3 2,5mm² / AWG 14
 Profil 4 4,0mm² / AWG 12

Han D 0,14-1,5mm²
 Han E 0,5-4mm²
 Han C 1,5-4mm²

	All Dimensions in mm Original Size DIN A4		Scale 1:1	Free size tol.		Ref.
						Sub.
	All rights reserved		Created by RULLKOETTER	Inspected by SCHNIEDER	Standardisation RUETERA	Date 2018-05-28
	Department EL PD - DE					State Final Release
HARTING Electric GmbH & Co. KG D-32339 Espelkamp			Title Han Hand Crimp Tool			Doc-Key / ECM-Nr. 100090805/UGD/006/B 500000135696
			Type TB	Number 09 99 000 0110		Rev. B
						Page 1/1