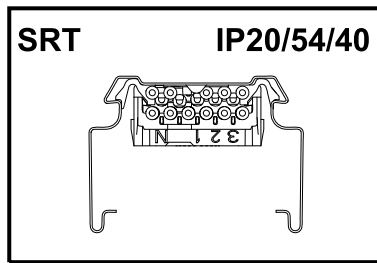


SRT-System 19... ..

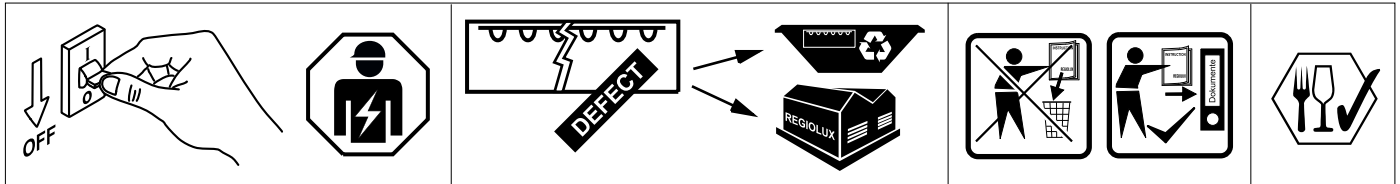
SRT 0750 7x2,5 qmm
 SRT 0750 11x2,5 qmm
 SRT 1500 7x2,5 qmm
 SRT 1500 5x2,5+6x1,5 qmm
 SRT 2250 7x2,5 qmm
 SRT 2250 5x2,5+6x1,5 qmm

SRT 0750 HFFR 7x2,5 qmm
 SRT 0750 HFFR 11x2,5 qmm
 SRT 1500 HFFR 7x2,5 qmm
 SRT 1500 HFFR 11x2,5 qmm
 SRT 2250 HFFR 7x2,5 qmm
 SRT 2250 HFFR 11x2,5 qmm

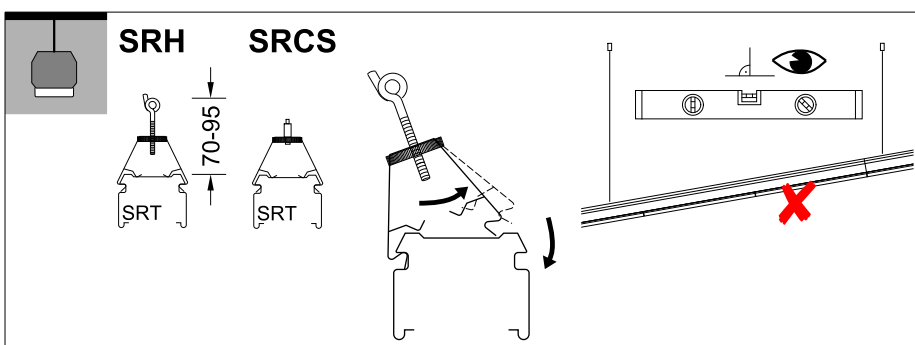
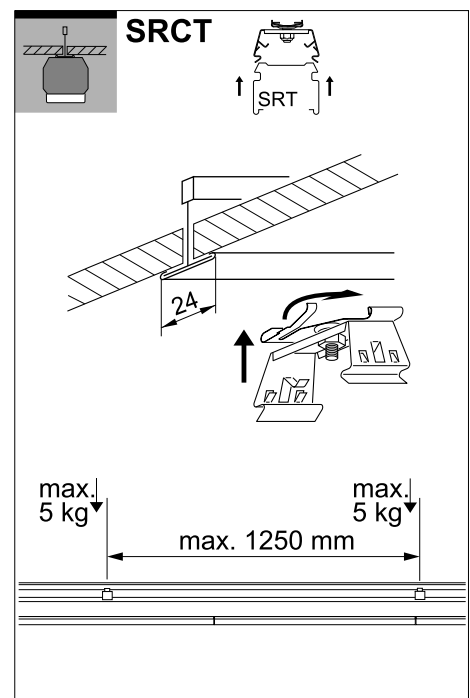
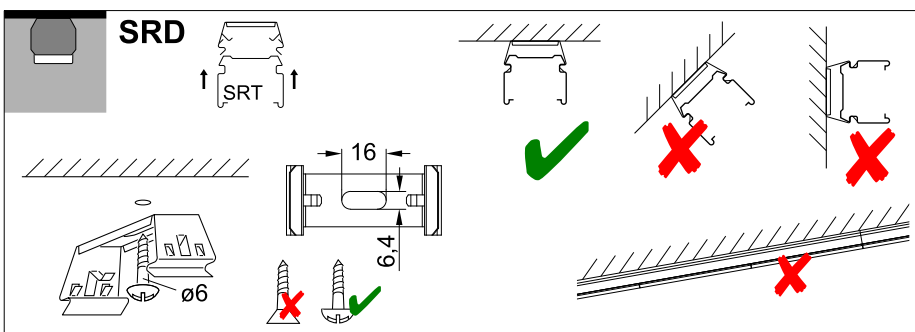
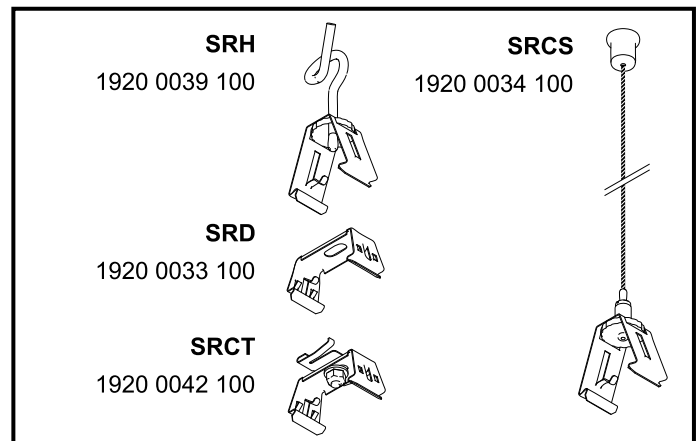


REGIOLUX

Regiolux GmbH
 Hellinger Str. 3
 D-97486 Königsberg/Bay.
 Telefon (0 95 25) 89-0
 Telefax (0 95 25) 89 73 4
<http://www.regiolux.de>
 e-Mail: info@regiolux.de

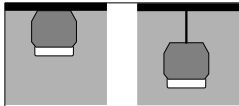


INSTRUCTION

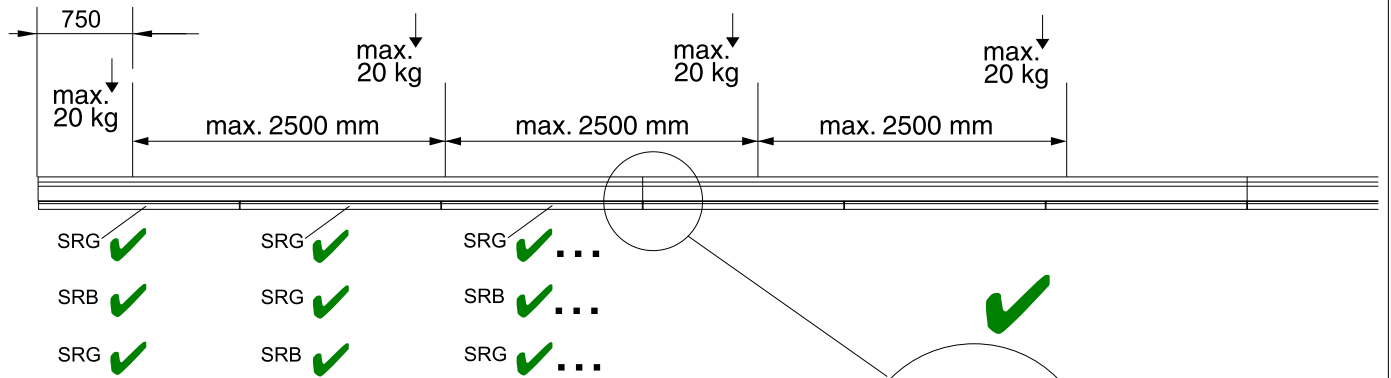


Art-Nr.: 532302 - 08/2023

INSTRUCTION

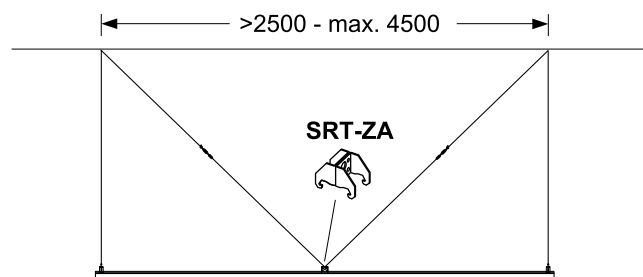
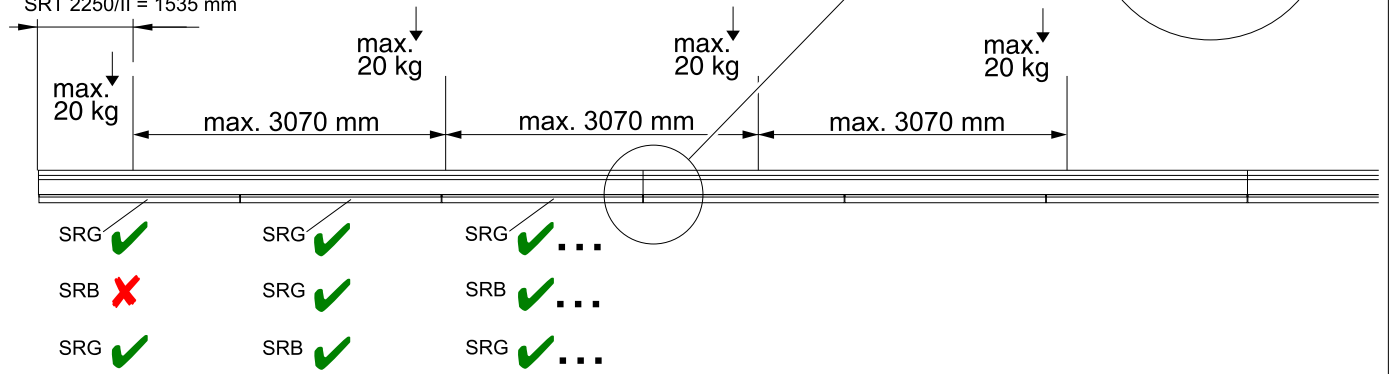


SRG... > 2,9 kg

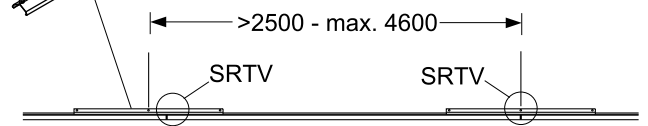


SRG.../1500 < 2,9 kg SRG.../2250

SRT 1500/I = 750 mm
SRT 1500/II = 1535 mm
SRT 1500/III = 1535 mm
SRT 2250/I = 1535 mm
SRT 2250/II = 1535 mm

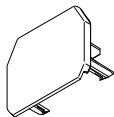


SRT-AP



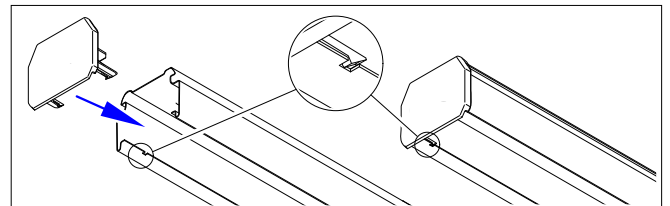
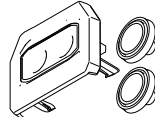
IP20

SRTE
1920 0231 10.



IP40 / IP54

SRTES
1920 0235 10.



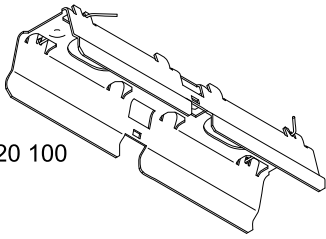
INSTRUCTION



IP20 / IP40

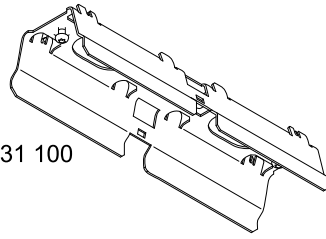
SRTV

1920 0020 100



SRTVL

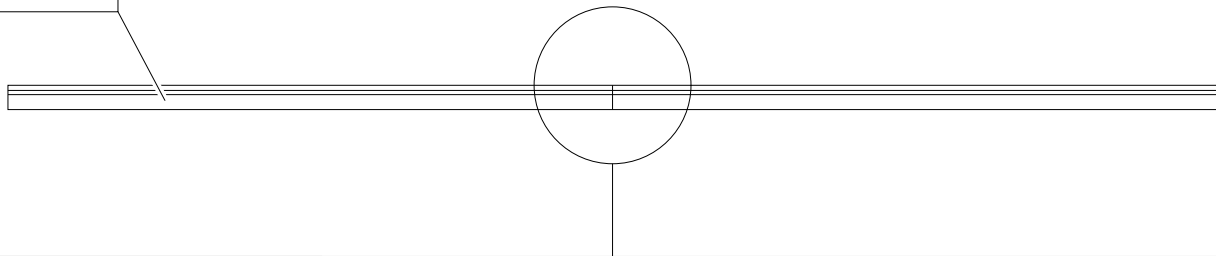
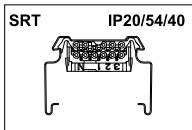
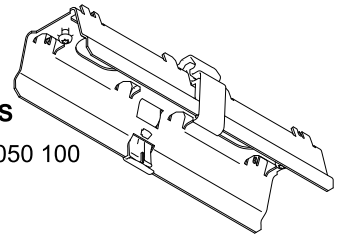
1920 0031 100



IP54

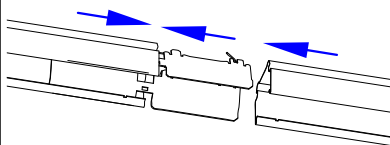
SRTVLS

1920 0050 100

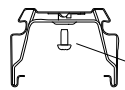


SRTV

1



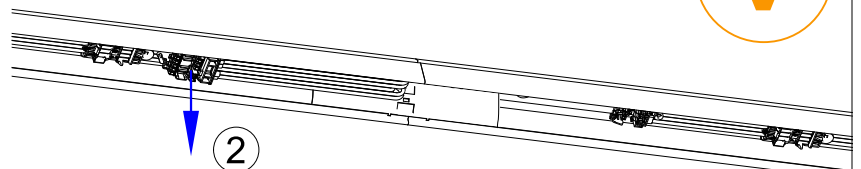
SRTVL/SRTVLS



max 2 Nm
Torx 20

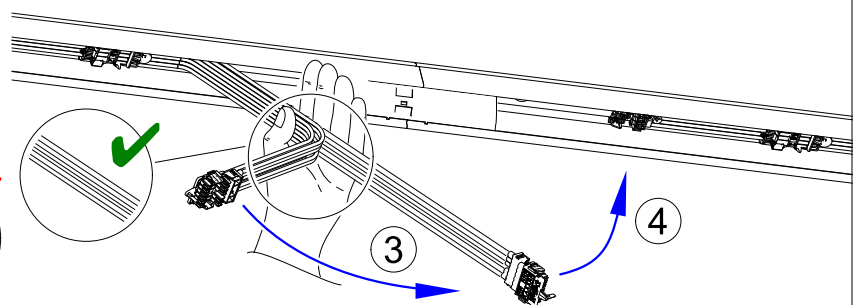


2

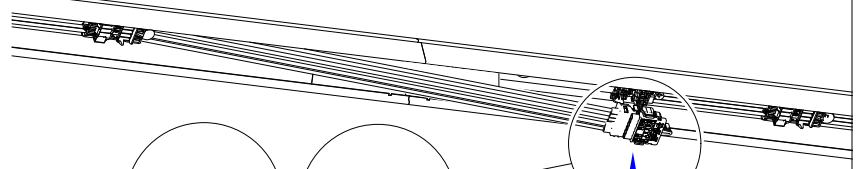


3

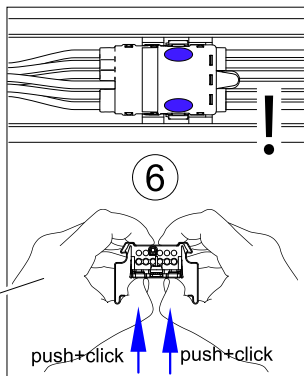
4



5

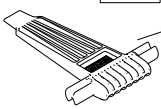


6

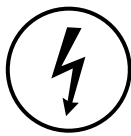


push+click push+click

optional
SRT/SDT-MT
19209000100



INSTRUCTION



INSTRUCTION	SRTA-11E 1920 0085 100		SRTA-7E 1920 0084 100	

INSTRUCTION	SRT-11A / SRT-7A 1920 008. 10.	

INSTRUCTION	SRT-11A/0500 INKL. SRBK+SRTVL 1920 0013 ...	SRT-11A/0500 INKL. SRBKS+SRTVLS IP54 1920 0015 ...
	SRT-7A/0500 INKL. SRBK+SRTVL 1920 0012 ...	
	IP20 / IP40	IP54

Option A

SRTA-7E
SRTA-11E

Version	SRT/... ✓
I I	SRT/...HFFR ✓
Version	SRT/... ✓
I	SRT/...HFFR ✗

Option B

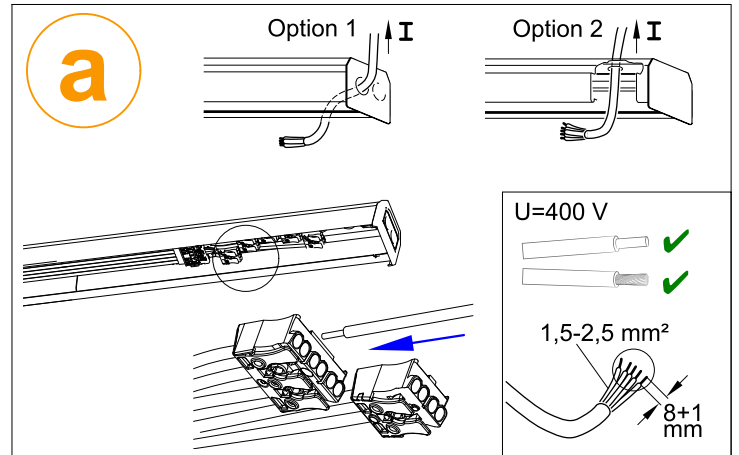
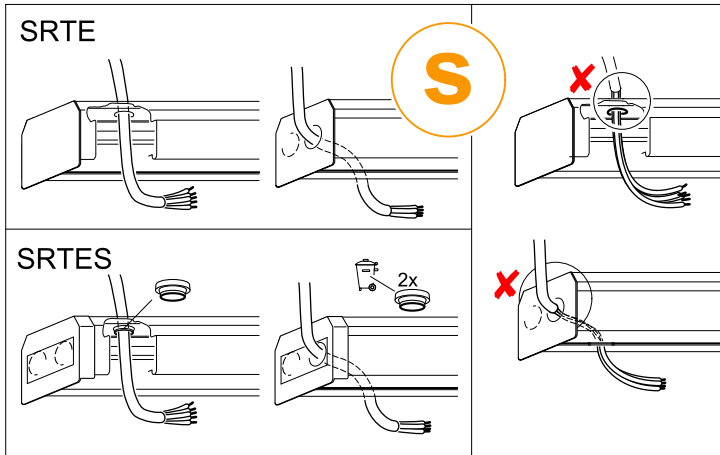
SRT-7A
SRT-11A

Version	SRT/... ✓
I ₁ I ₂	SRT/...HFFR ✓
Version	SRT/... ✓
I	SRT/...HFFR ✓

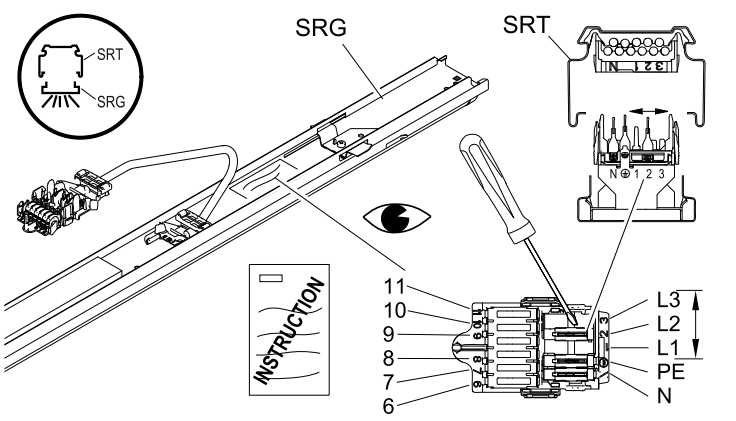
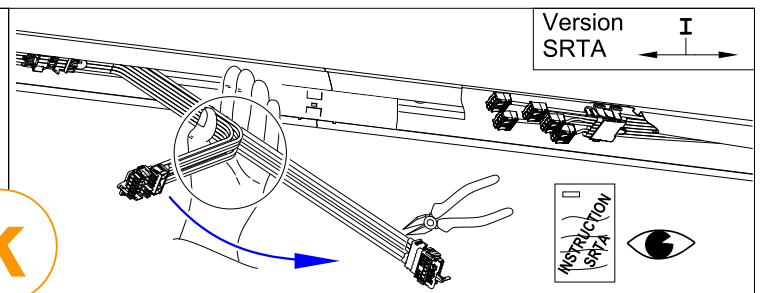
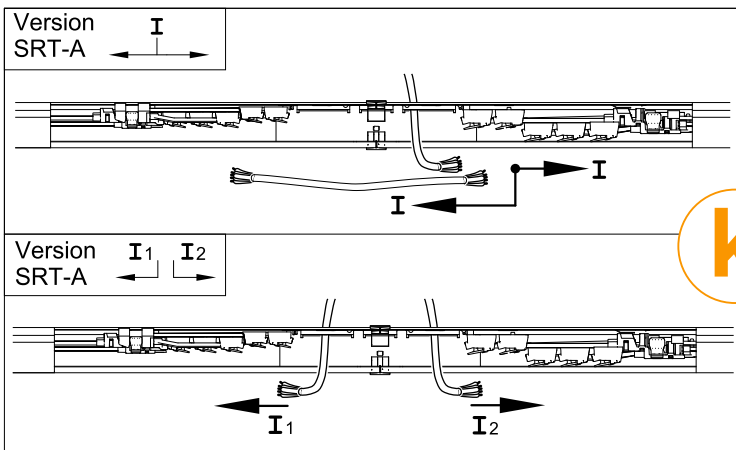
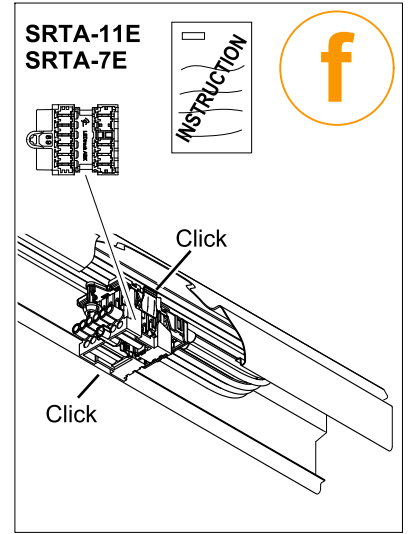
Option C

SRT/... ✓
SRT/...HFFR ✓

INSTRUCTION



Leitung	N	PE	I max.										
			1	2	3	6	7	8	9	10	11		
7 x 2,5mm ²	0		16 A	16 A	16 A						16 A	16 A	
5 x 2,5mm ² + 6 x 1,5mm ²	0		16 A	16 A	16 A	10 A	10 A	1 A	1 A	1 A	1 A	1 A	
11 x 2,5mm ²	0		16 A	16 A	16 A	10 A	10 A	1 A	1 A	1 A	1 A	1 A	



Demontage

