

panel mounting socket outlet, angled - flange 75x75,
fixing centers 60x60



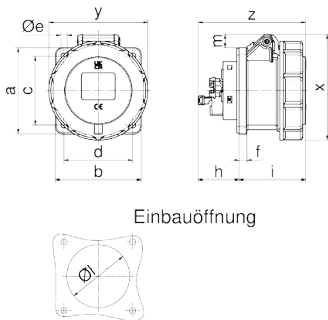
Product description	
BALS-Prd.-Nr	128121
EAN	4024941395212
Product category	Panel mounting socket outlet INNOLINQ QUICK-CONNECT angled
Current	16A
Number of poles	5p
Arrangement of phases	3p+N+PE
Position of earth contact	6 h
Voltage	200/346 - 240/415V~

Product description	
Frequency	50/60Hz
Protection degree	IP67
Colour code	red RAL 3000
Colour of appliance	Hinged lid red RAL 3000, Enclosure grey RAL 7035, Bayonet ring grey RAL 7035
Connection design	screwless spring terminals with KONTEX-ULTRA contact
Maximum conductor size	4,0 qmm
Cable entry	other
Height	82mm
Width	71mm
Depth	96mm
Flange size vertical in mm	75mm
Flange size horizontal in mm	75mm
Drill hole dist. vertical mm	60mm
Drill hole dist. horizontal mm	60mm
Material of enclosure	Polyamide
Contacts	The contacts are brass, The contact carrier is made of polyamide

Additional technical properties	
	The inclination is 20°, This product is without any lead

Logistics data	
Weight/pcs	0.19 kg / Piece
Packaging	Bag
Content amount	1 ST
EAN	4024941395212
Length	96 mm
Width	71 mm
Height	82 mm
Weight	0.191 kg
Volume	558.912 ccm
Packaging	Bag
Content amount	1 ST
EAN	4024941395212
Length	96 mm
Width	71 mm
Height	82 mm
Weight	0.191 kg
Volume	558.912 ccm
Packaging	Carton
Content amount	10 ST
EAN	4024941398060
Length	245 mm

Logistics data	
Width	177 mm
Height	185 mm
Weight	2.033 kg
Volume	7,140 ccm
Packaging	Carton
Content amount	10 ST
EAN	4024941398060
Length	245 mm
Width	177 mm
Height	185 mm
Weight	2.033 kg
Volume	7,140 ccm



4MB503

Ampere Poles	16 3	16 5	32 3	32 4	32 5
a	75,0	75,0	75,0	75,0	75,0
b	75,0	75,0	75,0	75,0	75,0
c	60,0	60,0	60,0	60,0	60,0
d	60,0	60,0	60,0	60,0	60,0
Øe	5,5	5,5	5,5	5,5	5,5
f	7,0	7,0	7,0	7,0	7,0
h	36,0	37,0	46,0	46,0	46,0
i	58,0	59,0	69,0	69,0	69,0
Øl	45,0	55,0	55,0	55,0	65,0
m	4,5	12,0	12,0	12,0	18,5
x	80,0	93,0	97,0	97,0	107,0
y	75,0	86,5	94,0	94,0	101,5
z	94,0	94,0	115,0	115,0	114,0

