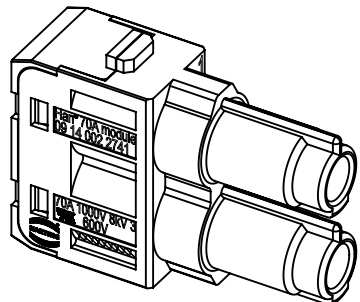
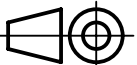



SW2,5

for stranded wire 6-16mm², AWG 10-6, fine wire



 All Dimensions in mm Original Size DIN A4	Scale	Free size tol.			Ref.	
	2:1				Sub.	
 All rights reserved Department EL PD	Created by	Inspected by	Standardisation	Date	State	
	SPRENB	NICHTERLEIN	SCHMIDTM	2018-09-06	Final Release	
HARTING Electric GmbH & Co. KG D-32339 Espelkamp	Title				Doc-Key / ECM-Nr. 100105329/UGD/010/E 500000139331	
	Han 70A axial module, female 6-16 mm ²					
	Type	Number			Rev.	Page
	TB	09 14 002 2741			E	1/1