

1

2

3

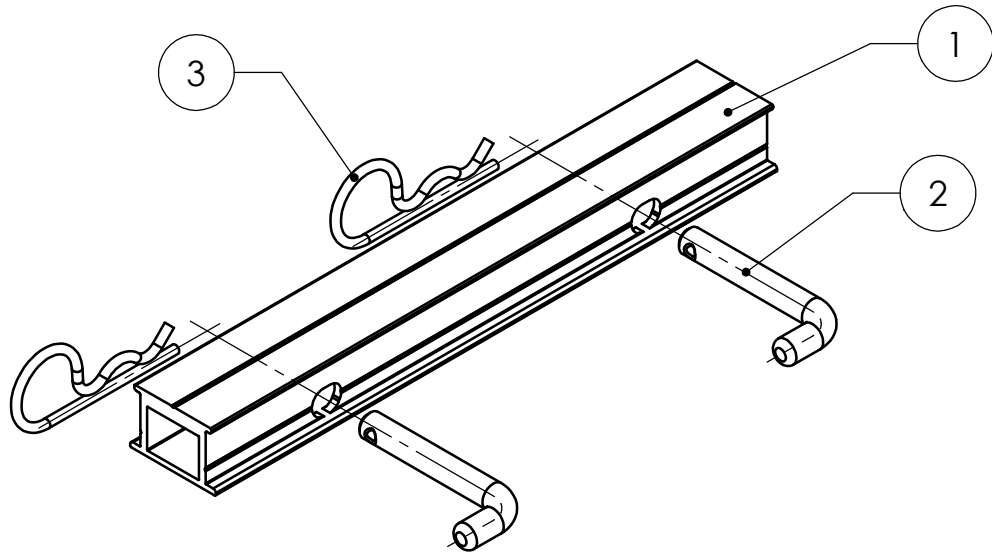
4

A

B

C

D



Pos.-No.	Designation	Material	Quantity
1	Dome 6.10 Connector	EN AW 6063 T66	1
2	Dome 6 Pin	1.4301	2
3	Dome 6 Spring plug DIN 11024 E - Ø2,8	EN 10270-1	2



K2 Systems GmbH
 Industriestr. 18
 71272 Renningen
 Germany
 +49 7159 42059-0

Designation:

Data sheet
 Dome 6.10 Connector Set

	Name	Date	Material:	Item no.:	2003251	A4
Designed	K. Mahboobi	22.05.2020	see table	Drawing no.:	07-465-04	All dimensions in mm
Approved	M. Wiggers	22.05.2020	Surface: -			Sheet 1 of 1
Last change	S. Frey	05.07.2021	Weight: ca. 214.2 g/pc	Scale: 1:2		

This drawing is the sole property of K2 Systems GmbH. It is protected by copyright and may only be copied, reproduced or distributed to a third party with explicit permission!