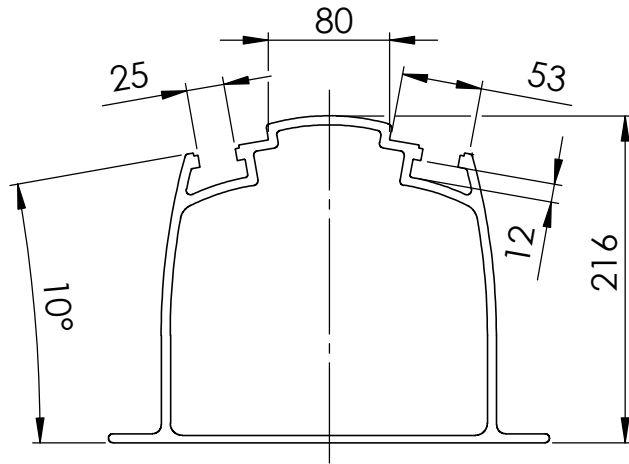


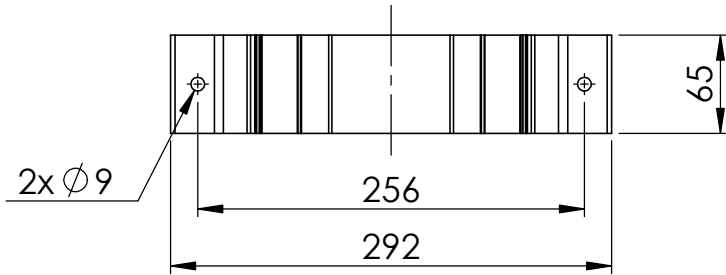
1 2 3 4

A

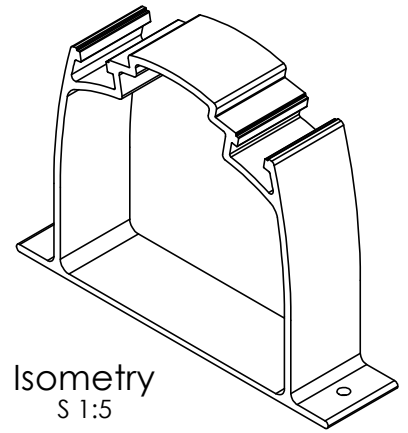
B



C

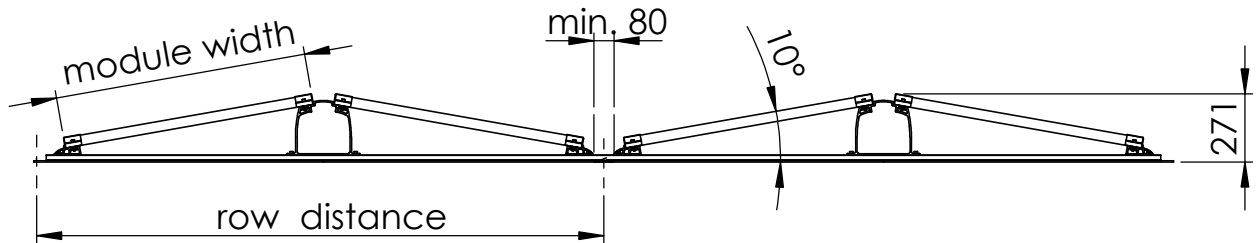


D



recommended distance between rows  
S 1:30

E



F



K2 Systems GmbH  
Industriestr. 18  
71272 Renningen  
07159/42059-0

Designation:

Data sheet  
D-Dome  
Dome D1000 2.0

	Name	Date	Material:	Item no.:	2001962	A4
Designed	S. Renz	04.02.2015	EN AW 6063 T66			
Approved	V. Schütz	20.02.2015	Surface: blank	Drawing no.:	07-089-04	All dimensions in mm
Last change	S. Frey	18.12.2019	Weight: ca. 989 g/pcs	Scale: 1:5 (1:30)		Sheet 1 of 1

This drawing is the sole property of K2 Systems GmbH. It is protected by copyright and may only be copied, reproduced or distributed to a third party with explicit permission!