

## Panel mounting socket outlet angled - flange 74x62 fixing centers 60x52

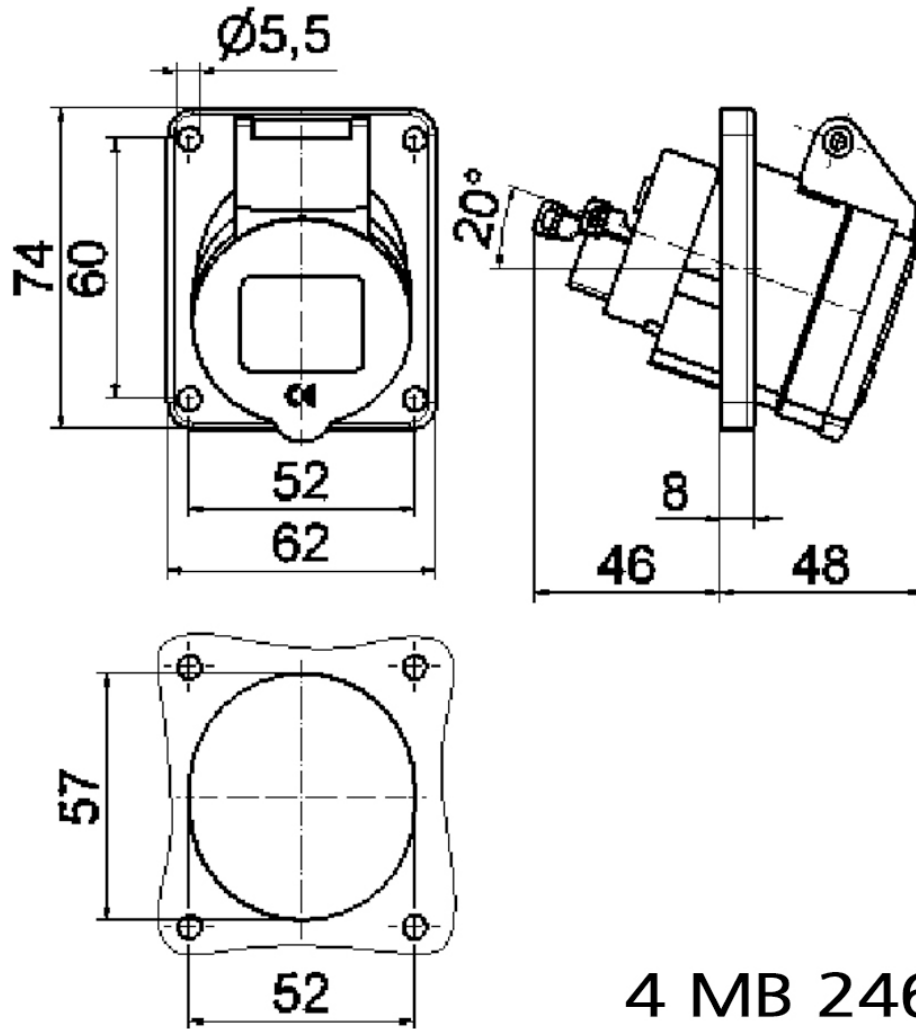


| Product description       |  |
|---------------------------|--|
| BALS-Prd.-Nr              | 12772  |
| EAN                       | 4024941127721                                      |
| Product category          | Panel mounting socket outlet QUICK-CONNECT, angled |
| Current                   | 16A  |
| Number of poles           | 3p   |
| Arrangement of phases     | 2P+PE  |
| Position of earth contact | 6 h  |
| Voltage                   | 200 - 250V~  |

| <b>Product description</b>     |  |
|--------------------------------|--|
| Frequency                      | 50/60Hz  |
| Protection degree              | IP44   |
| Colour code                    | blue RAL 5015  |
| Colour of appliance            | Hinged lid blue RAL 5015, Enclosure grey RAL 7035                |
| Connection design              | screwless spring terminals with KONTEX-contact                   |
| Maximum conductor size         | 4,0 qmm  |
| Cable entry                    | other  |
| Height                         | 77mm   |
| Width                          | 62mm   |
| Depth                          | 89mm   |
| Flange size vertical in mm     | 74mm   |
| Flange size horizontal in mm   | 62mm   |
| Drill hole dist. vertical mm   | 60mm   |
| Drill hole dist. horizontal mm | 52mm   |
| Material of enclosure          | Polyamide  |
| Contacts                       | the contact carrier is made of polyamide, the contacts are brass |

| <b>Additional technical properties</b> |                        |
|--|------------------------|
|  | The inclination is 20° |

| Logistics data |                  |
|----------------|------------------|
| Weight/pcs     | 0.106 kg / Piece |
| Packaging      | Bag              |
| Content amount | 1 ST             |
| EAN            | 4024941127721    |
| Length         | 89 mm            |
| Width          | 62 mm            |
| Height         | 77 mm            |
| Weight         | 0.107 kg         |
| Volume         | 424.886 ccm      |
| Packaging      | Carton           |
| Content amount | 10 ST            |
| EAN            | 4024941828017    |
| Length         | 207 mm           |
| Width          | 162 mm           |
| Height         | 142 mm           |
| Weight         | 1.16 kg          |
| Volume         | 3,750 ccm        |



4 MB 246