

Connector - with TE screw terminals for harsh applications



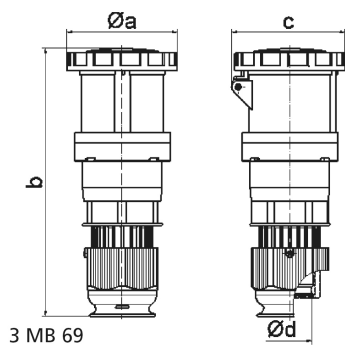
| Product description | |
|---------------------------|---------------|
| BALS-Prd.-Nr | 31641 |
| EAN | 4024941316415 |
| Product category | TE connector |
| Current | 125A |
| Number of poles | 5p |
| Arrangement of phases | 3p+N+PE |
| Position of earth contact | 1 h |

| Product description | |
|------------------------|--|
| Voltage | > 50V for all other not classified voltages and/or frequencies. This time position can additionally process in special applications, in which a distinction to standardized positions needed to be used. |
| Protection degree | IP67 |
| Colour code | grey RAL 7035 |
| Colour of appliance | Hinged lid grey RAL 7035, Bayonet ring grey RAL 7035, Housing cover grey RAL 7035, Cable gland grey RAL 7035, Collar grey RAL 7035 |
| Connection design | screw terminal as box terminal with Kontex-contact |
| Maximum conductor size | 50.0 qmm |
| Cable entry | Cable gland |
| Height | 295mm |
| Width | 125mm |
| Depth | 128mm |
| Material of enclosure | Polycarbonate + Polyester |
| Contacts | the contact carrier is made of high temperature resistant material, the contacts are brass nickel plated |

| Additional technical properties | |
|---------------------------------|--|
| | For cable diameter from 26 up to max. 50 mm, MULTI-GRIP cable gland with gasket, integrated cable clamp and additional water evacuation openings |

| Logistics data | |
|----------------|-----------------|
| Weight/pcs | 1.37 kg / Piece |

| Logistics data | |
|----------------|---------------|
| Packaging | Bag |
| Content amount | 1 ST |
| EAN | 4024941316415 |
| Length | 128 mm |
| Width | 125 mm |
| Height | 295 mm |
| Weight | 1.371 kg |
| Volume | 4,720 ccm |
| Packaging | Carton |
| Content amount | 5 ST |
| EAN | 4024941836388 |
| Length | 345 mm |
| Width | 345 mm |
| Height | 217 mm |
| Weight | 7.185 kg |
| Volume | 24,276 ccm |



| | | | | | | | | | |
|----------------------------|-------|-------|-------|--|--|--|--|--|--|
| Ampere | 125 | 125 | 125 | | | | | | |
| Polzahl | 3 | 4 | 5 | | | | | | |
| a ø | 125,0 | 125,0 | 125,0 | | | | | | |
| b | 300,0 | 300,0 | 300,0 | | | | | | |
| c | 128,0 | 128,0 | 128,0 | | | | | | |
| d ø | 50,0 | 50,0 | 50,0 | | | | | | |
| Leiter mm ² min | 16 | 16 | 16 | | | | | | |
| Leiter mm ² max | 50 | 50 | 50 | | | | | | |
| | | | | | | | | | |
| | | | | | | | | | |
| | | | | | | | | | |
| | | | | | | | | | |
| | | | | | | | | | |