

## Plug domestic type - with cable gland with closure cap



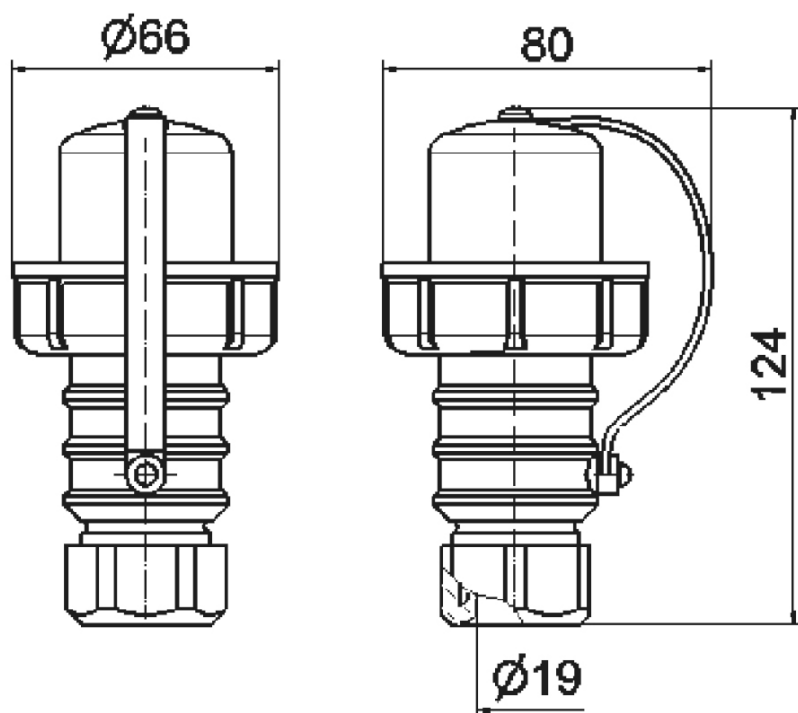
| Product description   |               |
|-----------------------|---------------|
| BALS-Prd.-Nr          | 736           |
| EAN                   | 4024941007368 |
| Product category      | Domestic plug |
| Current               | 16A           |
| Number of poles       | 3p            |
| Arrangement of phases | 2P+PE         |
| Voltage               | 250V~         |
| Frequency             | AC            |
| Protection degree     | IP67          |

| Product description    |  |
|------------------------|--|
| Colour code            | blue RAL 5015  |
| Colour of appliance    | Collar black RAL 9005, Cable gland grey RAL 7035, Housing cover blue RAL 5015  |
| Connection design      | with screw terminal  |
| Maximum conductor size | 2,5 qmm  |
| Cable entry            | with cable gland   |
| Height                 | 124mm  |
| Width                  | 80mm   |
| Depth                  | 66mm   |
| Material of enclosure  | plastic  |
| Contacts               | the contact carrier is made of polyamide, the contacts are brass nickel plated |

| Additional technical properties |   |
|---------------------------------|---|
|                                 | also suitable for Belgian/French standard                                   |
|                                 | For cable diameter up to max. 14,0 mm, With cable gland, With hammer symbol |
|                                 | With closure cap  |

| Logistics data |                  |
|----------------|------------------|
| Weight/pcs     | 0.164 kg / Piece |
| Packaging      | Bag              |
| Content amount | 1 ST             |
| EAN            | 4024941007368    |

| Logistics data |               |
|----------------|---------------|
| Length         | 66 mm         |
| Width          | 80 mm         |
| Height         | 124 mm        |
| Weight         | 0.165 kg      |
| Volume         | 654.72 ccm    |
| Packaging      | Carton        |
| Content amount | 10 ST         |
| EAN            | 4024941959162 |
| Length         | 275 mm        |
| Width          | 175 mm        |
| Height         | 137 mm        |
| Weight         | 1.765 kg      |
| Volume         | 5,737.5 ccm   |



18 MB 18