

panel mounting appliance inlet - without closure cap

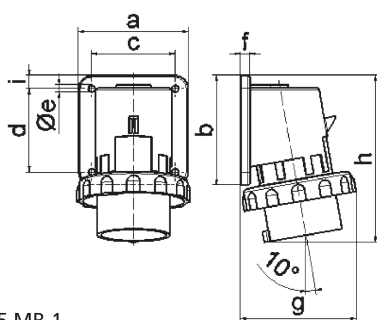


Product description	
BALS-Prd.-Nr	2665
EAN	4024941026659
Product category	Surface mounting appliance inlet
Current	32A
Number of poles	3p
Arrangement of phases	2P+PE
Position of earth contact	6 h
Voltage	200 - 250V~
Frequency	50/60Hz

Product description	
Protection degree	IP67
Colour code	blue RAL 5015
Colour of appliance	Bayonet ring grey RAL 7035, Enclosure grey RAL 7035, Collar blue RAL 5015
Connection design	with screw terminal
Maximum conductor size	6,0 qmm
Cable entry	other
Height	137mm
Width	94mm
Depth	98mm
Flange size vertical in mm	75mm
Flange size horizontal in mm	90mm
Drill hole dist. vertical mm	45mm
Drill hole dist. horizontal mm	78mm
Material of enclosure	Polyamide
Contacts	The contact carrier is made of polyamide, the contacts are brass nickel plated

Logistics data	
Weight/pcs	0.246 kg / Piece
Packaging	Bag
Content amount	1 ST
EAN	4024941026659

Logistics data	
Length	98 mm
Width	94 mm
Height	137 mm
Weight	0.247 kg
Volume	1,262.044 ccm
Packaging	Carton
Content amount	10 ST
EAN	4024941818957
Length	325 mm
Width	217 mm
Height	210 mm
Weight	2.666 kg
Volume	13,588.4 ccm



Ampere	16	16	16	32	32	32
Polzahl	3	4	5	3	4	5
a	74,0	75,0	84,0	90,0	90,0	90,0
b	84,0	100,0	84,0	75,0	75,0	75,0
c	58,0	62,0	64,0	78,0	78,0	78,0
d	64,0	74,0	64,0	45,0	45,0	45,0
e ø	5,5	4,3	5,5	5,5	5,5	5,5
f	12,0	12,0	7,0	7,0	7,0	7,0
g	80,0	88,0	90,0	100,0	100,0	101,0
h	128,0	145,0	129,0	138,0	138,0	139,0
i	-	-	10,0	13,0	13,0	13,0
Leiter mm ² min	1	1	1	2,5	2,5	2,5
Leiter mm ² max	2,5	2,5	2,5	6	6	6