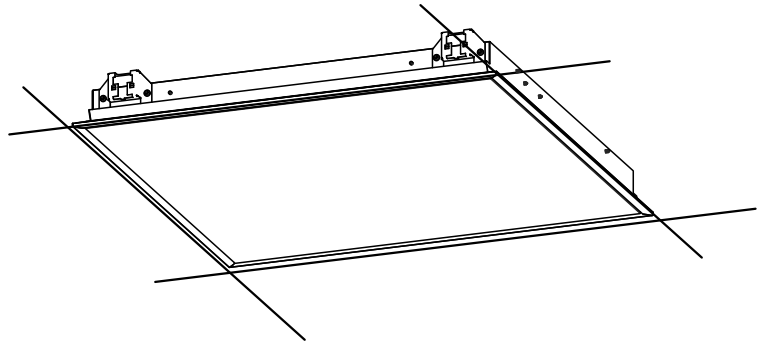




**CL2 S SG**

- M600Q/L LDO
- M625Q/L LDO

- MP (wide beam)
- MPA (asymmetric beam)
- BC, BM
- MWBM, MWCF
- SW, TW, GBW
- IP54
- Emergency (self-contained and centrally supplied)



**EN Mounting instructions**

Important notices. Please, read first! Keep the instructions safe! Specifications are subject to change without notice! If you have questions, please contact the manufacturer.

**DE Montageanleitung**

Wichtige Hinweise. Bitte zuerst lesen! Anleitung aufbewahren! Technische Änderungen vorbehalten! Bei Fragen wenden Sie sich an den Hersteller.

**FR Notice de montage**

Remarques importantes. À lire en premier lieu! Conservez cette notice! Modifications techniques sans préavis! Si vous avez des questions, veuillez contacter le fabricant.

**IT Istruzioni di montaggio**

Nota importanti. Si prega di leggere prima! Conservare le istruzioni! Modifiche tecniche senza preavviso! Per chiarimenti rivolgersi al produttore.

**ES Instrucciones de montaje**

Notas importantes. Por favor, lea primero! ¡Guarde las instrucciones! ¡Reservado el derecho de realizar modificaciones técnicas sin preaviso! Si tiene alguna pregunta, póngase en contacto con el fabricante.

**NL Montagehandleiding**

Belangrijke informatie. Gelieve eerst te lezen! Houd deze gebruiksaanwijzingen zorgvuldig bij! Technische wijzigingen blijven voorbehouden! Als u vragen hebt, kan u contact opnemen met de fabrikant.

**SV Installationsanvisning**

Viktigt information. Läs först! Spara anvisningen! Med reservation för tekniska ändringar! Om du har frågor ber vi dig ta kontakt med tillverkaren.

**FI Asennusohje**

Tärkeä huomautus. Lue ensin! Säilytä käyttöopas! Oikeudet teknisiin muutoksiin pidätetään! Lähetä mahdolliset kysymykset valmistajalle.

**RU Инструкция по монтажу**

Важная информация. Просьба ознакомиться перед началом работ! Сохраняйте инструкцию! Компания сохраняет за собой право на внесение технических изменений. При возникновении вопросов обращайтесь к производителю.

**PL Instrukcja montażu**

Ważne wskazówki/ uwagi. Proszę pierwsze przeczytać całość instrukcji. Proszę zachować instrukcje! Zastrzega się prawo do wprowadzania zmian technicznych. W razie pytań skontaktuj się z producentem.

**ZH 安装说明**

重要提示。请先阅读！保留本说明！请勿执行技术变动！如有问题，请咨询制造商。

**AR**

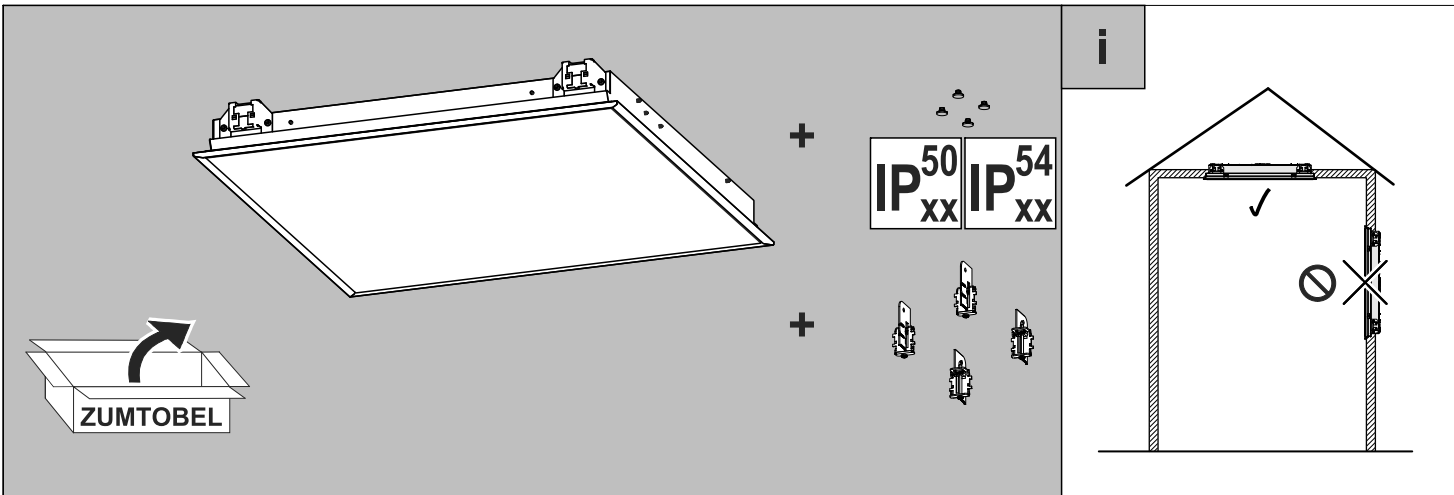
تعليمات التركيب

ملاحظات هامة. يرجى القراءة أولاً!

إبقاء التعليمات!

تخضع المواصفات للتغيير دون تقديم إشعار!

إذا كان لديك أسئلة، الرجاء الاتصال بالشركة المصنعة.



**i** **M600Q/M625Q**

10,7 kg

13,7 kg

**M600L/M625L**

12,1 kg

13,9 kg

**i** **MOUNTING OPTION**  
levelling (use of NIV Set)

**i**

www.zumtobel.com

20935455

**i** **OVERVIEW**

**OPTION!**

**(8)**  
OPTION emergency pages 8-9

**(9)**  
OPTION sensors pages 10-12

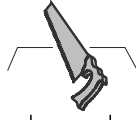
**(i)**  
DISMOUNTING page 15

**i**

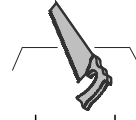
	L	W	L <sub>g</sub>	W <sub>g</sub>	H <sub>1</sub>	H <sub>2</sub>	H <sub>3</sub>
M600Q	598	598	577	577	60	75	100
M625Q	623	623	602	602	60	75	100



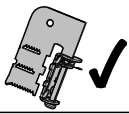
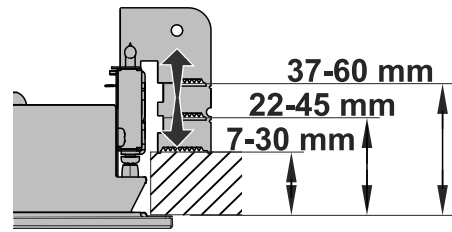
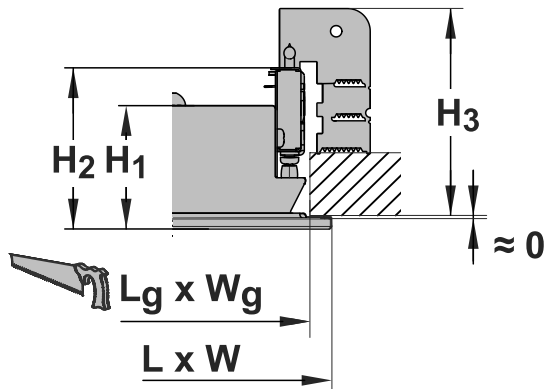
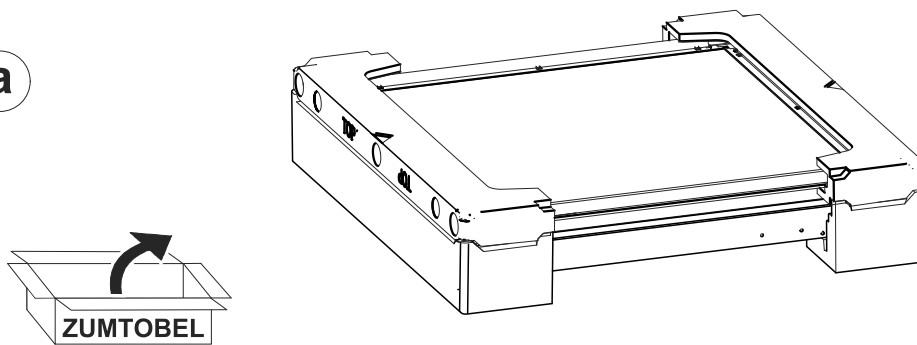
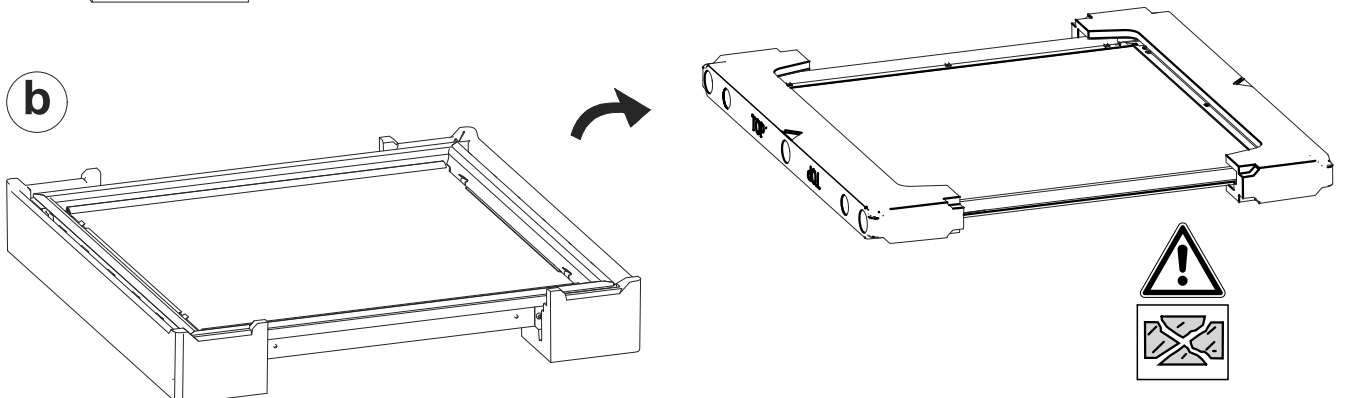
	L	W	L <sub>g</sub>	W <sub>g</sub>	H <sub>1</sub>	H <sub>2</sub>	H <sub>3</sub>
M600L	1198	298	1177	277	60	75	100
M625L	1248	310	1227	289	60	75	100

**OPTION IP54**

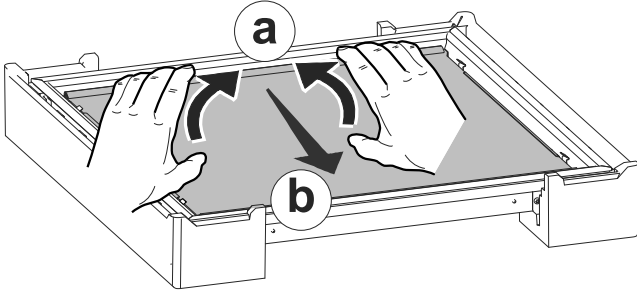
	L	W	L <sub>g</sub>	W <sub>g</sub>	H <sub>1</sub>	H <sub>2</sub>	H <sub>3</sub>
M600Q	598	598	581	581	61	75	100
M625Q	623	623	606	606	61	75	100

**OPTION IP54**

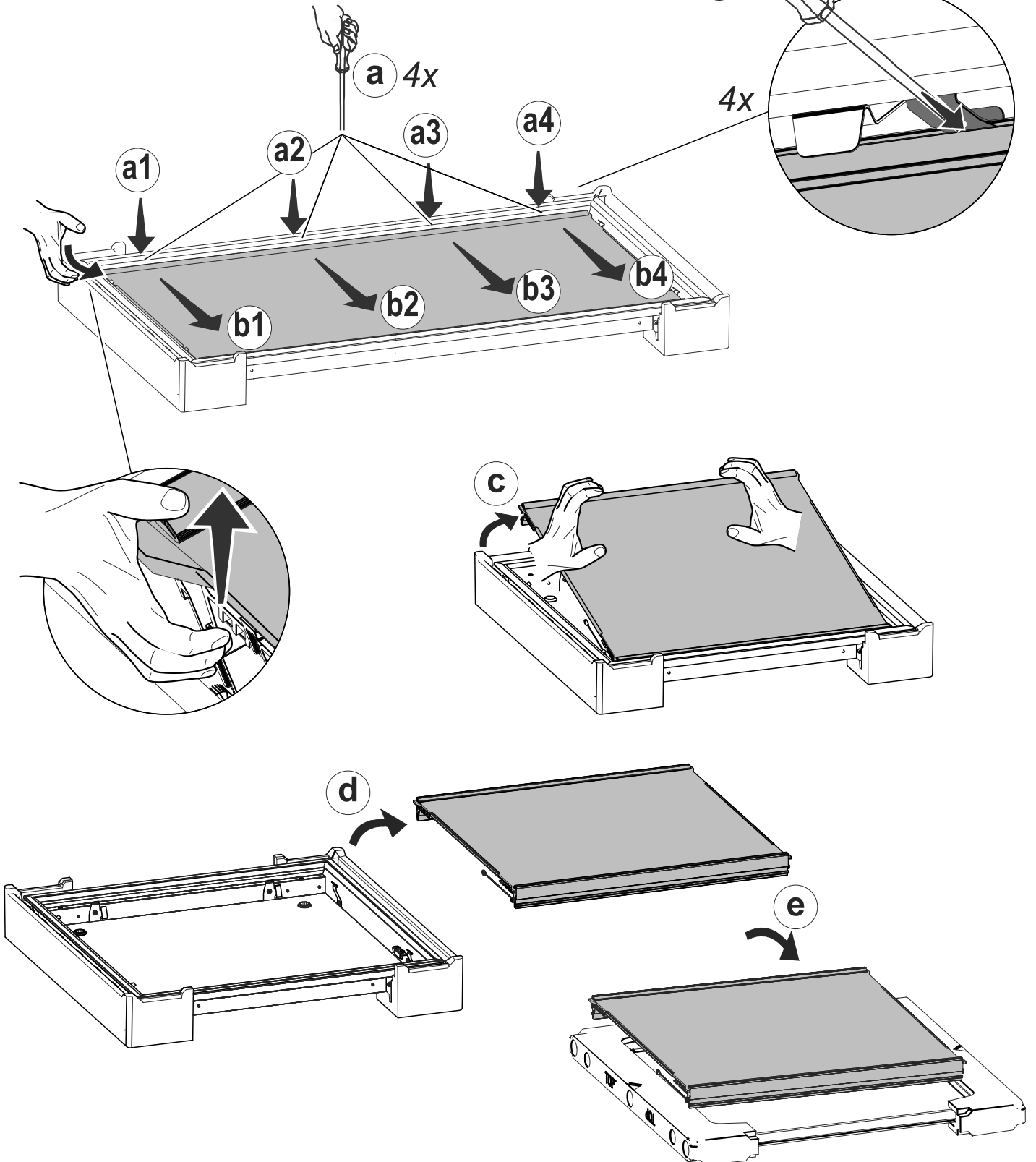
	L	W	L <sub>g</sub>	W <sub>g</sub>	H <sub>1</sub>	H <sub>2</sub>	H <sub>3</sub>
M600L	1198	298	1181	281	61	75	100
M625L	1248	310	1231	293	61	75	100

**MOUNTING OPTION  
levelling (use of NIV Set)****1****a****b**

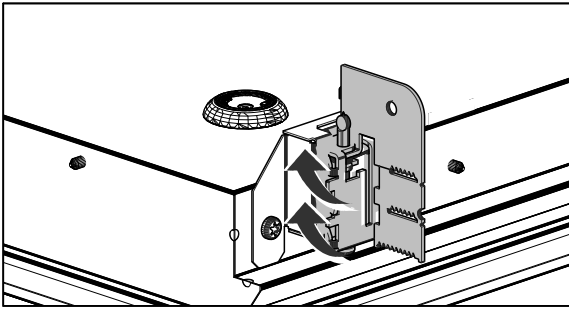
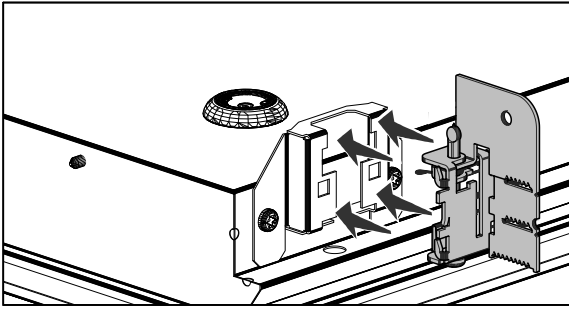
**2 CL2 M600Q/M625Q:**



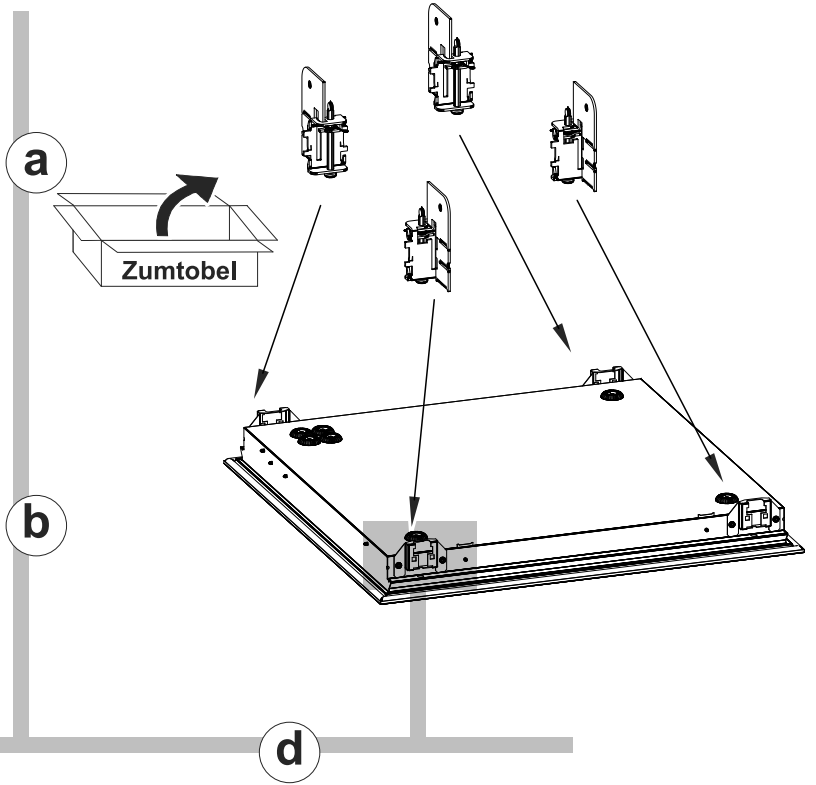
**CL2 M600L/M625L:**



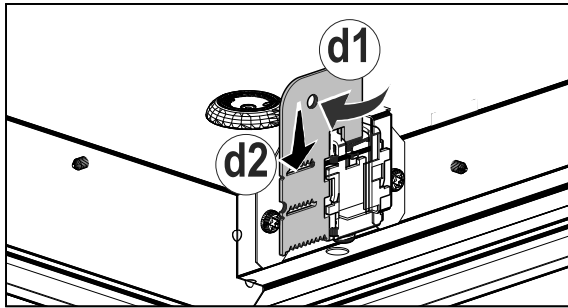
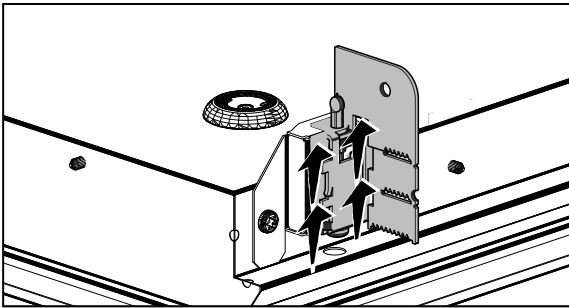
a - d 4x



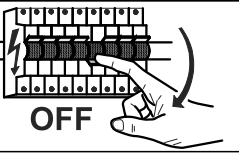
c



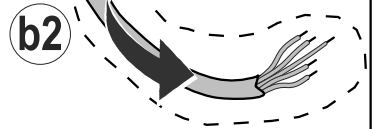
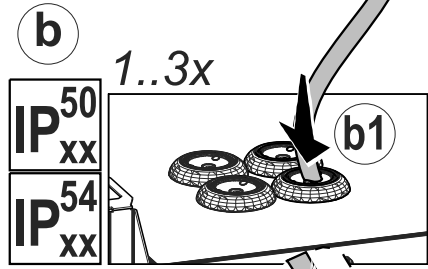
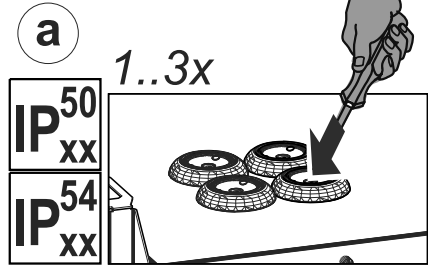
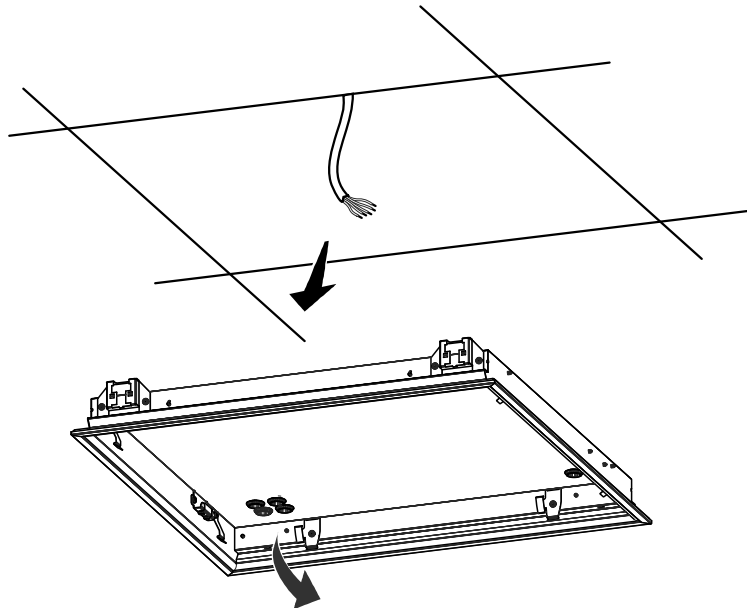
d



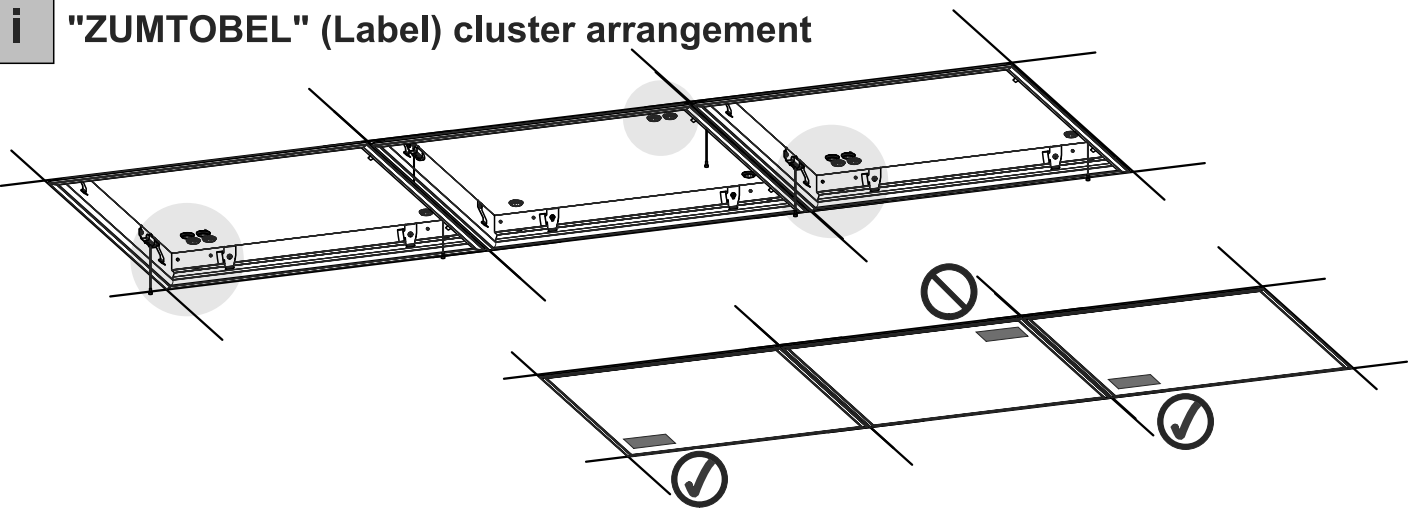
4



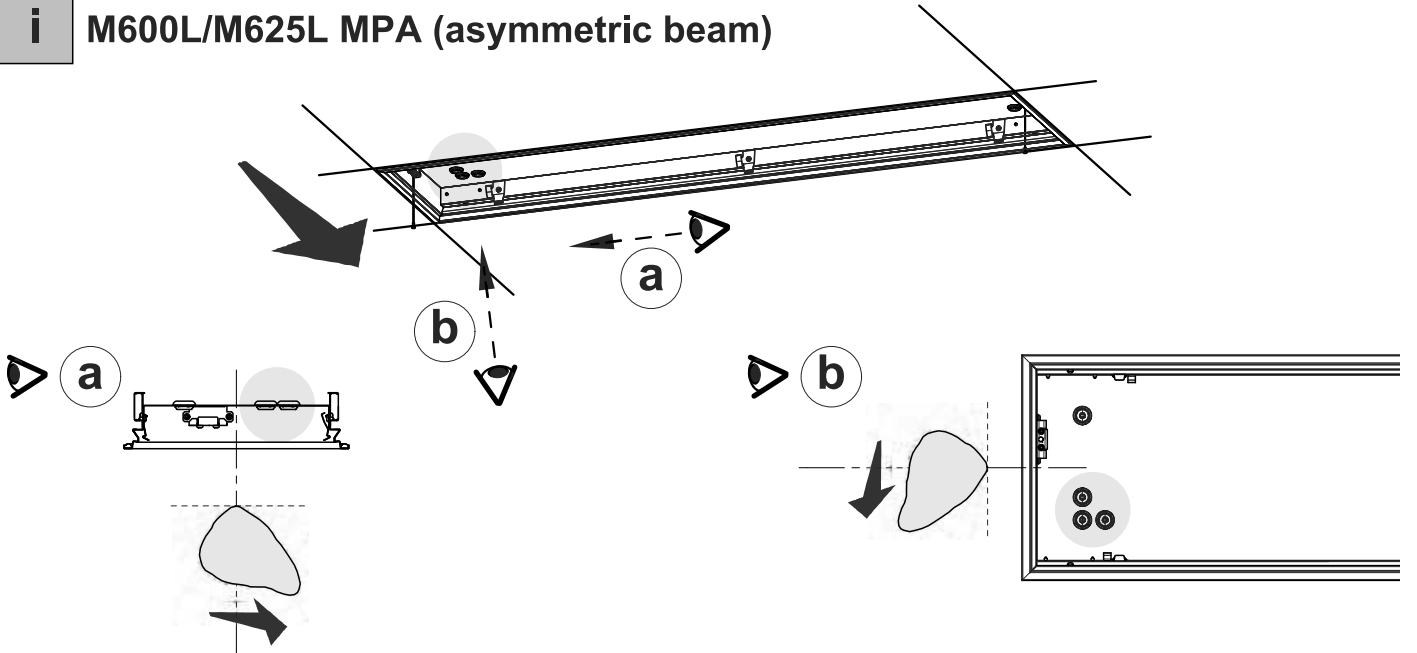
OPTION!



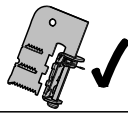
**i** "ZUMTOBEL" (Label) cluster arrangement



**i** M600L/M625L MPA (asymmetric beam)

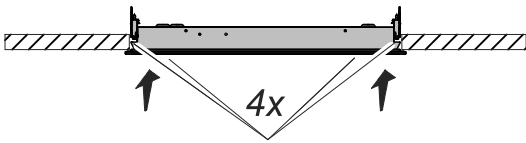


5

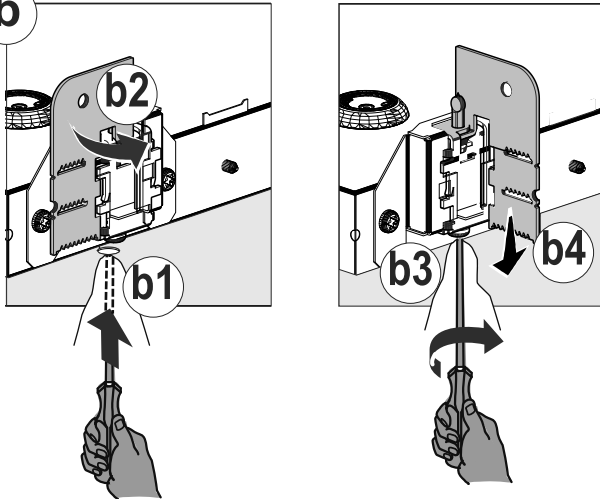


**MOUNTING OPTION**  
levelling (use of NIV Set)

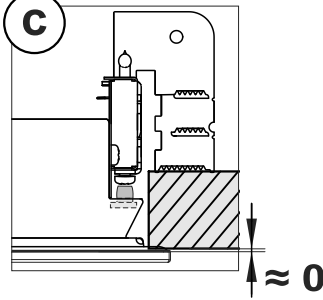
a



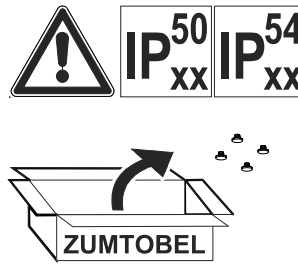
b



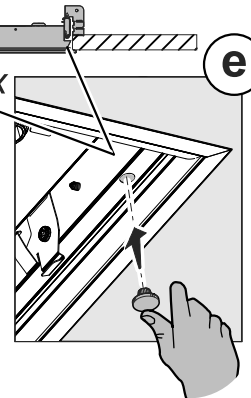
c



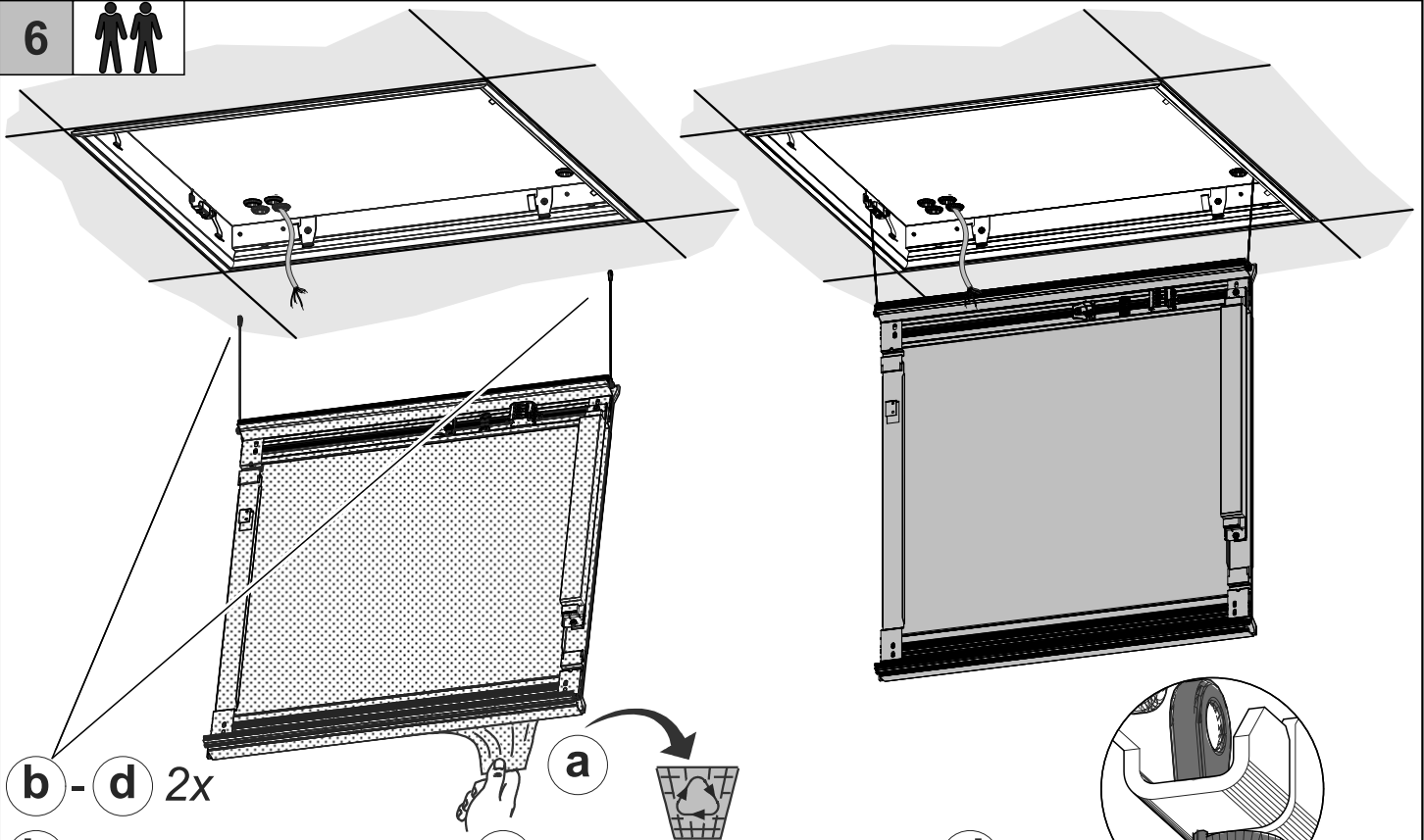
d



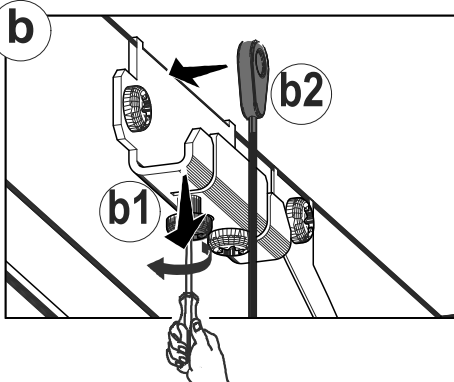
e



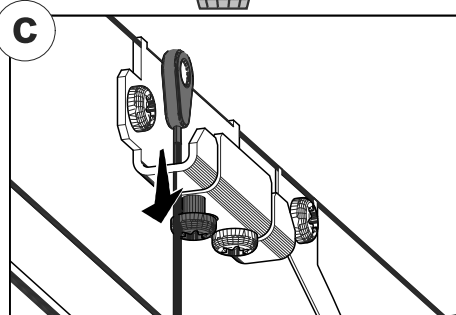
6



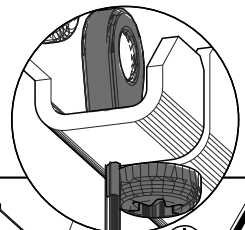
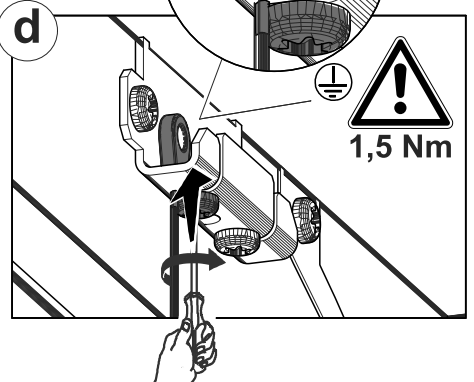
b



c



d



**i** **OPTION: BC (CL2 BC)**

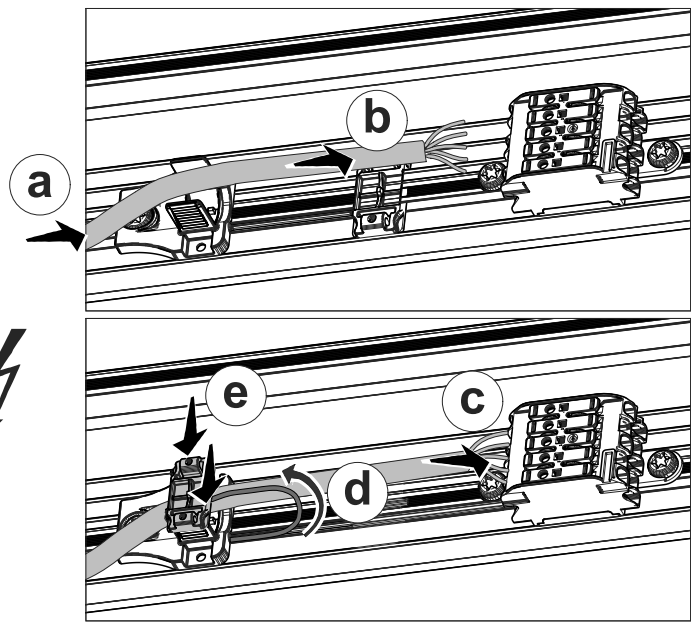
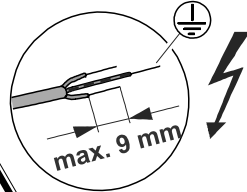
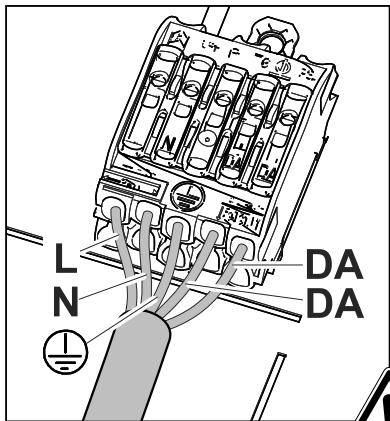
**i** **OPTION: bmLINK (CL2 BM)**

bluetooth casambi  
[www.tridonic.com/basicDIM-wireless](http://www.tridonic.com/basicDIM-wireless)

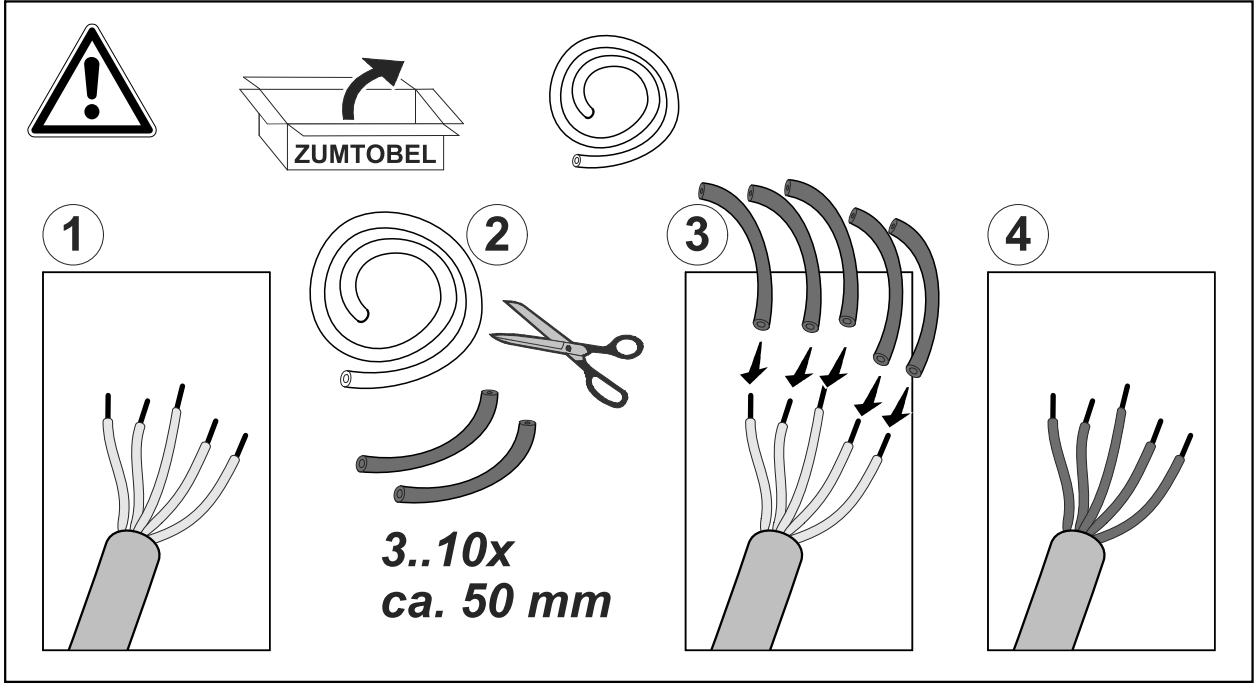
DALI via bluetooth mesh  
[www.zumtobel.com/bmLINK](http://www.zumtobel.com/bmLINK)

**7** ⚡

**OPTION max. 16 A!**



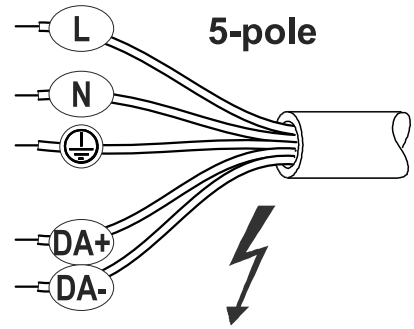
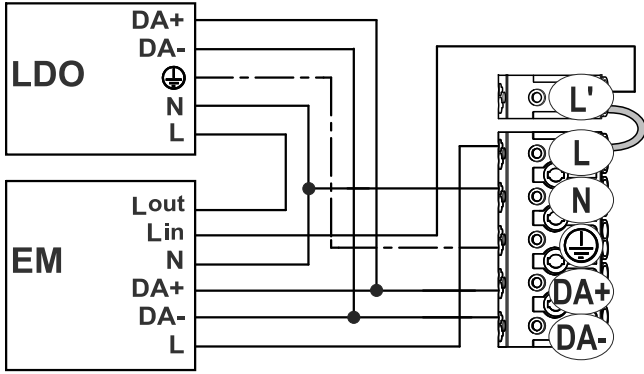
**i** **TW + GBW + E3D ONLY:**



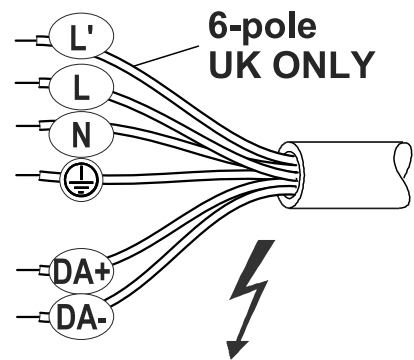
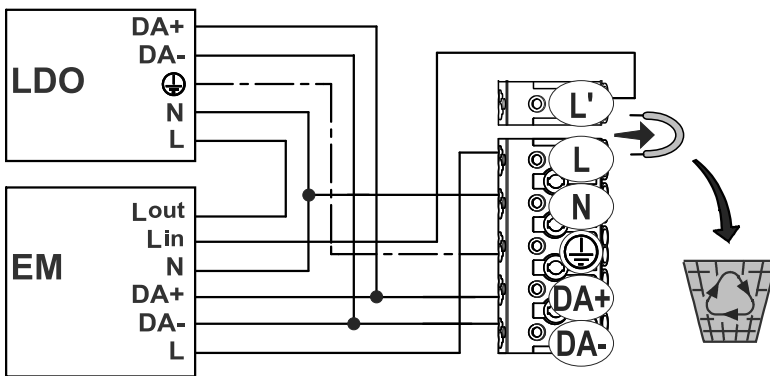


**(8) ⚡ OPTION: Emergency Lighting (self-contained)**

**E3D**

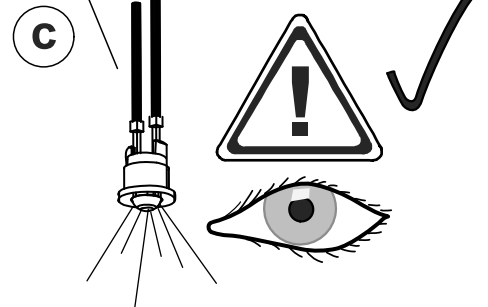
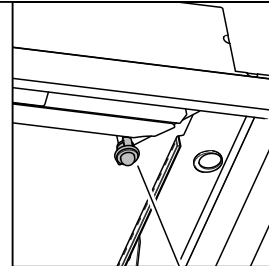
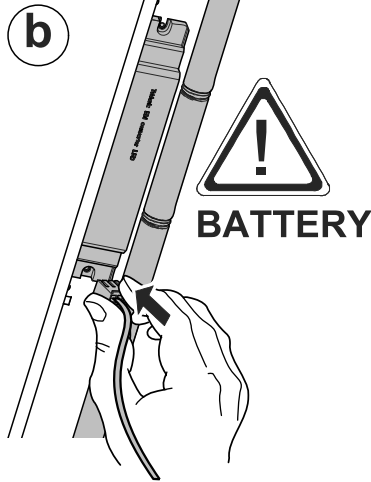
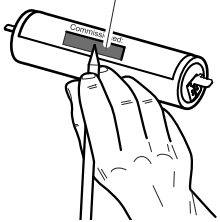


**E3D UK ONLY**



**i ⚡**

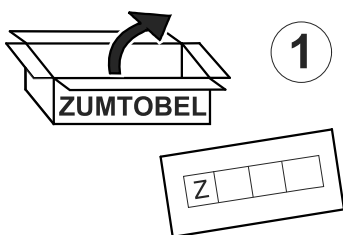
**a**  
Commissioned Date:  
\_\_\_\_\_



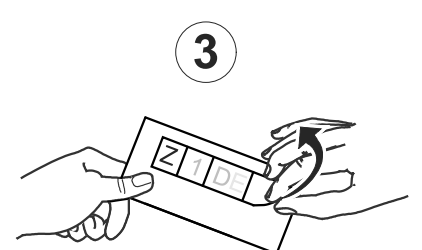
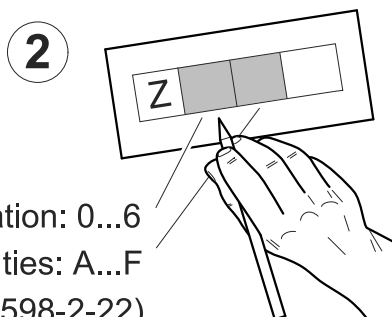
GREEN / GRÜN ✓

**i ⚡**

**OPTION: Emergency Lighting (centrally supplied)**



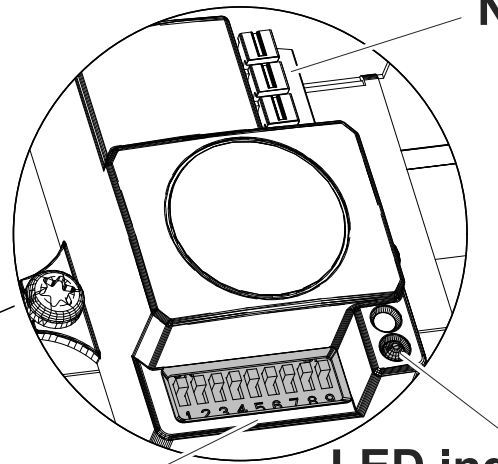
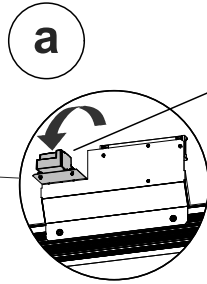
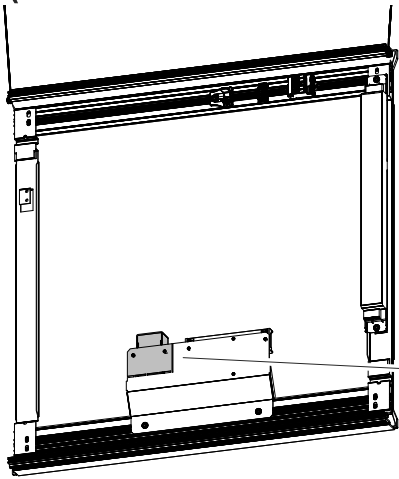
mode of operation: 0...6  
facilities: A...F  
(acc. IEC/EN 60598-2-22)



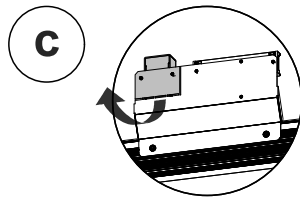
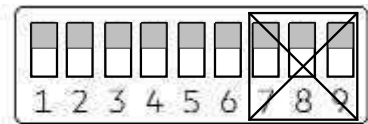
(9)

### OPTION MWBM + MWCF (TRIDONIC 28002235 + 28002214)

i



b DIP-Switches



Hold time  
(MWCF ONLY)  
Sensitivity NOT IN USE



[www.tridonic.com/28002235](http://www.tridonic.com/28002235)

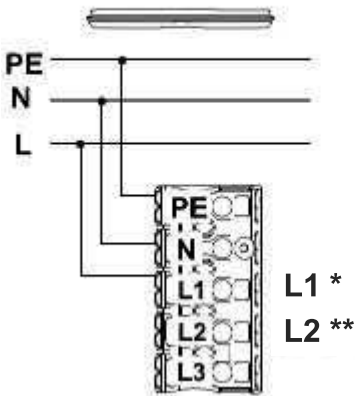
[www.tridonic.com/28002214](http://www.tridonic.com/28002214)

01/18-15011865-1 We reserve the right to make technical changes without prior notice.  
Tridonic GmbH & Co KG, [www.tridonic.com](http://www.tridonic.com), [info@tridonic.com](mailto:info@tridonic.com), Tel. +43 5572 395-0

i

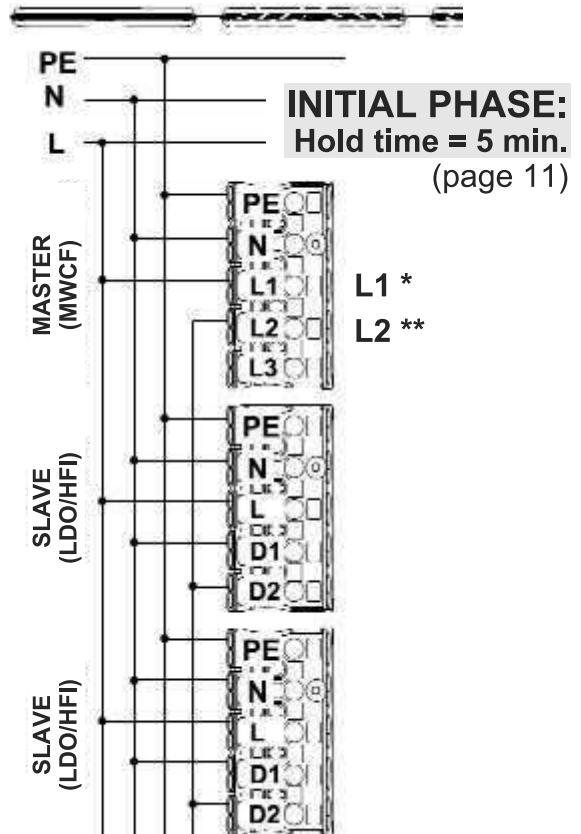
### Wiring Diagrams (MWCF)

#### ON/OFF (MWCF) Standalone



\*L1 = L .. permanent line  
\*\*L2 = L' .. switched line

#### Corridor Function (MWCF) Master-Slave

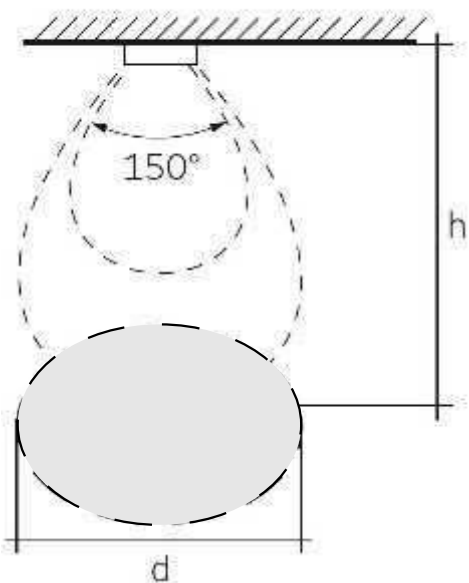


**(9) OPTION MWBM + MWCF  
(TRIDONIC 28002235 + 28002214)**

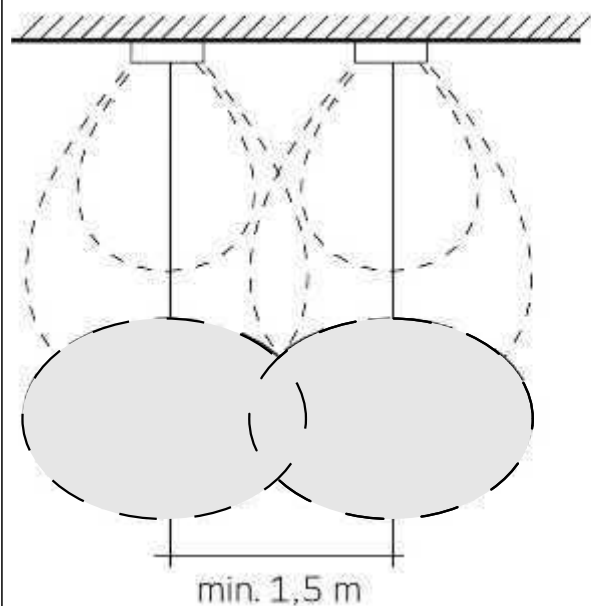
**i Motion detection area**

**Distance between sensors**

**Ceiling mounted**



h	d
0.5m	0.5m
1.0m	1.0m
1.5m	2.0m
2.0m	4.0m
2.5m	6.0m
3.0m	7.0m
3.5m	6.0m
4.0m	5.0m
4.5m	4.0m
5.0m	3.0m



**Values may differ significantly!**

Reflected HF waves (e.g. of walls, floors, ceilings or furniture) from other transmitters affect motion detection.

 [www.tridonic.com/28002235](http://www.tridonic.com/28002235) [www.tridonic.com/28002214](http://www.tridonic.com/28002214)

**i OPTIONS for DIP-Switches**

	1	2	3	Sensitivity		MWBM	MWCF
I	●	●	●	100 % (default)	●	✓	✓
II	○	●	●	75 %	■	✓	✓
III	○	●	○	50 %	□	✓	✓
IV	○	○	●	30 %	○	✓	✓
V	○	○	○	10 %	○	✓	✓
	4	5	6	Hold time		MWBM	MWCF
I	●	●	●	5 s (default)	●	✓	✓
II	●	○	●	30 s	■	-	✓
III	●	○	○	1 min	□	-	✓
IV	○	●	●	5 min	○	-	✓
V	○	●	○	10 min	○	-	✓
VI	○	○	●	20 min	○	-	✓
VII	○	○	○	30 min	○	-	✓

(9)

# OPTION MWBM + MWCF (TRIDONIC 28002235 + 28002214)

i

**Trouble Shooting Guide**  
(Problem => possible Reasons => Actions)

**Fitting does not switch off**  
 1. Continuous movements within detection area => Check area  
 2. Fitting is vibrating => Check surface and mounting

**Fitting switches on without clear movements**  
 1. Fitting is vibrating => Check surface and mounting  
 2. Non visible movements (behind a wall) => Check area

**Fitting does not switch on despite clear movements**  
 1. Detection area is too small => Check mounting instructions  
 2. Sensitivity is set too low => Extend sensitivity on sensor

**Fitting does not dim down (in Corridor Function)**  
 => Corridor function is not activated => Check mounting instructions

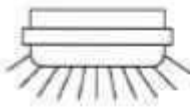


[www.tridonic.com/28002235](http://www.tridonic.com/28002235)

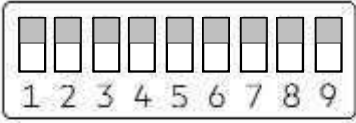
[www.tridonic.com/28002214](http://www.tridonic.com/28002214)

i

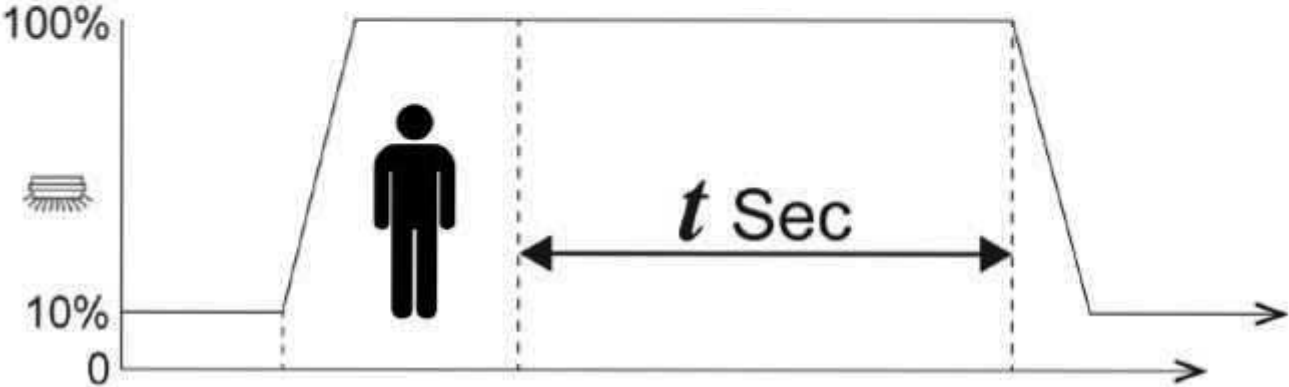
## Corridor Function (MWCF ONLY)



100% → 10%

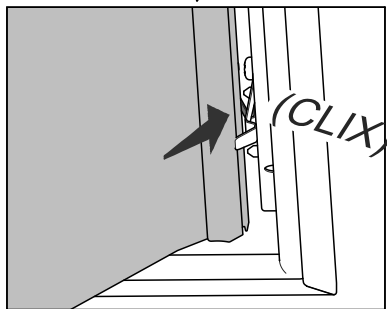
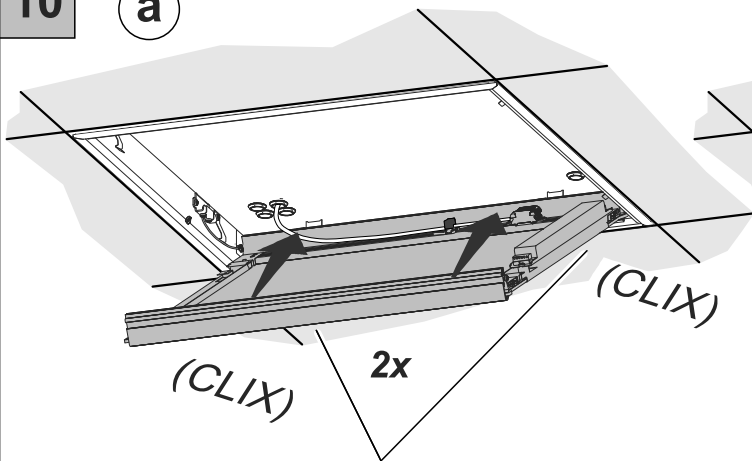


**Hold time**  
(page 11)

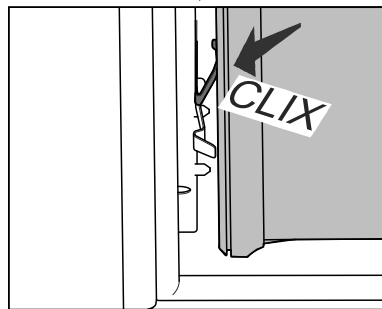
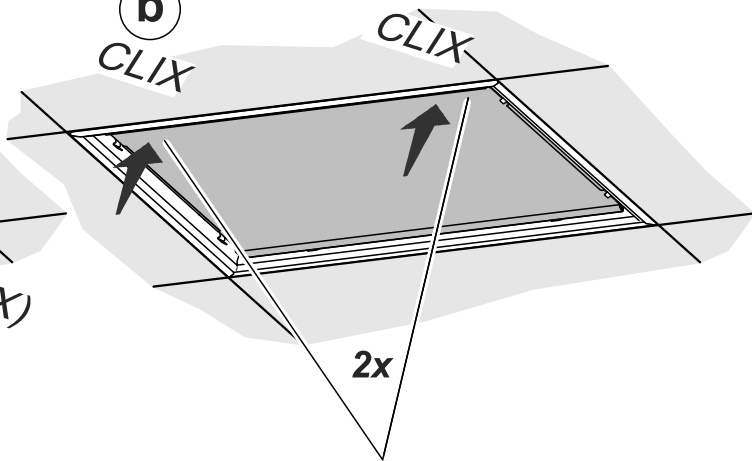


10

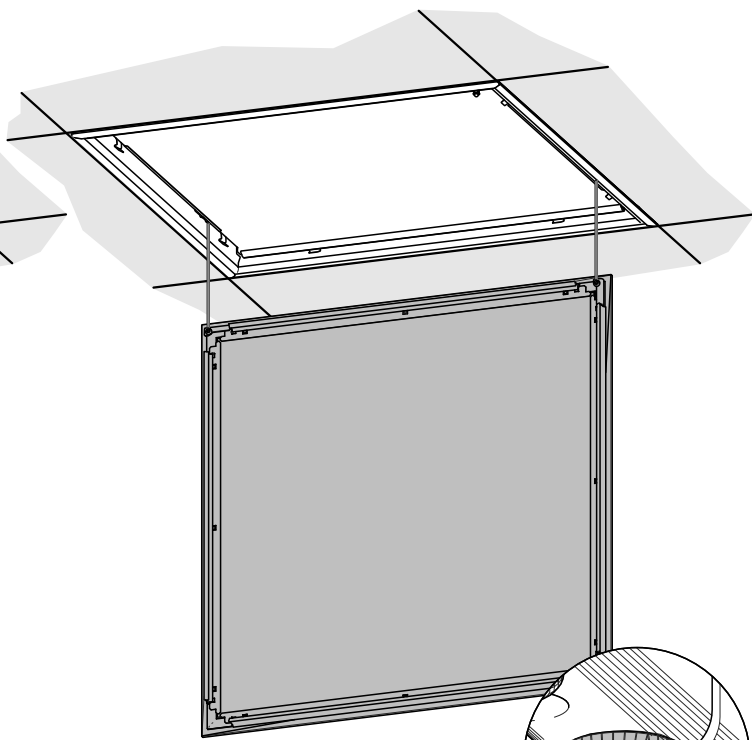
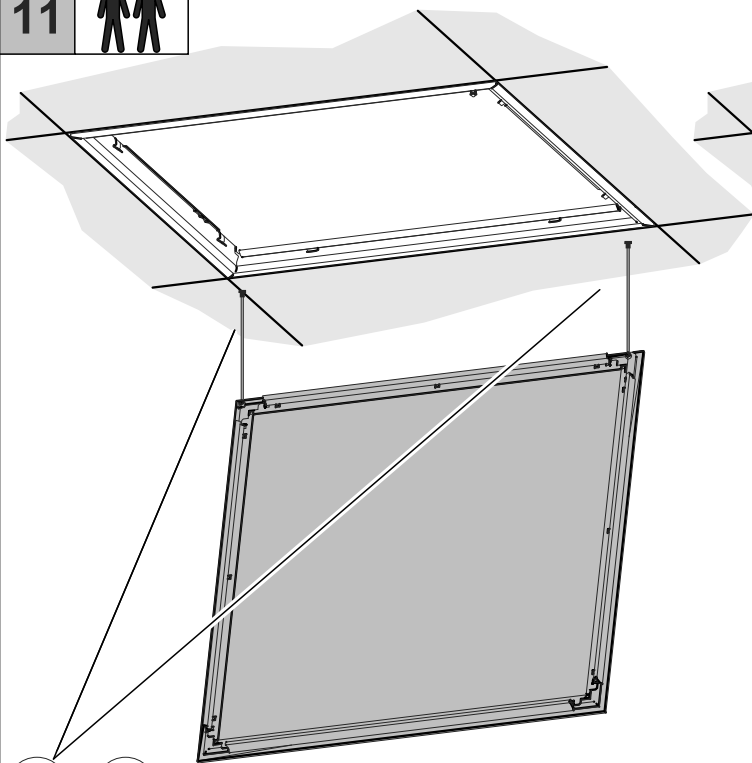
a



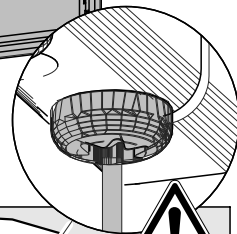
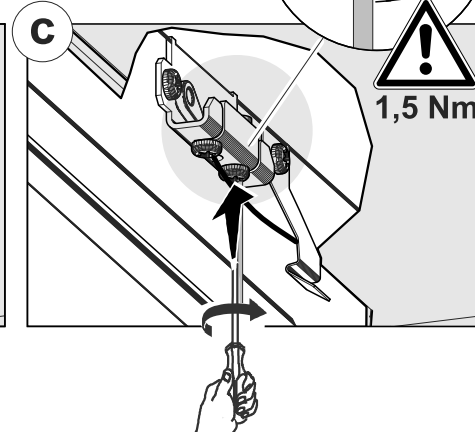
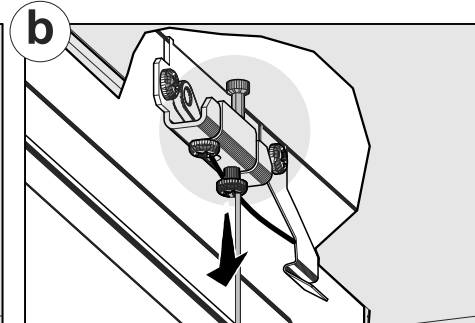
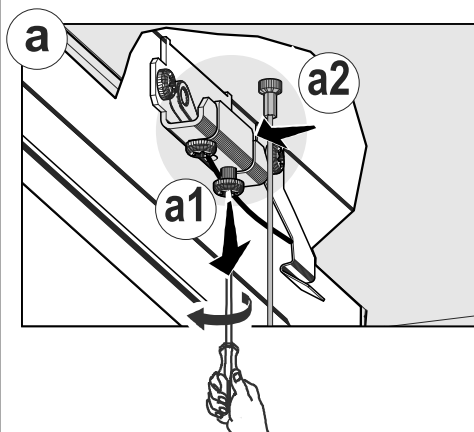
b



11

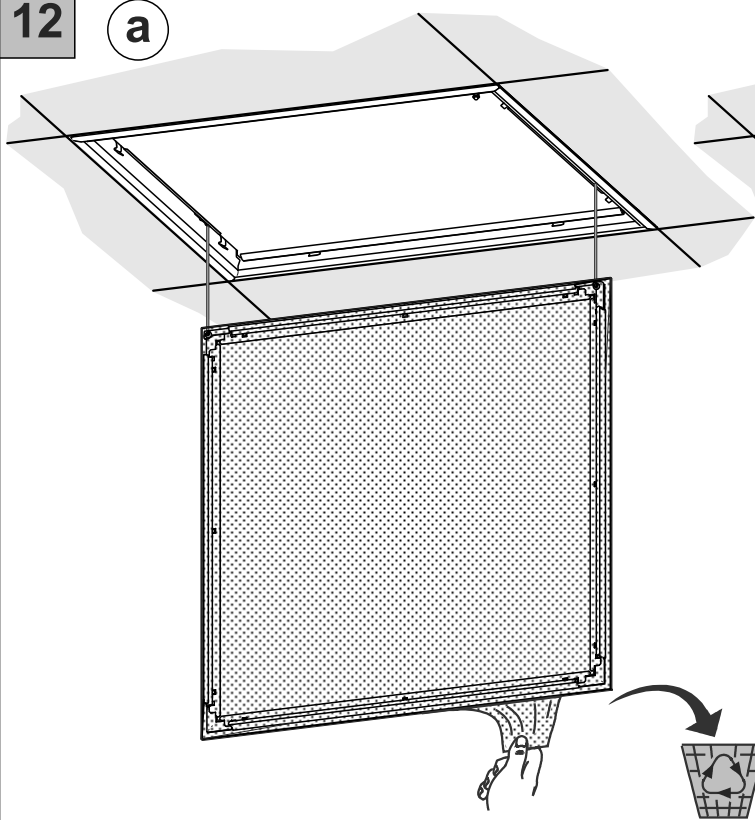


a - c 2x

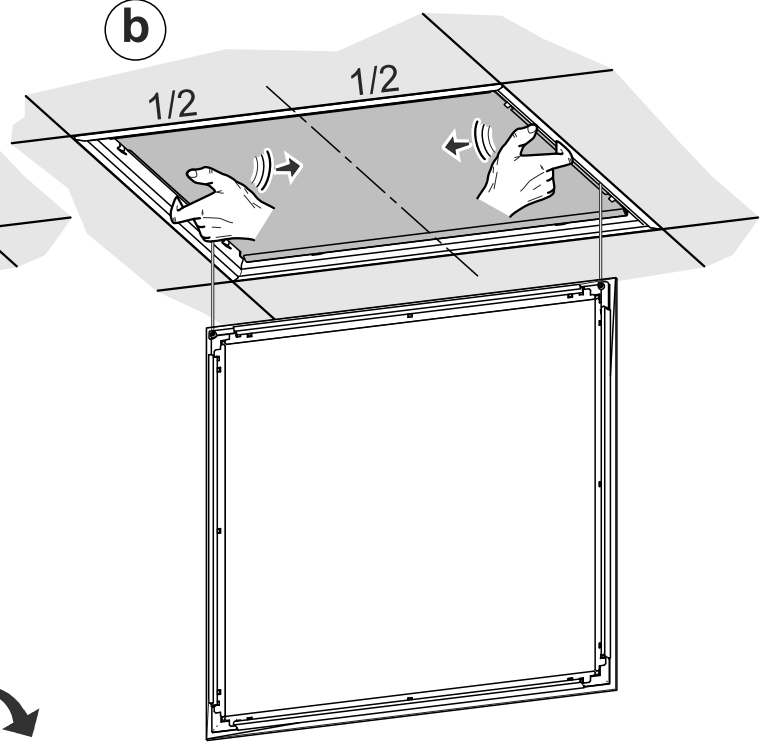


1,5 Nm

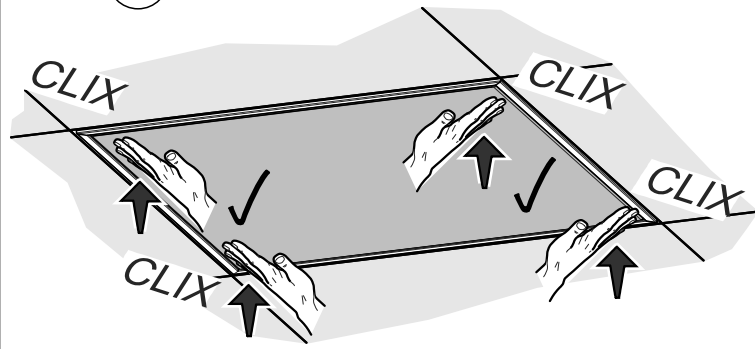
a



b

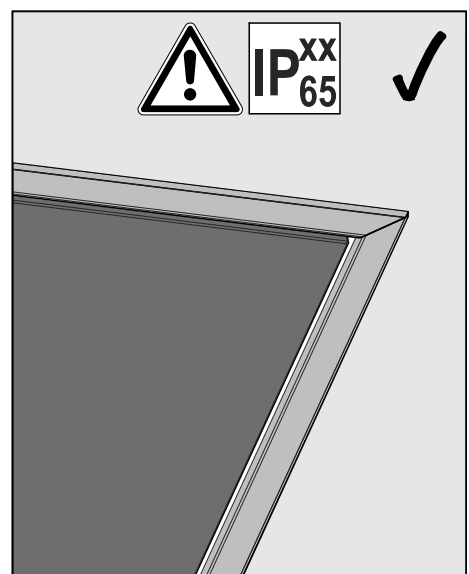
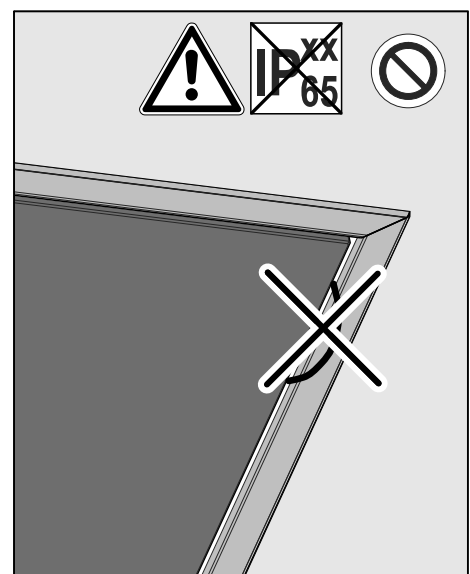
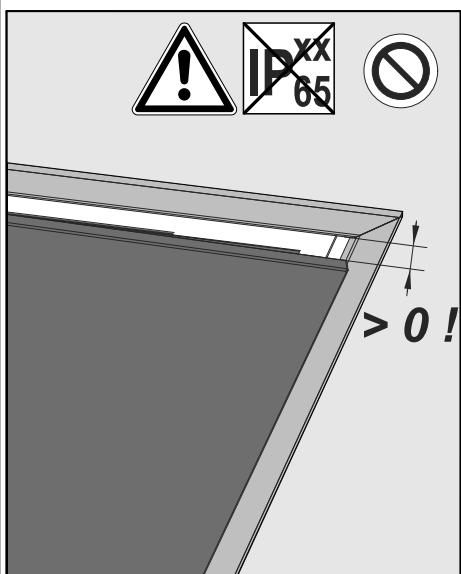
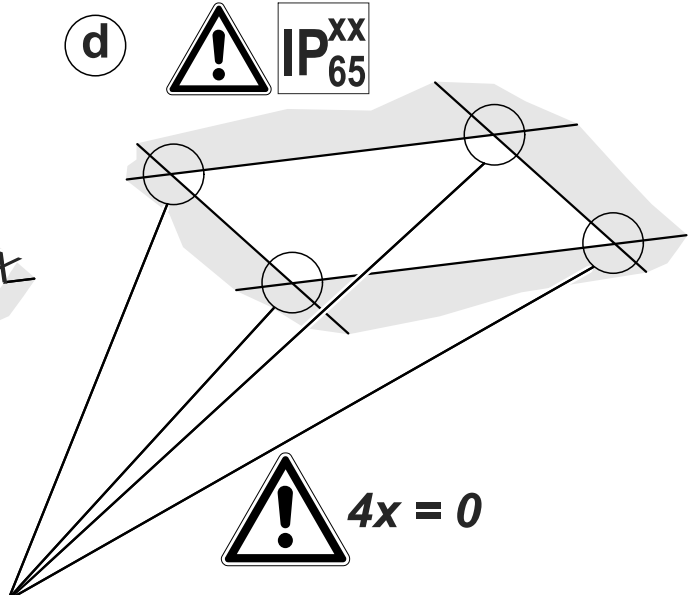


c

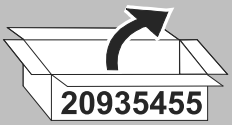


4x CLIX  
8x CLIX

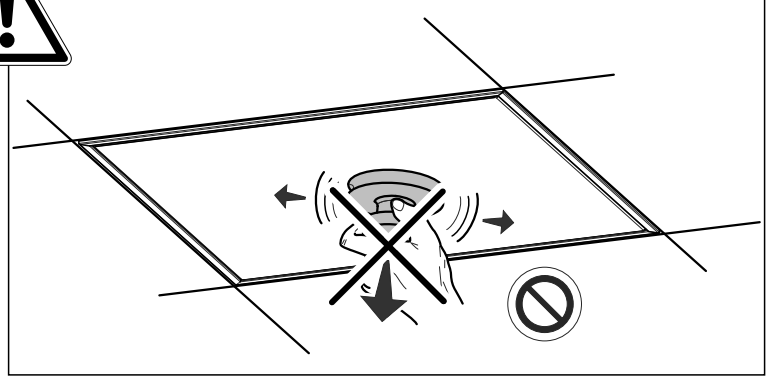
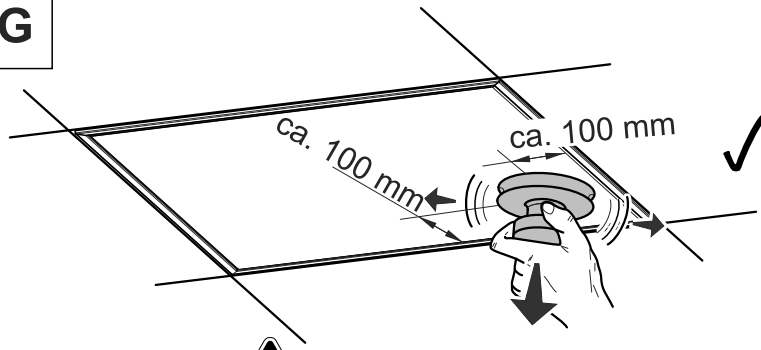
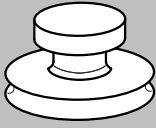
d



**i** **DISMOUNTING**



1x



## **DE** Hinweise für die Montage und den Betrieb!

Die Montage und Inbetriebnahme der Leuchte sowie jede Veränderung an der Leuchte darf nur von autorisierten Fachkräften (qualifizierter Elektriker) durchgeführt werden. Die nationalen Errichterbestimmungen sind zu beachten. Vor jeder Arbeit an der Leuchte ist diese vom Netz zu trennen.

### **Hot Plug-in ist nicht möglich und kann zu Schäden an der Leuchte führen!**

Der Hersteller haftet nicht für Schäden, die aus fehlerhafter Montage, unsachgemäßem Betrieb oder unautorisierten Veränderungen an der Leuchte resultieren.



### **Vorsicht, Gefahr eines elektrischen Schlags.**

Technische Änderungen vorbehalten! Bei Fragen wenden Sie sich an den Hersteller.

## **EN** Instructions for installation and operation!

The installation and commissioning of the luminaire as well as any modification to the luminaire may only be performed by authorized personnel (qualified electrician). National installation regulations must be observed. Before any work on the appliance is done, it must be disconnected from mains.

### **Hot plug-in is not an option and may cause damage to the lamp or luminaire!**

The manufacturer is not liable for damages resulting from improper or faulty installation or operation or from unauthorized modifications to the luminaire.



### **Caution, risk of electric shock! Specifications are subject to change without notice!**

If you have questions, please contact the manufacturer.

## **FR** Instructions pour l'installation et l'utilisation!

L'installation et la mise en service du luminaire ainsi que toute modification au luminaire doivent être effectuées par un personnel autorisé (électricien qualifié). Les règles nationales d'installation doivent être respectées. Avant toute intervention sur l'appareil, il doit être débranché de son alimentation.

### **Le branchement à chaud est interdit, et peut endommager à la lampe ou le luminaire!**

Le fabricant décline toute responsabilité pour les dommages résultant d'une mauvaise installation ou opération, ou d'une modification non autorisée du luminaire.



**Avertissement, risque de choc électrique.** Sous réserve de modifications des spécifications techniques! Pour toute question, contactez le fabricant.

## **IT** Istruzioni per l'installazione e il funzionamento!

L'installazione e la messa in servizio degli apparecchi, nonché qualsiasi modifica dell'apparecchio può essere eseguita solo da personale autorizzato (elettricista qualificato). Le norme nazionali di installazione devono essere rispettate. Prima di qualsiasi intervento sull'apparecchio, questo deve essere scollegato dalla rete.

### **Non è possibile un Hot Plug In e può causare danni alla lampada o all'apparecchio!**

Il produttore non si assume alcuna responsabilità per i danni derivanti da un'installazione impropria o difettosa, o per modifiche non autorizzate apportate all'apparecchio.



**Attenzione, rischio di folgorazione!** Modifiche tecniche sono soggette a cambiamenti senza preavviso! Se avete domande, si prega di contattare il produttore.

## **NL** Aanwijzingen voor installatie en bediening!

De installatie en inbedrijfstelling van het armatuur, alsook elke wijziging in of aan het armatuur mogen alleen door bevoegd personeel (elektricien) worden uitgevoerd. De nationale installatie voorschriften moeten worden nageleefd. Voor alle werkzaamheden aan het apparaat, moet deze worden losgekoppeld van het net.

### **Hot plug-in is niet mogelijk en kan schade aan de lichtbron of het verlichtingstoestel veroorzaken!**

De fabrikant is niet aansprakelijk voor schade als gevolg van onjuiste of foutieve installatie, bediening of schade welke het gevolg zijn van niet geautoriseerde wijzigingen aan het armatuur.



### **WAARSCHUWING: Gevaar voor elektrische schokken.**

Technische wijzigingen vorbehalten! Als u vragen hebt, kunt u contact opnemen met de fabrikant.

## **i** Info on (non-) replaceability:

