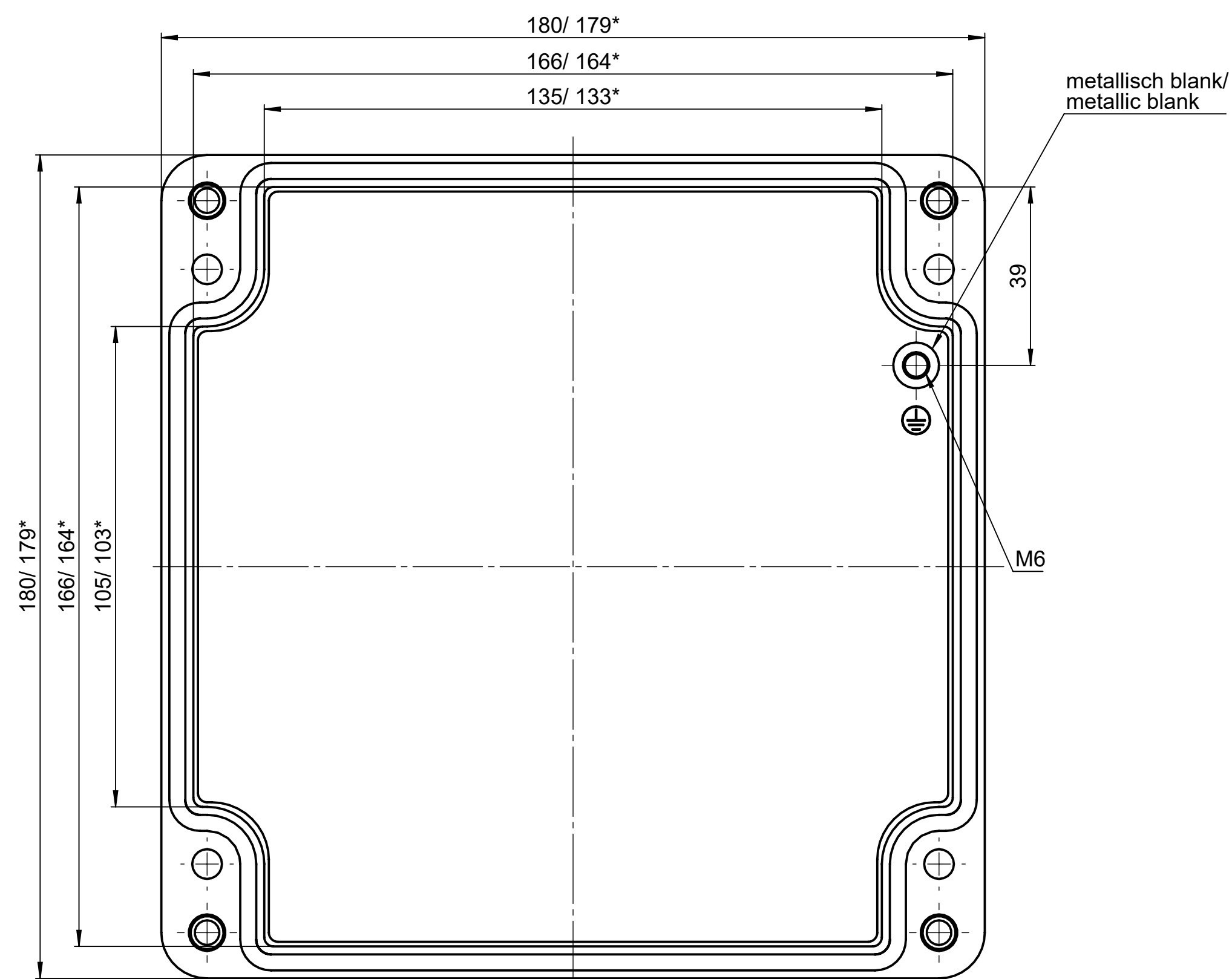


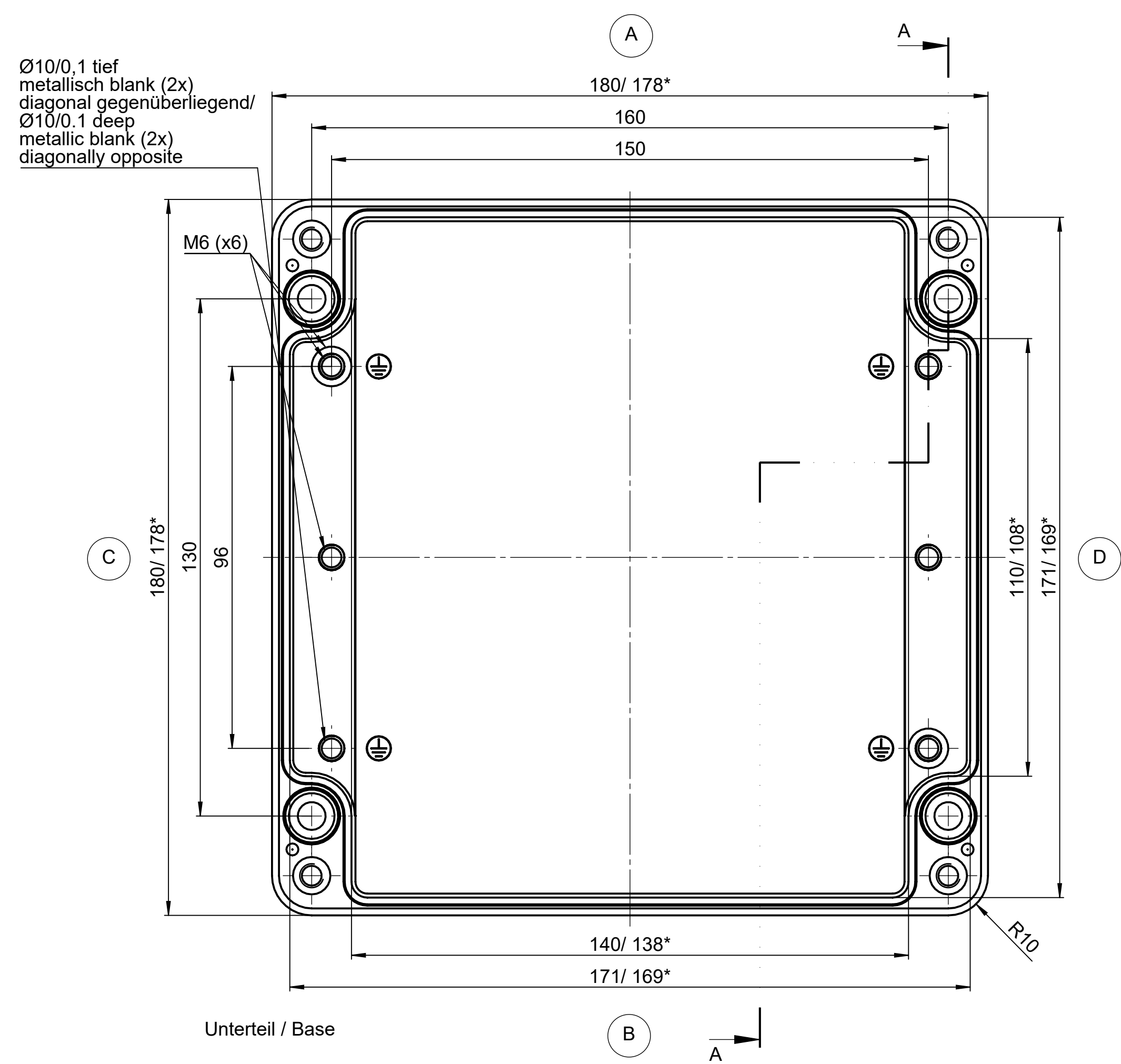
Für diese techn. Unterlage behalten wir uns alle Rechte vor. This technical drawing is the property of ROSE Systemtechnik GmbH. It is not to be reproduced, copied, or disseminated in any way without the written consent of ROSE Systemtechnik GmbH. For this technical drawing, all dimensions are in millimeters unless otherwise specified. Dimensions are given in millimeters and inches. Dimensions in inches are rounded to the nearest 0.01. Dimensions in millimeters are rounded to the nearest 0.1. Dimensions are given in millimeters and inches. Dimensions in inches are rounded to the nearest 0.01. Dimensions in millimeters are rounded to the nearest 0.1.

All rights reserved. No copies or reproductions of this drawing may be made without the written consent of ROSE Systemtechnik GmbH. This drawing is the property of ROSE Systemtechnik GmbH. It is not to be reproduced, copied, or disseminated in any way without the written consent of ROSE Systemtechnik GmbH.

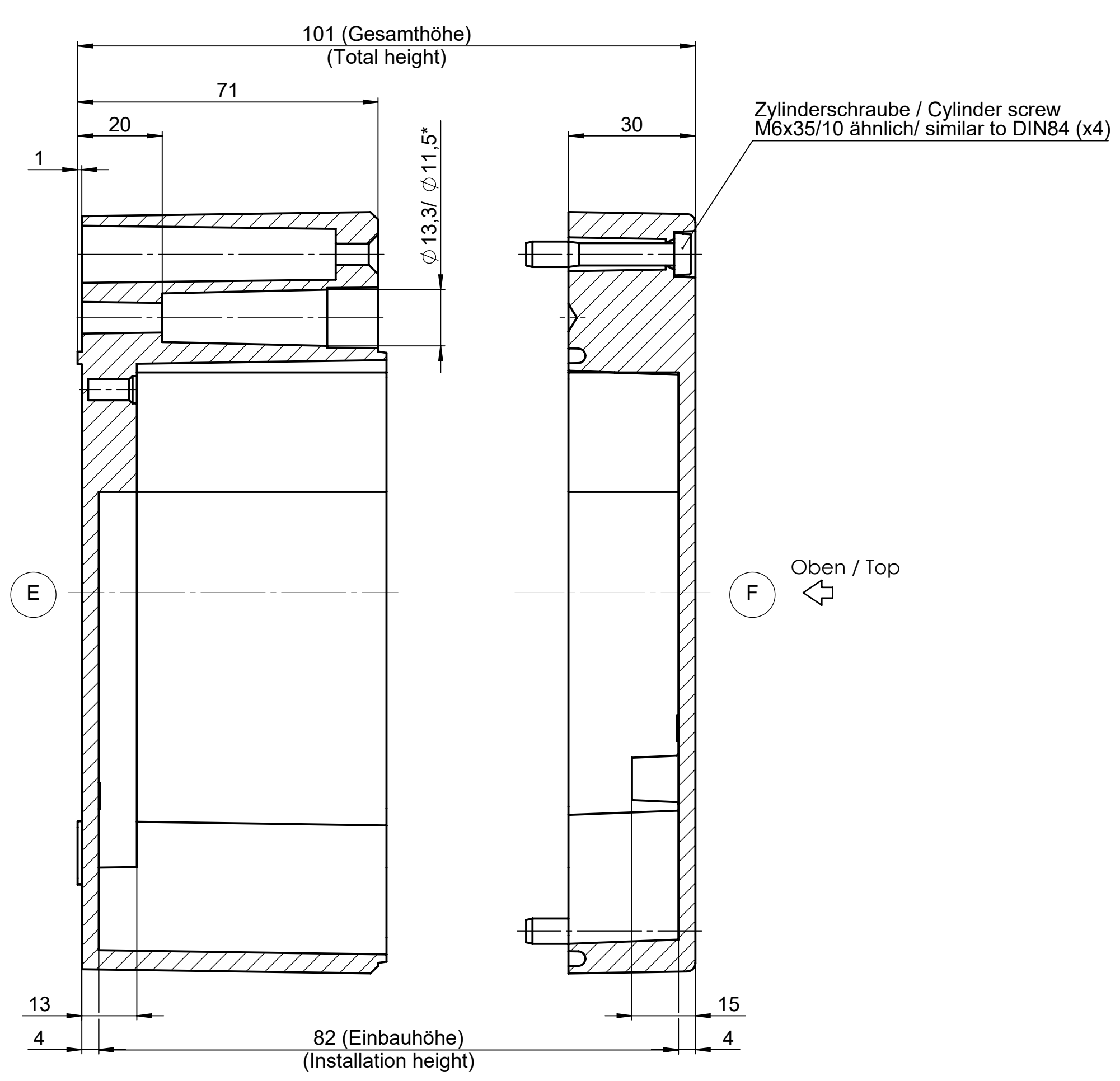


Deckel / Lid

\* = Mass durch Formkonizität nach unten verringert.  
Freimass - Toleranz nach GTA 13/5 - DIN 1688  
\* = Dimensions reduced in the lower part by mould incline  
General tolerances according to GTA 13/5 - DIN 1688



Unterteil / Base



Index		Änderung/Modification		Änd. Nr. / Mod. Nr.		Datum/Date/Name		Projekt-Nr./project-no.	
								Farbe/color	
								Gewicht/weight	
								2.00kg	
								Werkstoff/material	
								Oberfläche/surface	
								Freimass/tolerance	
								DIN 1688-GTA 13/5	
								Werkstückkanten/edges	
								Ersatz für Replacement for	
								Bemerkung/Note	
								Zeichnung-Nr./Drawing-No.	
								KAT01.181810	
Maßstab Scale		Benennung/Description		Systemtechnik GmbH		erstellt/created:		08.11.16	
1:1		Aluminium Gehäuse		32457 Porta Westfalica		geprüft/checked:		27.01.21	
DIN A1		Aluminium enclosure				A.Hei.			