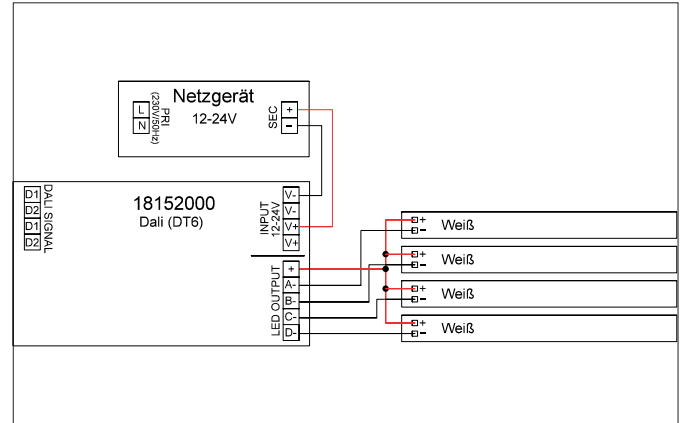


LED dimmer 12-24 V DC, dimmable
 Article no. 18152000

Light.
 For Generations.



Tender
 LED dimmer 12-24 V DC, dimmable. Ceiling cut-out Installation depth mm, Length 170 mm, Width 59 mm, Weight 0,144 kg, ,with max: 240 W , Delivery without bulb.Housing material: Plastic, Permissible ambient temperature (ta): -20 °C - +25 °C, Protection class (EN 61140): III, Degree of protection (DIN EN 60529): IP20, .For connection to an external driver, which is not included in the scope of delivery of the luminaire. DALI-DT6 dimmable.

Article data	
Article no.	18152000
GTIN	4250047799795
Short description	LED dimmer 12-24 V DC, dimmable
Material	Plastic
Length	170 mm
Width	59 mm
Hight	30 mm
Weight	0.144 kg

Operating technology of driver	
Protection class	III
Degree of protection	IP20
Power min	1 W
Power max.	240 W
Control	DALI-DT6
Enviroment temprature (ta)	0°C up to 40°C
Measure point (tc)	max. +70 °C

LED dimmer 12-24 V DC, dimmable

Article no. 18152000

Light.
For Generations.

Packing data	
Gross weight	0.164 kg
Length of packaging	175 mm
Packaging width	60 mm
Packaging height	35 mm
Disposal at end of life	<p>This product must not be disposed of with household waste. You are obliged, to dispose of such electrical waste separately.</p> <p>By disposing of electrical waste and other old or defective electronics separately, you support recycling or other forms of re-use. In that way you help to take care and to avoid that harmful substances get into the environment.</p>