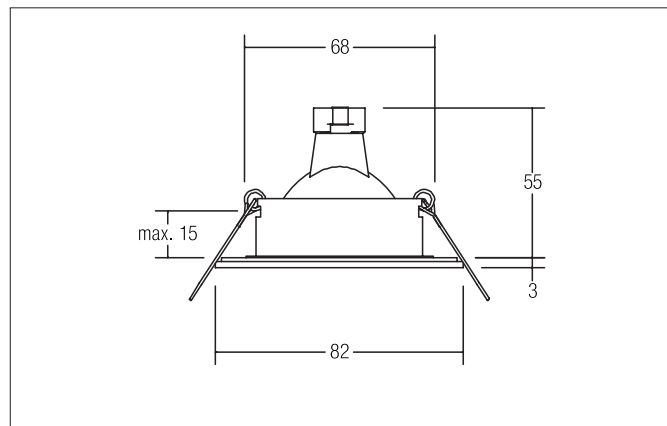


ITANSA-R Recessed downlight, V4A, IP54, GX5,3

Article no. 26004070

Light.
For Generations.**Tender**

Recessed downlight, V4A, IP54, GX5,3, white, Round. In a compact design, for installation in tool-less rapid assembly systems. Mounting method: Recessed mounting, Place of installation: Ceiling-mounted, Material: Stainless steel V4A / Glass, Degree of protection: according to DIN EN 60529 IP54, Protection class: (EN 61140) III, Voltage: 12V, Power: 35 W, Amount of light sources / fittings: 1 Qty, Adjustability: Not adjustable, without control gear, Dimmable: Depending on type of control gear, Control: Depending on driver.

| Article data | |
|--------------------|--------------------------------------|
| Article no. | 26004070 |
| GTIN | 4251433925484 |
| Series name | ITANSA-R |
| Short description | Recessed downlight, V4A, IP54, GX5,3 |
| Material | Stainless steel / Glass |
| Colour | White |
| Type of surface | Matt |
| Shape | Round |
| Outer diameter | 82 mm |
| Built-in diameter | 68 mm |
| Installation depth | 55 mm |
| Height | 3 mm |
| Weight | 0.188 kg |

ITANSA-R Recessed downlight, V4A, IP54, GX5,3

Article no. 26004070

Light.
For Generations.

| Lighting technology | |
|------------------------------|-----------|
| Light colour | White |
| Light output | Direct |
| Light sharing | Symmetric |
| Adjustable color temperature | No |

| Operating technology of the luminaire | |
|---------------------------------------|-----------------------------------|
| System output | 35 W |
| Voltage type | AC/DC |
| AC nominal voltage max | 12 V |
| Frequenz max. | 50 Hz |
| Lamp | For LED-retrofill lamp |
| Protection class | III |
| Degree of protection | IP54 |
| Schutzart deckenseitig | IP20 |
| Dimmable | Depending on type of control gear |
| Control | Depending on driver |
| Bulb change possible | Yes |

| Mounting technology | |
|------------------------|---|
| Mounting method | Recessed mounting |
| Place of installation | Ceiling-mounted |
| Adjustability | Not adjustable |
| Max. ceiling thickness | 15 mm |
| Further references | No cover with thermal insulation material |
| Material cover | Glass transparent |
| Circlip | Without circlip |

| Packing data | |
|-------------------------|---|
| Gross weight | 0.242 kg |
| Length of packaging | 90 mm |
| Packaging width | 90 mm |
| Packaging height | 70 mm |
| Disposal at end of life | This product must not be disposed of with household waste. You are obliged, to dispose of such electrical waste separately. By disposing of electrical waste and other old or defective electronics separately, you support recycling or other forms of re-use. In that way you help to take care and to avoid that harmful substances get into the environment. |