

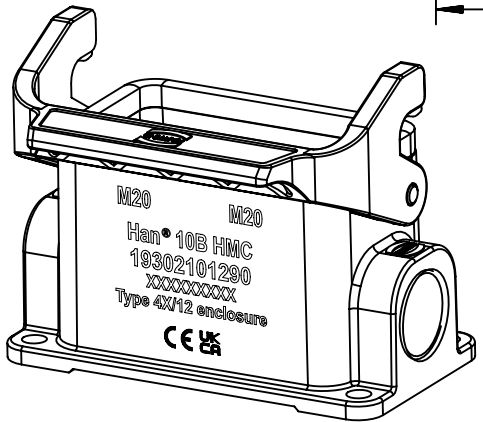
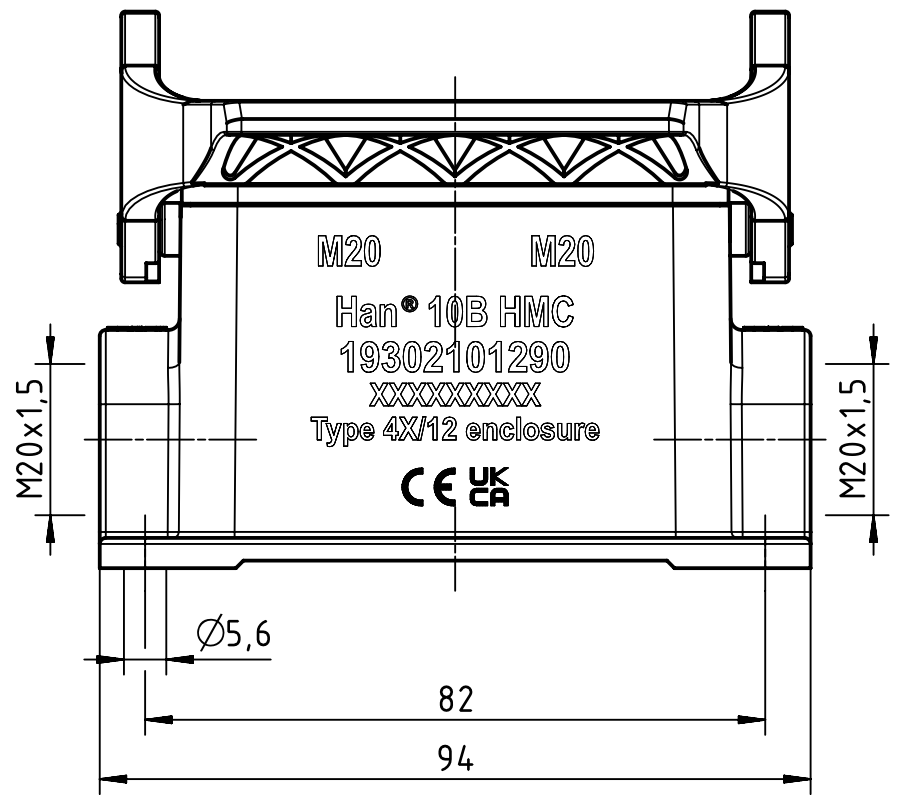
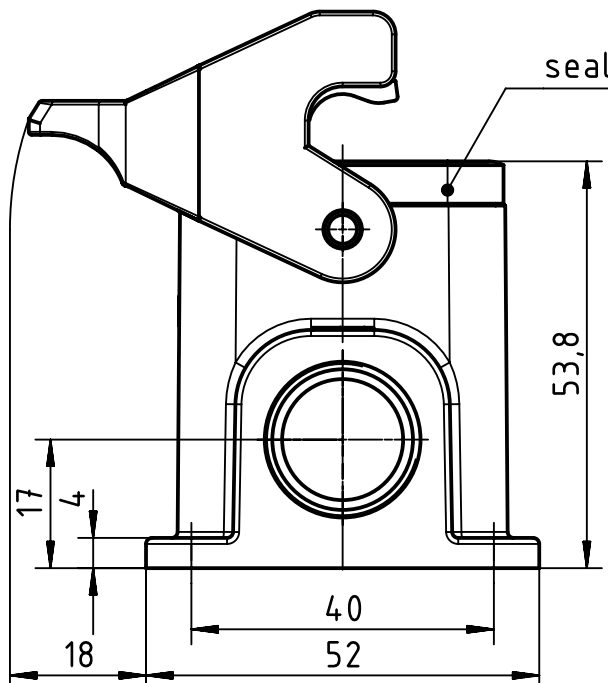
1 2 3 4 5 6


A

B

C

D



	All rights reserved Department EL PD	All Dimensions in mm Original Size DIN A4		Scale 1:1	Free size tol.	Ref. Sub.	
		Created by 105230	Inspected by GERB	Standardisation	Date 2024-01-25	State Final Release	
HARTING D-32339 Espelkamp		Title Han 10B-HMC-asg2-LB-M20				Doc-Key / ECM-Nr. 100522176/UGD/002/F 500000261998	
		Type TB	Number 19 30 210 1290			Rev. F	Page 1/1