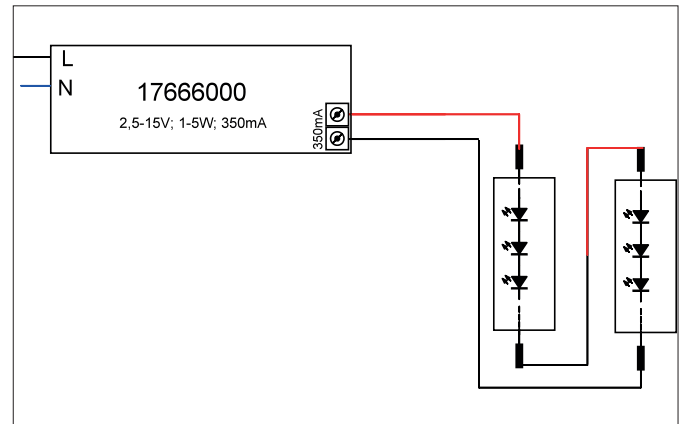
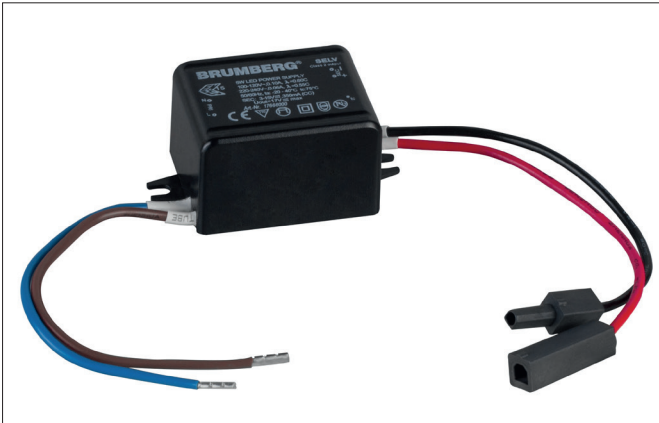


LED converter 350 mA, on/off switchable

Article no. 17666000

Light.
For Generations.**Tender**

LED converter 350 mA, on/off switchable. This converter is equipped with safety devices which protect it against overvoltage, short-circuit as well as thermal and electric overloads. Maximum cable length on the secondary side: 2,000 mm. Material: Plastic, Degree of protection: according to DIN EN 60529 IP20, Protection class: (EN 61140) II, Current: 350 mA, Voltage: 230V AC 50Hz, Power: 5W, Control: on/off.

Article data	
Article no.	17666000
GTIN	4250047778219
Short description	LED converter 350 mA, on/off switchable
Material	Plastic
Length	52 mm
Width	30 mm
Height	23 mm
Scope of delivery	Plug&Play version with 110 mm P&P output cable
Weight	0.045 kg

LED converter 350 mA, on/off switchable

Article no. 17666000

Light.
For Generations.

Operating technology of driver	
AC nominal voltage min	100 V
AC nominal voltage max	240 V
Frequenz max.	50 Hz
Current	350 mA
Protection class	II
Degree of protection	IP66
Starting current	30A
Power min	1 W
Power	4.2 W
Control	on/off
Environment temperature (ta)	0°C up to 40°C
Measure point (tc)	max. +85 °C

Mounting technology	
stamp	ENEC 15
Further references	No cover with thermal insulation material
Application	Indoor

Packing data	
Gross weight	0.061 kg
Length of packaging	45 mm
Packaging width	40 mm
Packaging height	80 mm
Disposal at end of life	This product must not be disposed of with household waste. You are obliged, to dispose of such electrical waste separately. By disposing of electrical waste and other old or defective electronics separately, you support recycling or other forms of re-use. In that way you help to take care and to avoid that harmful substances get into the environment.