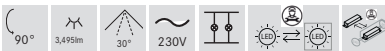
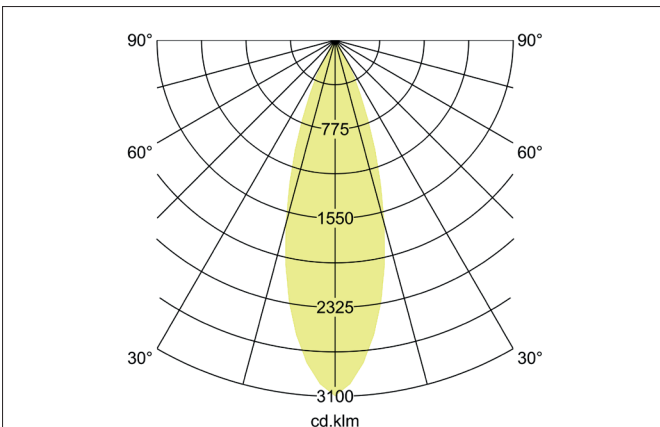
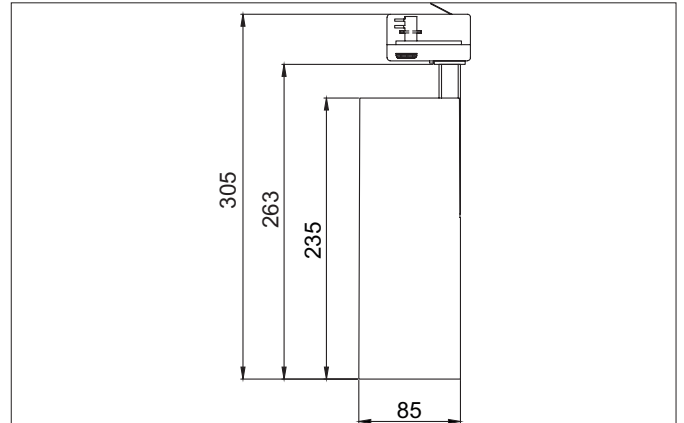


**MAXI LED track spotlight, DALI dimmable**  
Article no. 88397173DA



**Tender**  
LED track spotlight, DALI dimmable, Round.Luminaire diameter 85.0 mm, Hight 263.0 mm Weight 1.269 kg, with rotattionssymmetrical, deep, wide distributed light intensity.. Luminous flux 3.495 lm, Power 1 x 32 W, Light colour warm white, Correlated color temprature (CCT) 3.000 K, Colour rendering index CRI > 90, Housing material: Aluminium, Colour: White structure, Permissible ambient temperature (ta): -20 °C - +25 °C, Protection class (EN 61140): I, Degree of protection (DIN EN 60529): IP20. With electronic driver, on/off switchable.

Article data	
Article no.	88397173DA
GTIN	4251433988625
Series name	MAXI
Short description	LED track spotlight, DALI dimmable
Material	Aluminium
Colour	White
Type of surface	Structure
Shape	Round
Outer diameter	85 mm
Length	235 mm
Width	85 mm
Hight	263 mm
Weight	1.269 kg
Conformance	CE, UKCA

**MAXI LED track spotlight, DALI dimmable**

Article no. 88397173DA

Lighting technology	
Colour temperature	3.000 K
Light colour	White
Luminous flux	3,495 lm
System efficiency	109 lm/W
Colour rendering	CRI > 90
Reflector	High-gloss
Beam angle	30°
Light sharing	Symmetric
Adjustable color temperature	No

Operating technology of the luminaire	
System output	32 W
Voltage type	AC
AC nominal voltage max	230 V
Frequency max	50 Hz
Lamp	LED
Lamp holder	Without fitting
Protection class	I
Degree of protection	IP20
Control	on/off
Bulb change possible	The light source of this luminaire may only be replaced by the manufacturer or a service technician commissioned by him or a similarly qualified person.

Mounting technology	
Mounting method	Surface mounting
Place of installation	Ceiling-mounted
Adjustability	Head adjustable
Swivel angle	180°
Rotation angle	355°
Head adjustable angle	90°
Suitable for through-wiring	No

Packing data	
Gross weight	1.395 kg
Length of packaging	300 mm
Packaging width	200 mm
Packaging height	150 mm
Disposal at end of life	This product must not be disposed of with household waste. You are obliged, to dispose of such electrical waste separately. By disposing of electrical waste and other old or defective electronics separately, you support recycling or other forms of re-use. In that way you help to take care and to avoid that harmful substances get into the environment.