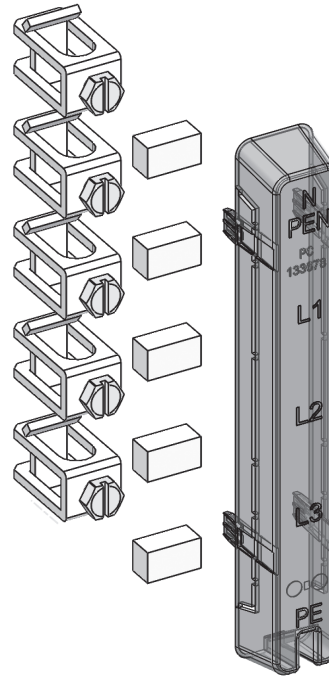


ZCV25



ZCV35

	<input checked="" type="checkbox"/>
	<input checked="" type="checkbox"/>
<a href="http://www.striebelundjohn.com">www.striebelundjohn.com</a>	

