

# Licross

Tragschiene 220-240V

Trunking rail 220-240V

51TR...



5 . TL...

5 . TE...

5 . TP...

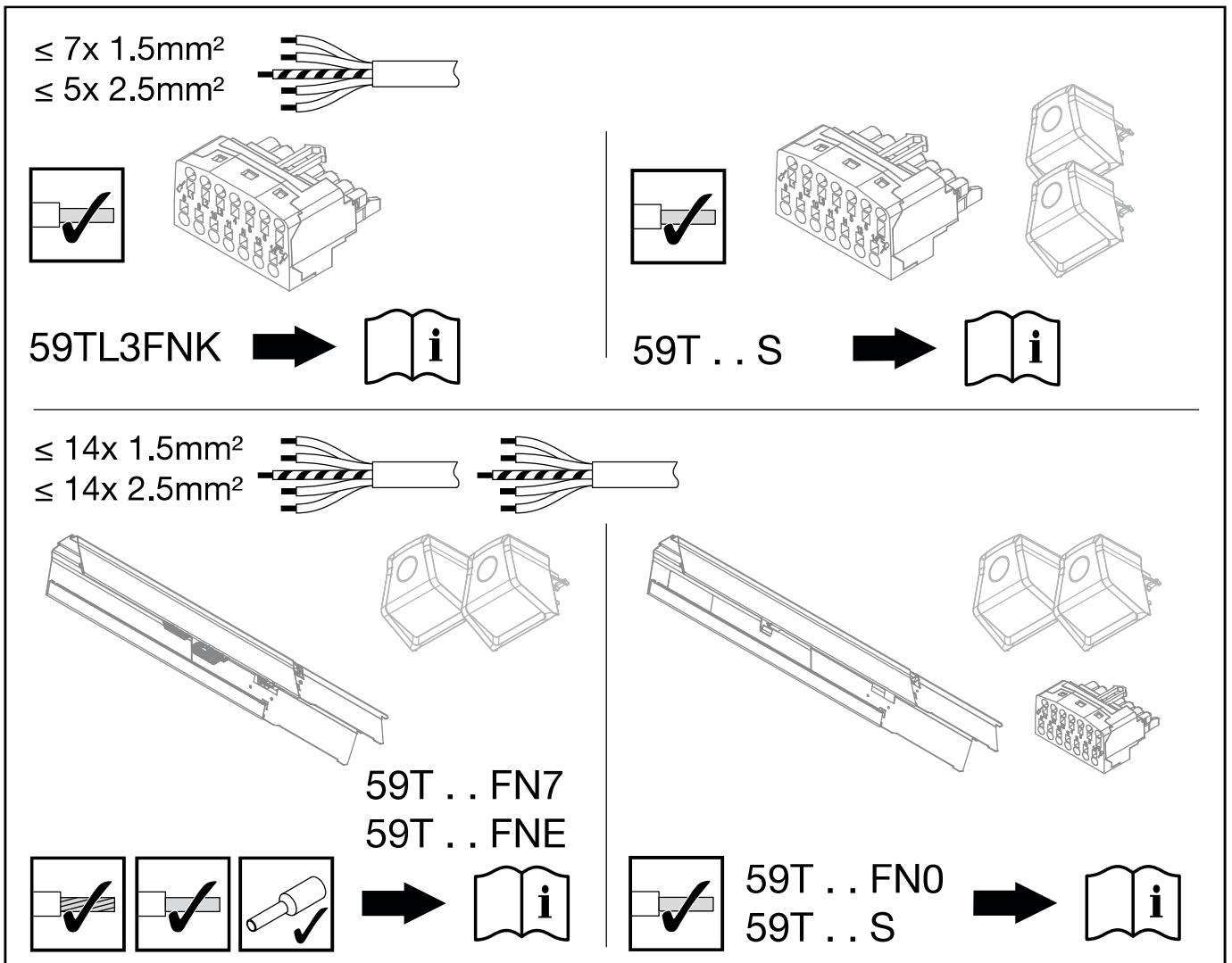
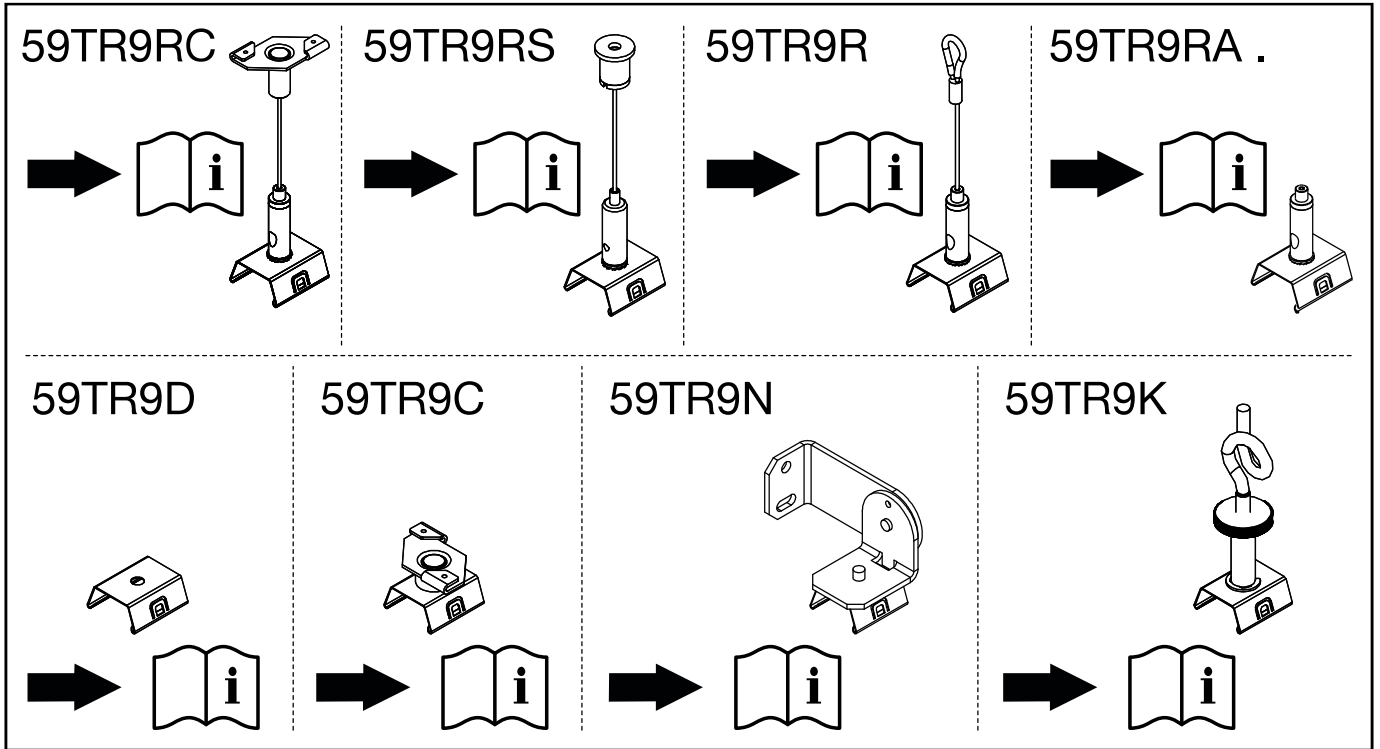
5 . TS...

5 . TD...

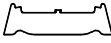

5 . TS...

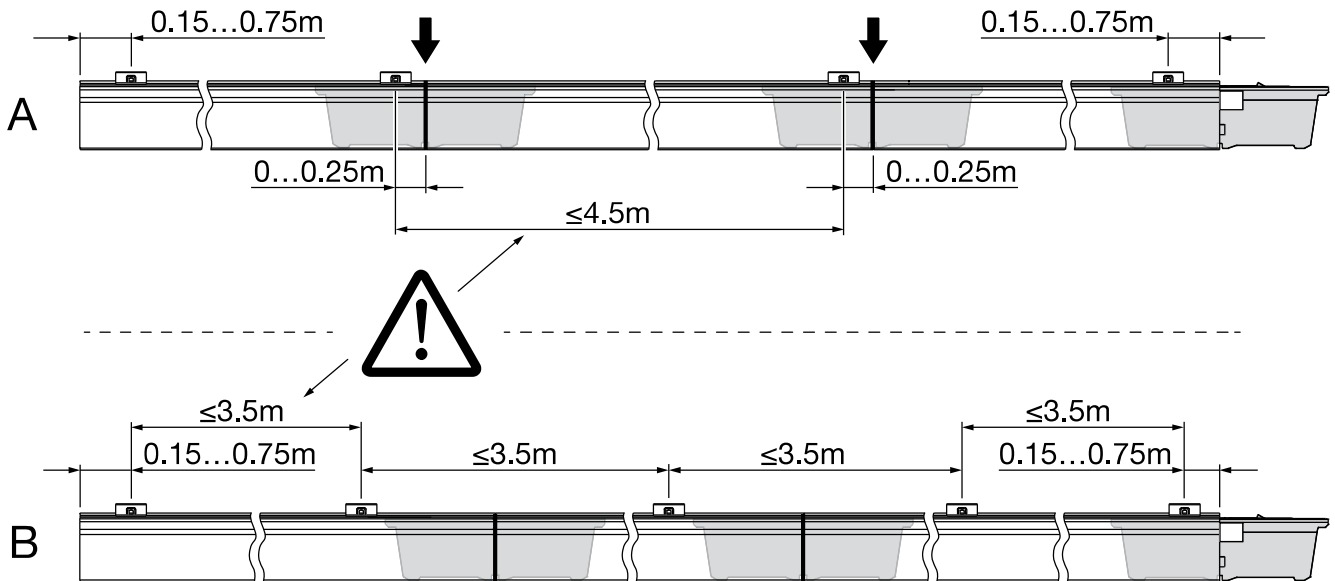
5 . TM...

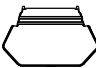

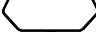
**siteco**

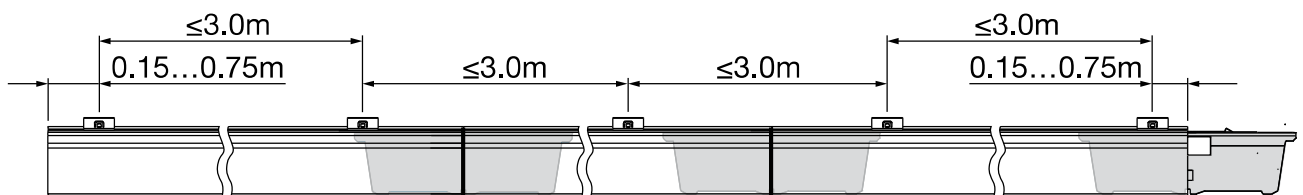


	1 L1	2 L2	3 L3	4 L'	5 L''	6 R	7 PE	8 D2+	9 D1+	10 D2-	11 D1-	12 N	13 N'	14 N''
51TR..0														
51TR..5	X	X	X				X					X		
51TR..7	X	X	X				X		X		X	X		
51TR..9	X	X	X	X			X		X		X	X	X	
51TR..B	X	X	X	X			X	X	X	X	X	X	X	
51TR..B2E	X	X	X	X	X		X		X		X	X	X	X
51TR..E	X	X	X	X	X	X	X	X	X	X	X	X	X	X

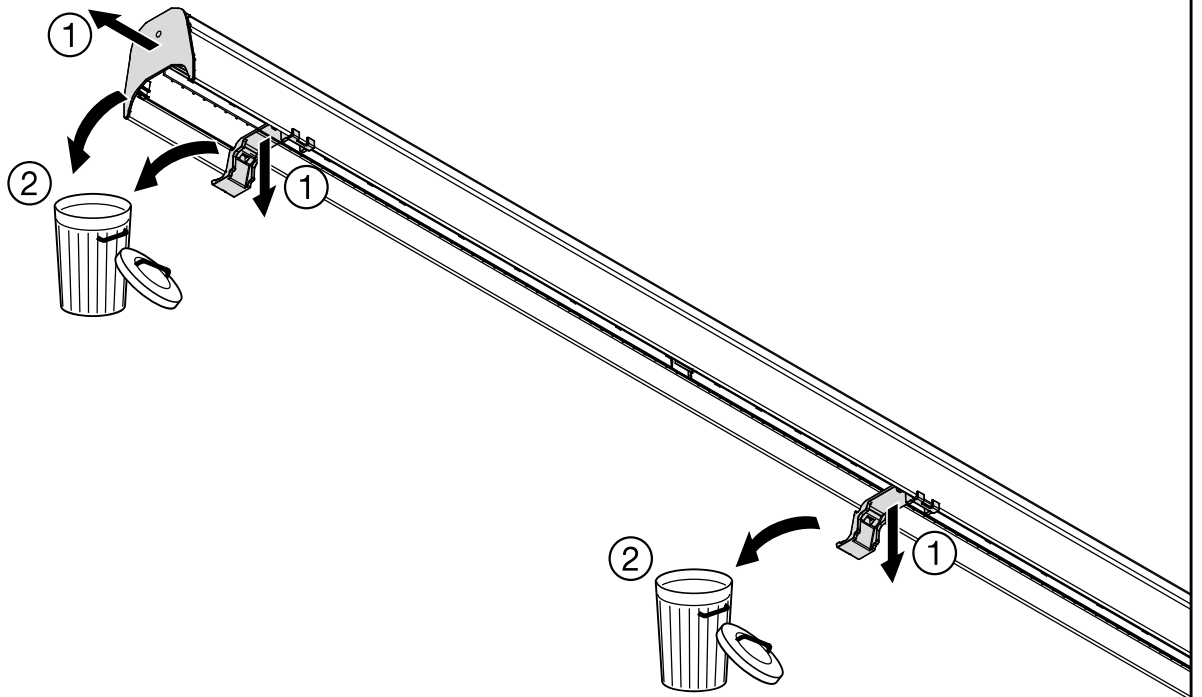
5 . TL...   
 5 . TE... 



5 . TP... 5 . TM...    
 5 . TS... 5 . TD... 

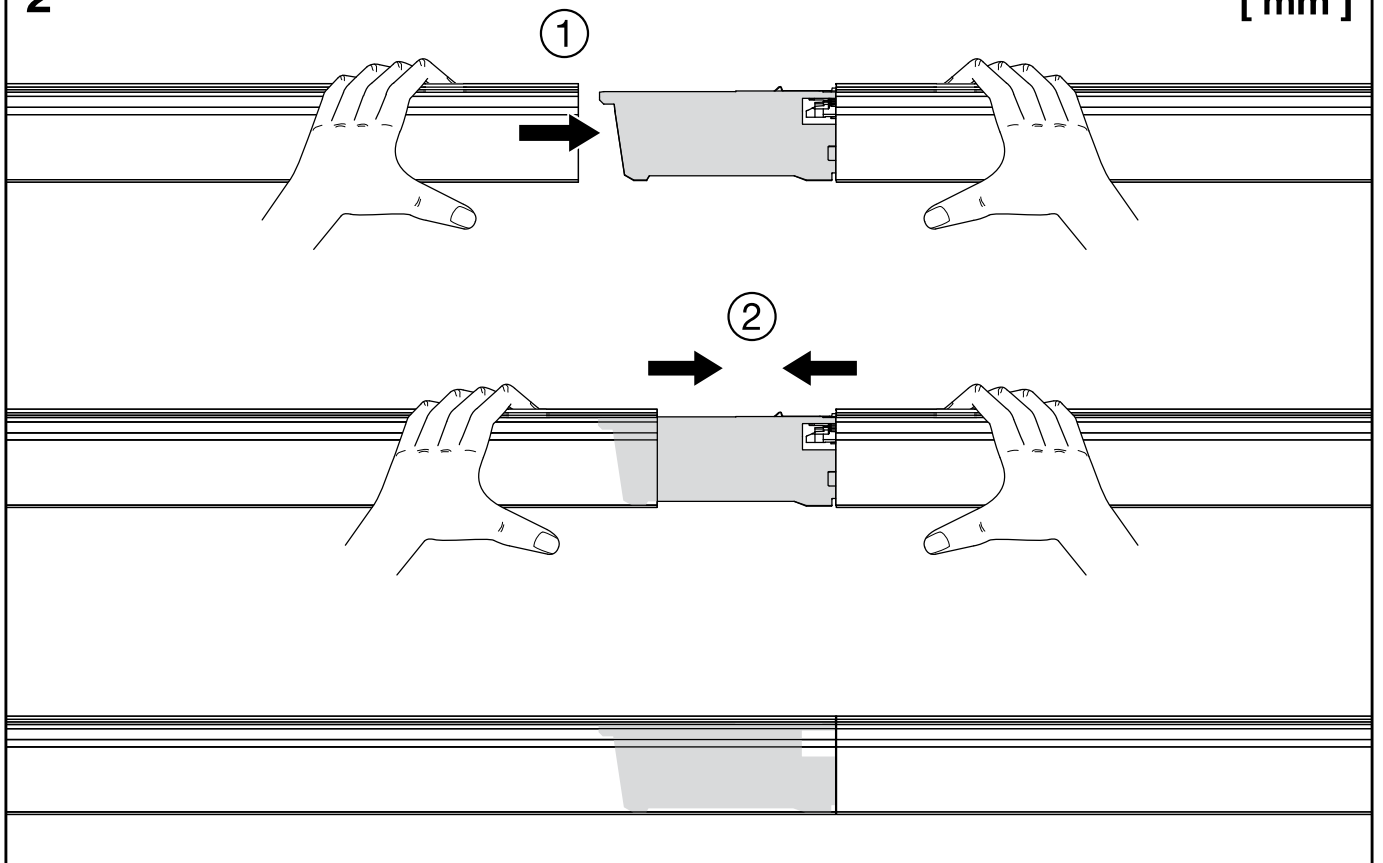


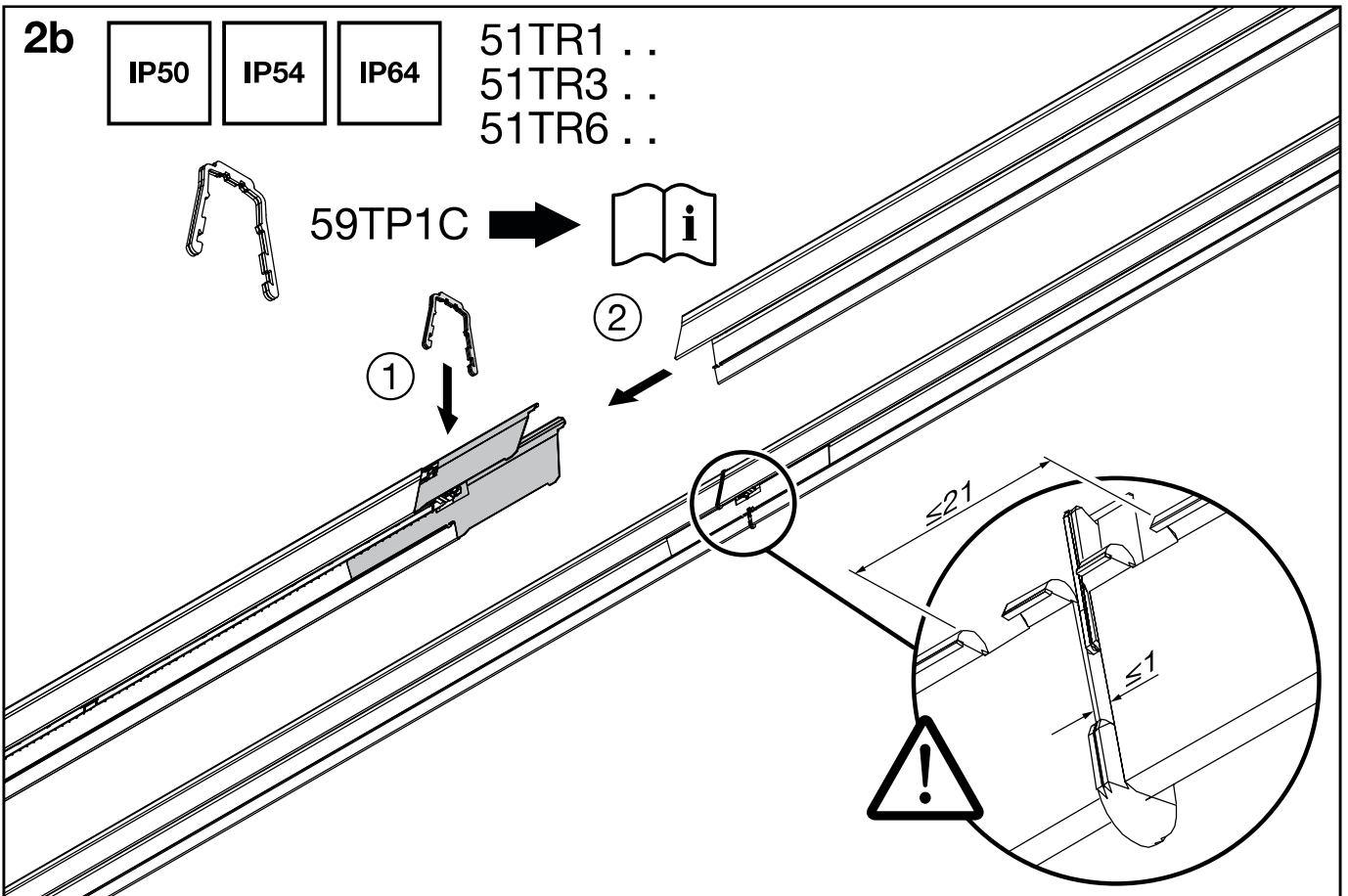
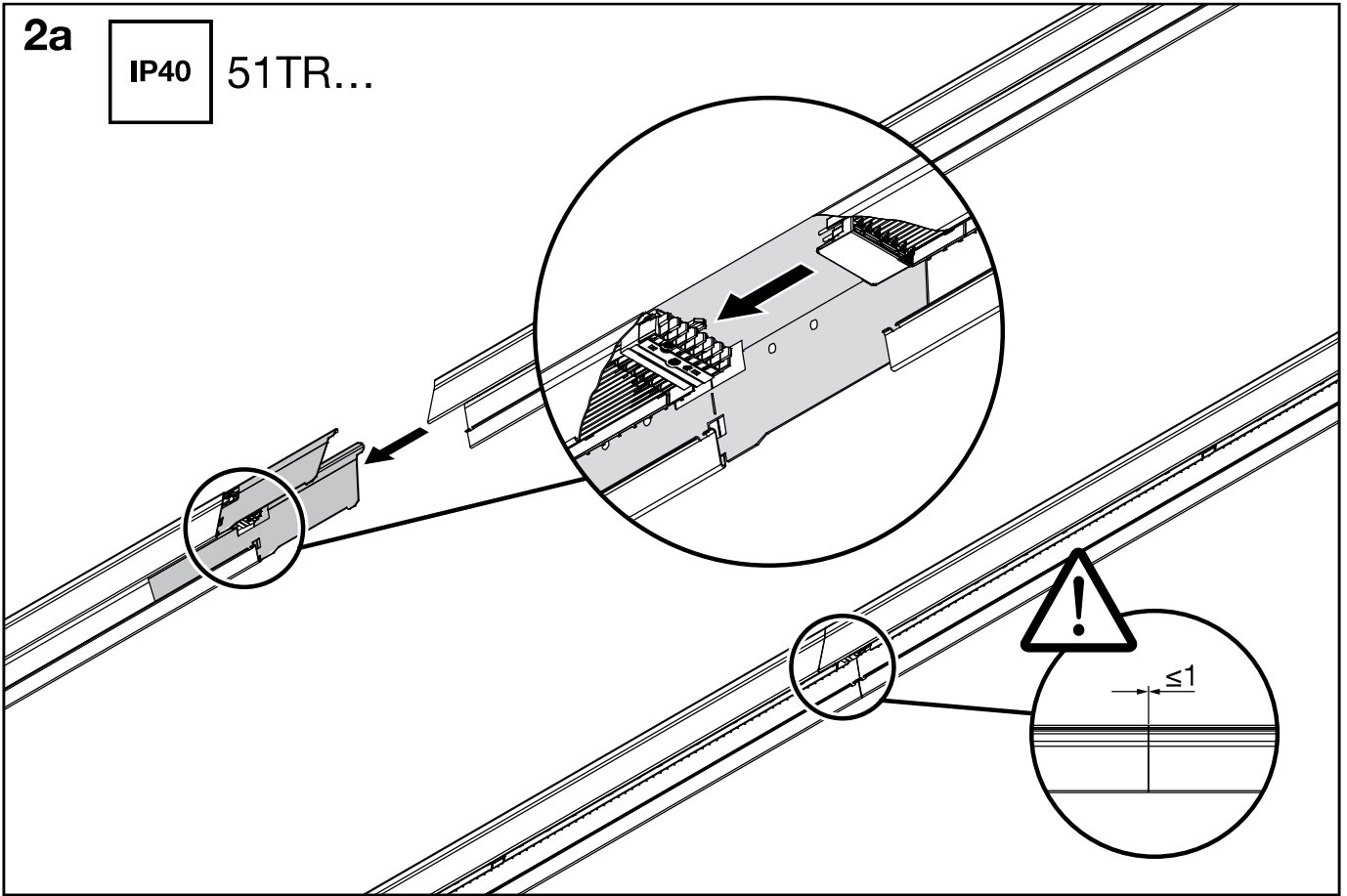
- 1** Umgebungstemperatur während der Installation: +5°C...+40°C  
Ambient temperature during installation:

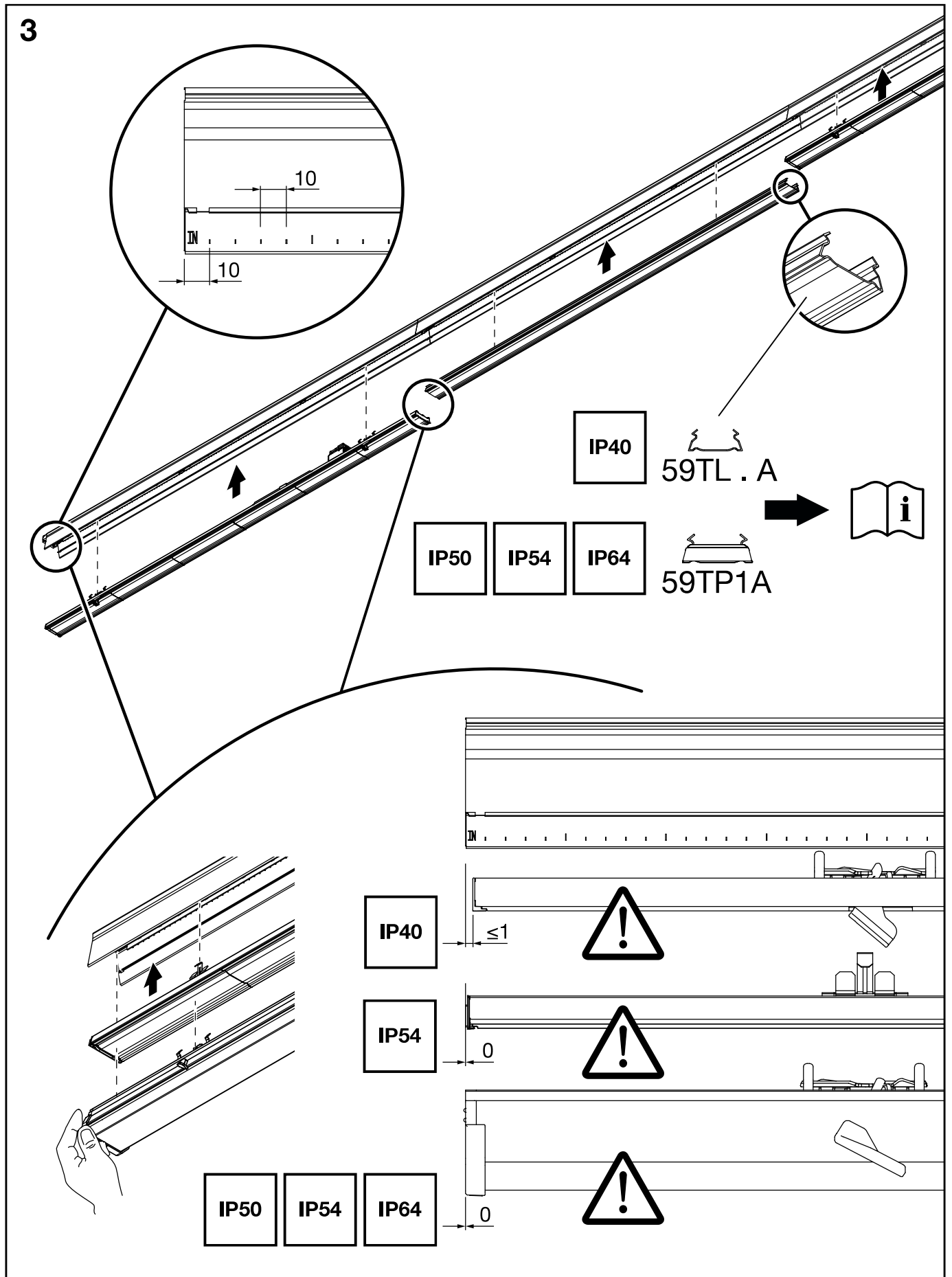


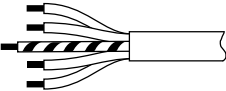
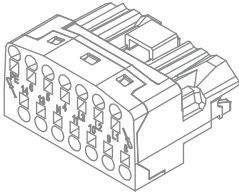


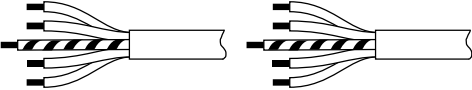
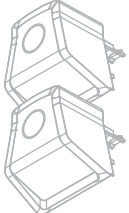


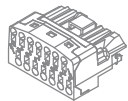
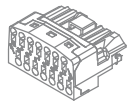


**2**

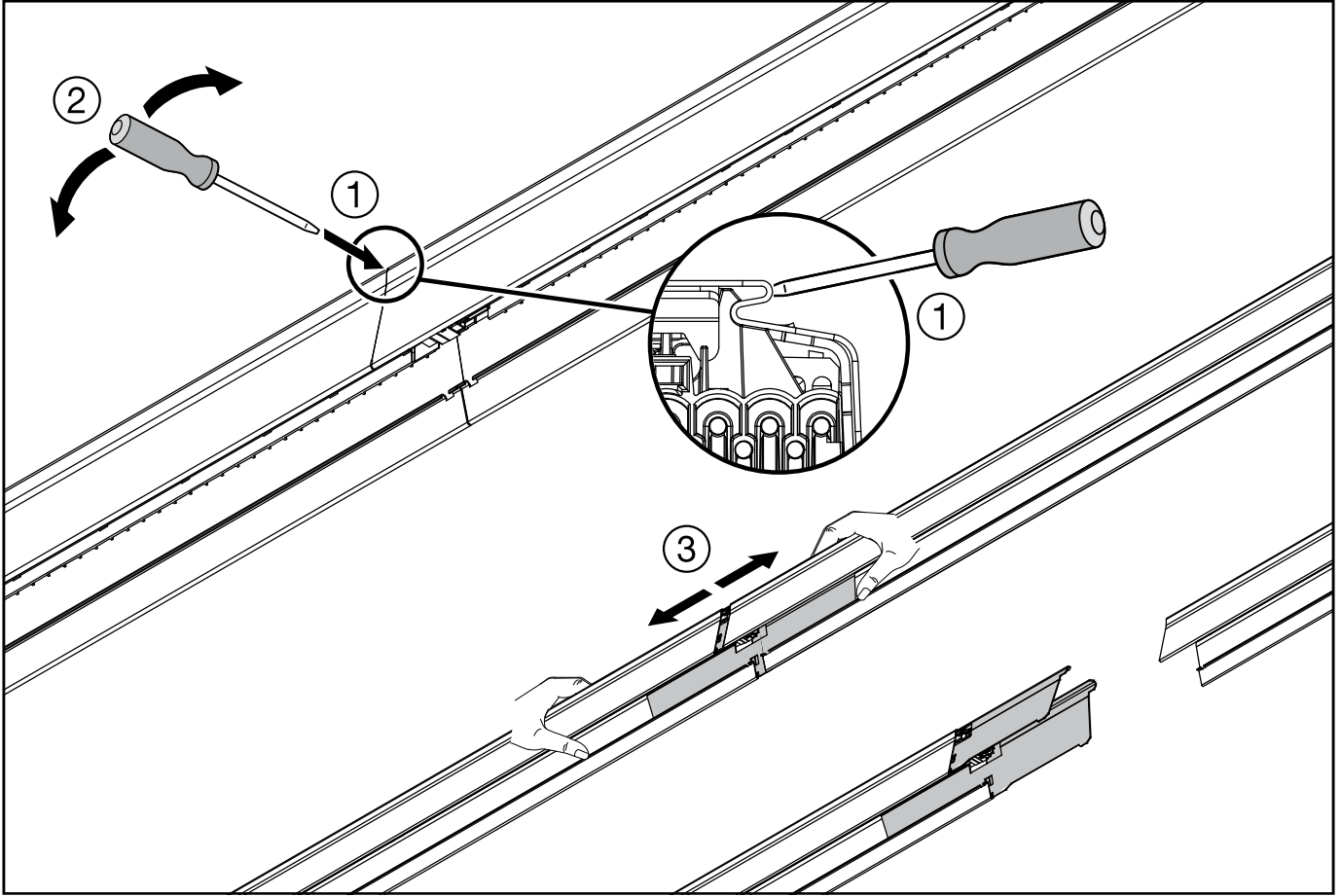
[ mm ]

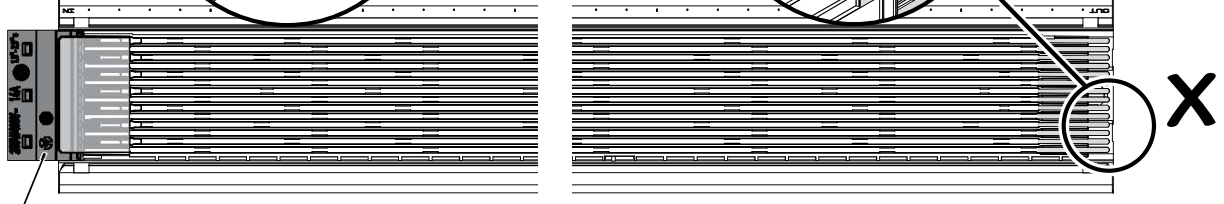
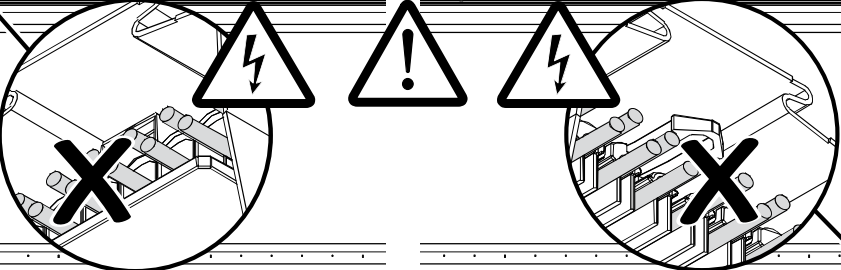
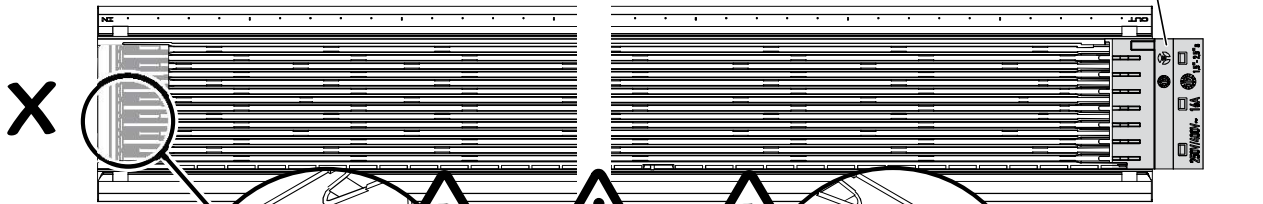
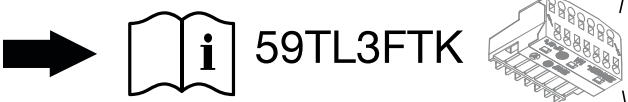
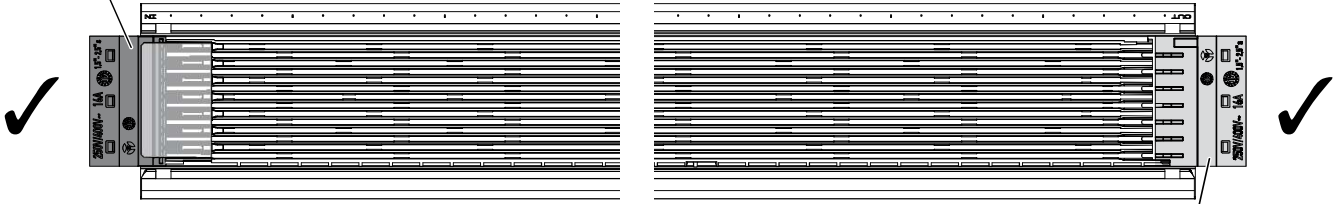
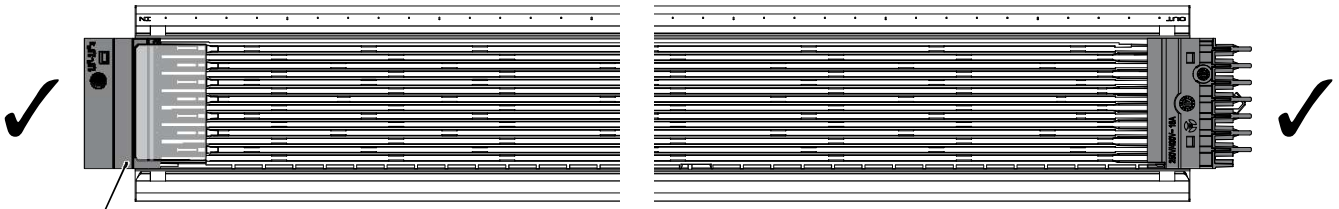






<p> <math>\leq 7 \times 1.5\text{mm}^2</math>  <math>\leq 5 \times 2.5\text{mm}^2</math> </p> 		<p>59TL3FTK</p>  
<p> <math>\leq 14 \times 1.5\text{mm}^2</math>  <math>\leq 14 \times 2.5\text{mm}^2</math> </p> 		<p>59T .. FT .</p>  
		<p>59T .. FN0 59TL3FTK</p>  





IP40	IP50	IP54	IP64	UK CA
CE				

5MA11-252243\_ak  
04.02.2026 / GEI

Siteco GmbH  
Georg-Simon-Ohm-Straße 50  
83301 Traunreut, Germany  
mail: [technicalsupport@siteco.de](mailto:technicalsupport@siteco.de)  
Phone: +49 8669 / 33-844  
[www.siteco.com](http://www.siteco.com)