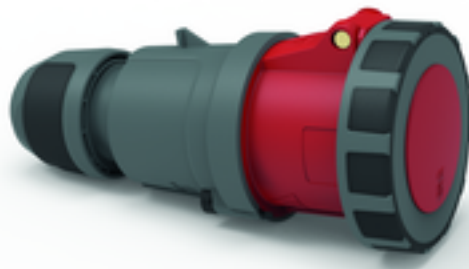


connector - with TE screw terminals, for harsh applications



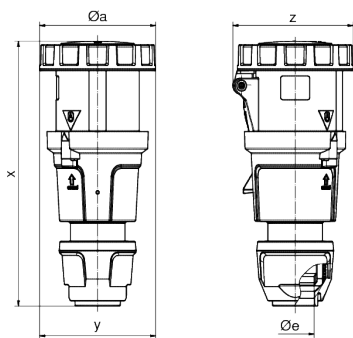
Product description	
BALS-Prd.-Nr	3124-1
EAN	4024941396011
Product category	TE connector
Current	63A
Number of poles	5p
Arrangement of phases	3p+N+PE
Position of earth contact	6 h
Voltage	200/346 - 240/415V~

Product description	
Frequency	50/60Hz
Protection degree	IP67
Colour code	red RAL 3000
Colour of appliance	Hinged lid red RAL 3000, Collar red RAL 3000, Pusher black RAL 9005, Housing cover dark grey RAL 7012, Cable gland dark grey RAL 7012, Bajonet ring dark grey RAL 7012
Connection design	screw terminal as box terminal with Kontex-contact
Maximum conductor size	16,0 qmm
Cable entry	with cable gland
Height	250mm
Width	115mm
Depth	111mm
Material of enclosure	Polyamide
Contacts	The contact carrier is made of high temperature resistant material, the contacts are brass nickel plated

Additional technical properties	
	For cable diameter from 16 up to max. 36 mm, Screwless housing connection, With rubberized cable gland (SUSTAINABLE-GRIP), With rubberized bayonet ring (SUSTAINABLE-GRIP), Multi-Grip cable gland with gasket and integrated strain relief

Logistics data	
Weight/pcs	888.66 g / Piece
Packaging	Bag

Logistics data	
Content amount	1 ST
Length	111 mm
Width	115 mm
Height	250 mm
Weight	889.66 g
Volume	3,191.25 ccm
Packaging	Carton
Content amount	5 ST
Length	325 mm
Width	217 mm
Height	210 mm
Weight	4,649.3 g
Volume	14,810.25 ccm



	63 Polzahl 3	63 4	63 5
ø a	111,0	111,0	111,0
ø e	36,0	36,0	36,0
x	250,0	250,0	250,0
y	111,0	111,0	111,0
z	115,0	115,0	115,0
Cond. mm² min	6,0	6,0	6,0
Cond. mm² max	16,0	16,0	16,0



