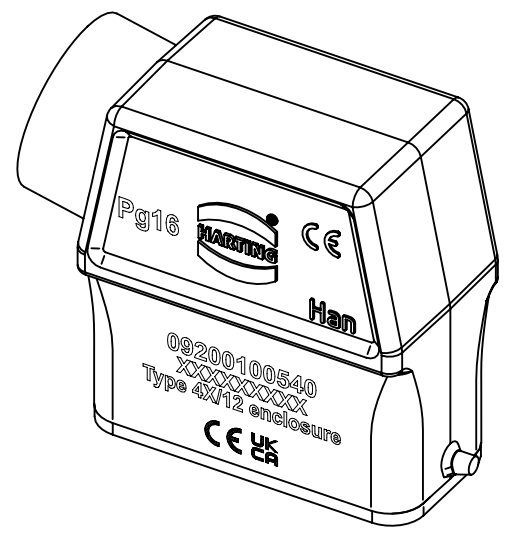
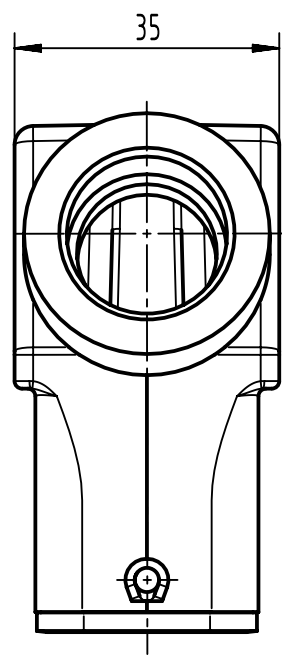
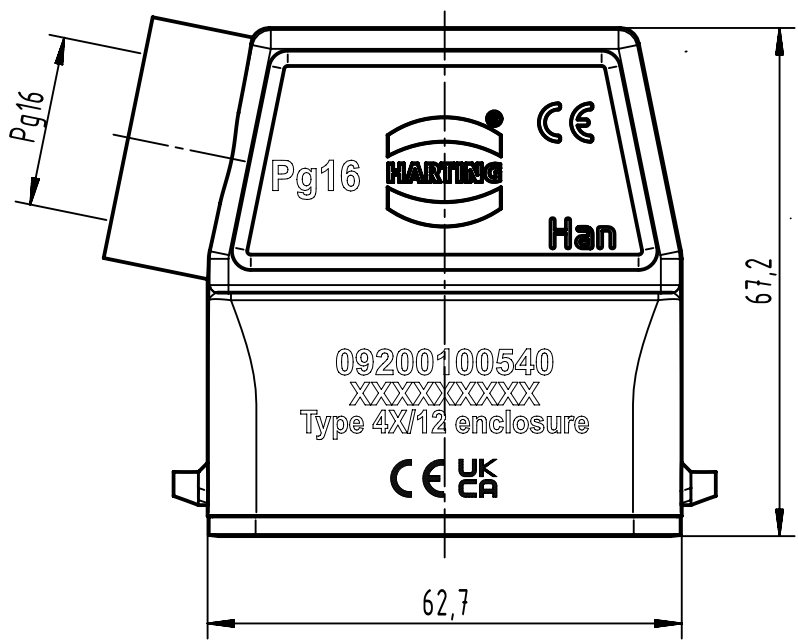


A

B

C

D



	All Dimensions in mm Original Size DIN A4	Scale	Free size tol.		Ref.	
		1:1			Sub.	
	All rights reserved Department EL PD	Created by	Inspected by	Standardisation	Date	State
		HOLLERT	GERB		2023-08-09	Approved
HARTING D-32339 Espelkamp		Title			Doc-Key / ECM-Nr.	
		Han 10A-HSE-HC-for SL-Pg16			100189407/UGD/004/E 500000250471	
		Type	Number	Rev.		Page
		TB	09 20 010 0540	E		1/1