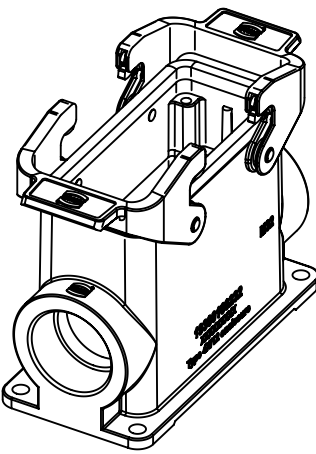


19300160232
XXXXXXXXXX
Type 4X/12 enclosure



	All rights reserved Department EL PD - DE	All Dimensions in mm Original Size DIN A4		Scale 1:1	Free size tol.	Ref. Sub.
		Created by RULLKOETTER	Inspected by BERGHORN	Standardisation TIEMANNA	Date 2016-07-19	State Final Release
HARTING Electric GmbH & Co. KG D-32339 Espelkamp		Title Han 16B SM Base HC 1 x M32			Doc-Key / ECM-Nr. 100211445/UGD/004/B 500000104270	
		Type TB	Number 19 30 016 0232		Rev. B	Page 1/1