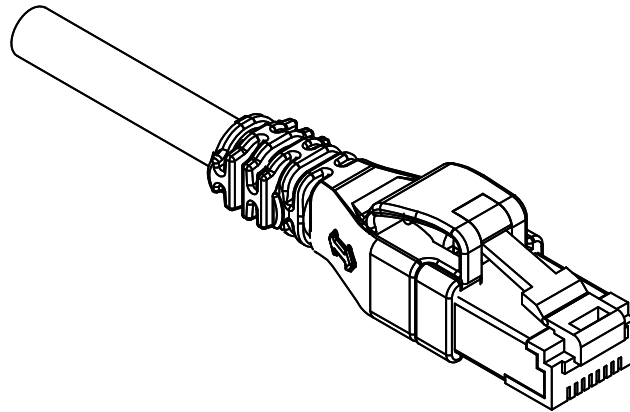



# Technical Datasheet

## EasyLan<sup>®</sup> Patch Cord DualBoot<sup>®</sup> PushPull Cat.6<sub>A</sub> ISO/IEC

**Article No. : see on page 3**




f e d c b a	Änderung 12.02.2026 MW	Änderung 11.07.2023 MW	Änderung 15.11.2021 MW	Änderung 22.08.2019 LP	POE++ ergänzt 06.06.2019 SP	Neuerstellung 21.05.2019 LP	drawn 21.05.2019 LP	 <b>EasyLan<sup>®</sup></b> <i>...for a better connectivity</i>	
	Änderung 11.07.2023 MW	Änderung 15.11.2021 MW	Änderung 22.08.2019 LP	POE++ ergänzt 06.06.2019 SP	Neuerstellung 21.05.2019 LP	appr. 21.05.2019 MJ	<b>Dimensions: mm</b>  <b>Original: DIN A4</b>  <b>Sheet 1 of 3</b>		
	<b>Titel:</b> EasyLan <sup>®</sup> Patch Cord DualBoot <sup>®</sup> PushPull Cat.6 <sub>A</sub> ISO/IEC								<b>ZN-CU191073</b>
	<b>Drawing Number:</b>								
	<b>Index</b>	<b>Revision Code</b>	<b>Date</b>	<b>Name</b>					

# Technical Data

<b>General Data</b>	
Connection	1:1
Colors	white, black, gray, red, yellow, green, blue, turquoise, violet, orange
Identification possibility	Colorclips (Order No.: CPZHS7BOX)
<b>Cable Characteristics</b>	
Cable type	S/FTP
Number twisting elements	4P+1
Twisting elements	Pair
Configuration	LSHF (LSOH) acc. EN50290-2-27
Braid	AWG26/7
Category	Cat. 6 <sub>A</sub> ISO/IEC
Shielding	shielded
<b>Connector Characteristics</b>	
Housing material	Polycarbonate
Pin plating	Au (Gold)
<b>Environmental Conditions</b>	
Temperature range during operation	-25°C to + 60°C
Temperature range during installation	0°C to + 50°C
<b>Approvals</b>	
RoHS	conform
<b>Standards</b>	
General requests	ISO/IEC 11801 Ed.2.2: 2011-06 DIN EN 50173-1: 2011-09 TIA/EIA 568-C.2 IEC 60332-1
Plug	DIN EN 60603-7
<b>Transmission Characteristics</b>	
Category (ISO)	6 <sub>A</sub>
Category (TIA)	6 <sub>A</sub>
Remote powering	yes
PoE	IEEE 802.3af
PoE +	IEEE 802.3at
PoE ++	IEEE 802.3bt
UPoE	yes
HDBaseT	yes
Bit rate up to 10 GBit	IEEE 802.3an

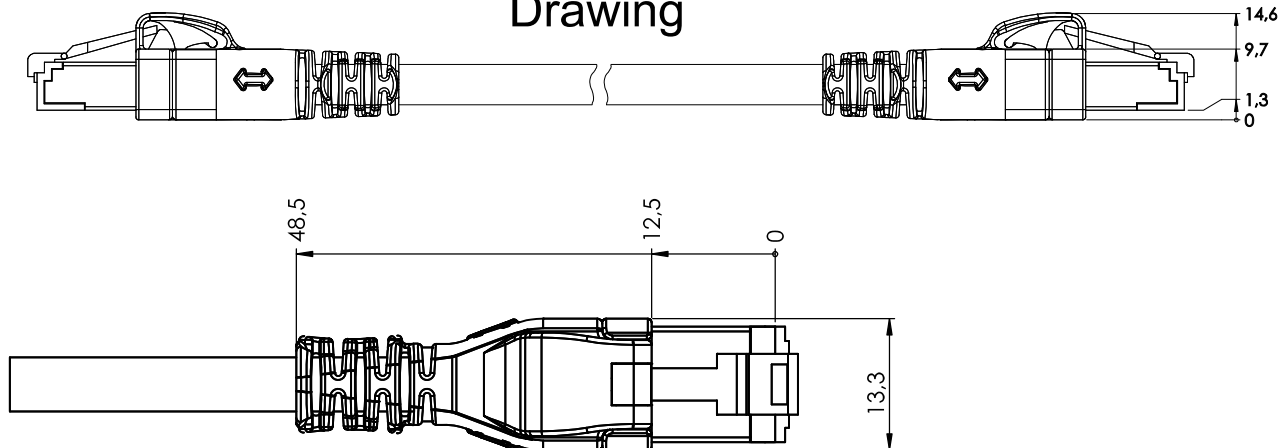
All rights reserved ZVK GmbH D-94244 Teisnach Technologiecampus 2 Germany Phone: +49 9923 804379-0 Fax: +49 9923 804379-50 www.zvk-gmbh.de all data without guarantee

f e d c b a	Anderung	12.02.2026	MW	drawn	21.05.2019	LP	 <b>EasyLan</b> <sup>®</sup> ...for a better connectivity	
	Anderung	11.07.2023	MW	appr.	21.05.2019	MJ		
	Anderung	15.11.2021	MW	Titel: <b>EasyLan<sup>®</sup> Patch Cord DualBoot<sup>®</sup> PushPull          Cat.6<sub>A</sub> ISO/IEC</b>				
	POE++ ergänzt Neuerstellung	06.06.2019 21.05.2019	SP LP	Drawing Number: <b>ZN-CU191073</b>				
Index	Revision Code	Date	Name				Dimensions: mm Original: DIN A4 Sheet 2 of 3	

# Technical Data

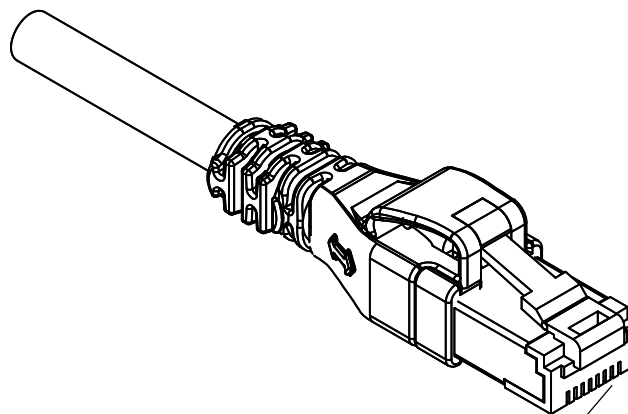
<b>Electrical Characteristics</b>	
Loop resistance	290 Ω/km
Insulation resistance	≥5000 MΩ*km
Characteristic impedance	100 ± 3Ω
Propagation delay	10ns / 100m
<b>Packaging Unit</b>	0,1 m - ≤5,0 m = 5 pcs >5,0 m = 1 pc

## Drawing




Color	Order No.
white	CPP1OWAWAWxxxx
black	CPP1OSASASxxxx*
gray	CPP1OAAAAAxxxx*
red	CPP1ORARARxxxx*
yellow	CPP1OYAYAYxxxx*
green	CPP1OGAGAGxxxx*
blue	CPP1OBABABxxxx*
turquoise	CPP1OTATATxxxx*
violet	CPP1OVAVAVxxxx*
orange	CPP1OOAOAOxxxx*

\*xxxx: Length in dm  
e.g. 0010 = 1 m



dimension RJ45  
according to IEC 60603-7

f e d c b a	Änderung Änderung Änderung POE++ ergänzt Neuerstellung	12.02.2026 11.07.2023 15.11.2021 22.08.2019 06.06.2019 21.05.2019	MW MW MW LP SP LP	drawn	21.05.2019	LP	 <p><b>EasyLan</b><sup>®</sup> ...for a better connectivity</p>			
				appr.	21.05.2019	MJ				
				Titel:				EasyLan <sup>®</sup> Patch Cord DualBoot <sup>®</sup> PushPull Cat.6 <sub>A</sub> ISO/IEC		Dimensions: mm
				Drawing Number:				ZN-CU191073		Original: DIN A4
Index	Revision Code	Date	Name				Sheet 3 of 3			