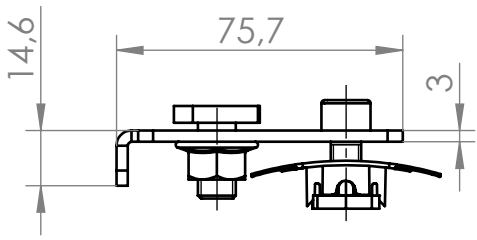


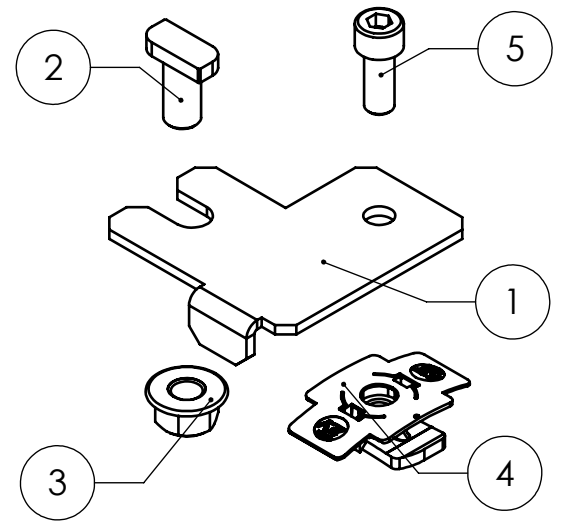
1 2 3 4

A

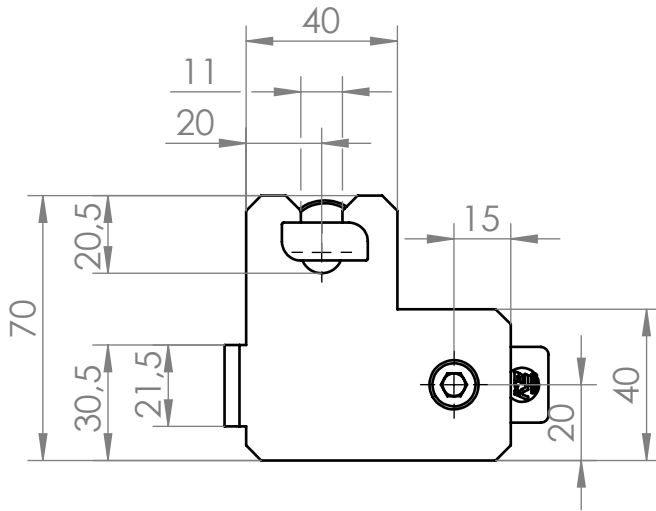


B

Isometric



C



D

*The components are not pre-assembled

Pos.No.	Designation	Material	Quantity
1	SolidRail CrossConnector	Stainless steel 1.4301	1
2	T-Bolt 28-15 M10x20	Stainless steel 1.4301	1
3	Hexagon Flange nut serrated - similar DIN 6923 M10	A2-70	1
4	MK2	Stainless steel 1.4301/TPC	1
5	Socket Head Bolt serrated similar ISO 4762- M8x20	A2-70	1

E



K2 Systems GmbH
Industriestr. 18
71272 Renningen
Germany
+49 7159 42059-0

Designation: **Data sheet
SolidRail CrossConnector
Set**

F

Name	Date	Material:	Item no.:	1004110	A4
Designed E. Markou	06.11.2023	see table			
Approved A. Soumpalas	06.11.2023	Surface: -	Drawing no.:	01-087-00	All dimensions in mm
Last change		Weight: ca. 160.6 g/Stk	Scale: 1:2		Sheet 1 of 1

This drawing is the sole property of K2 Systems GmbH. It is protected by copyright and may only be copied, reproduced or distributed to a third party with explicit permission!