

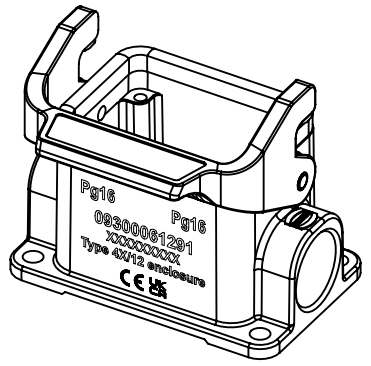
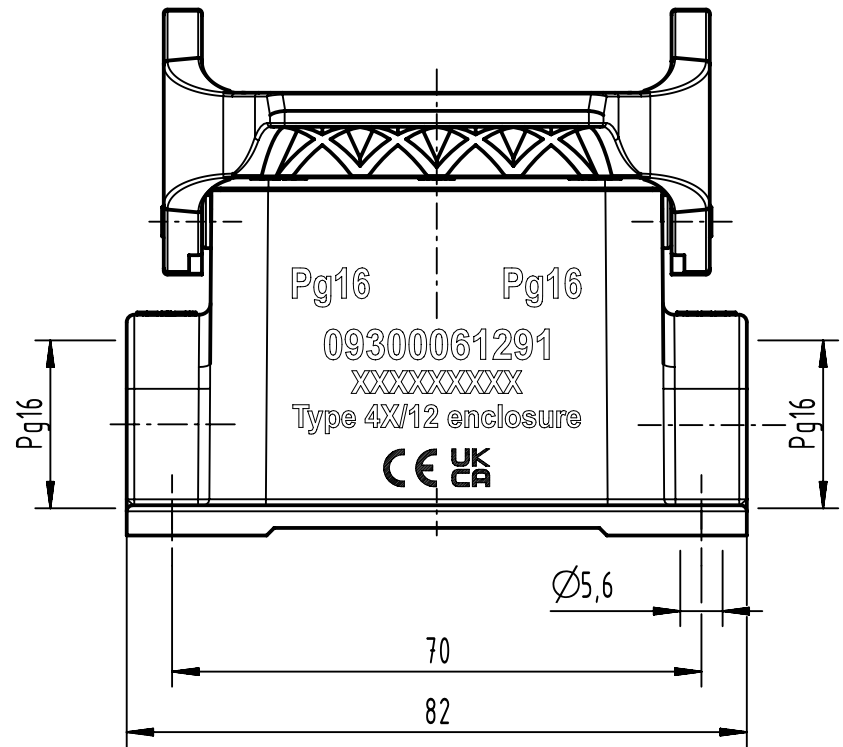
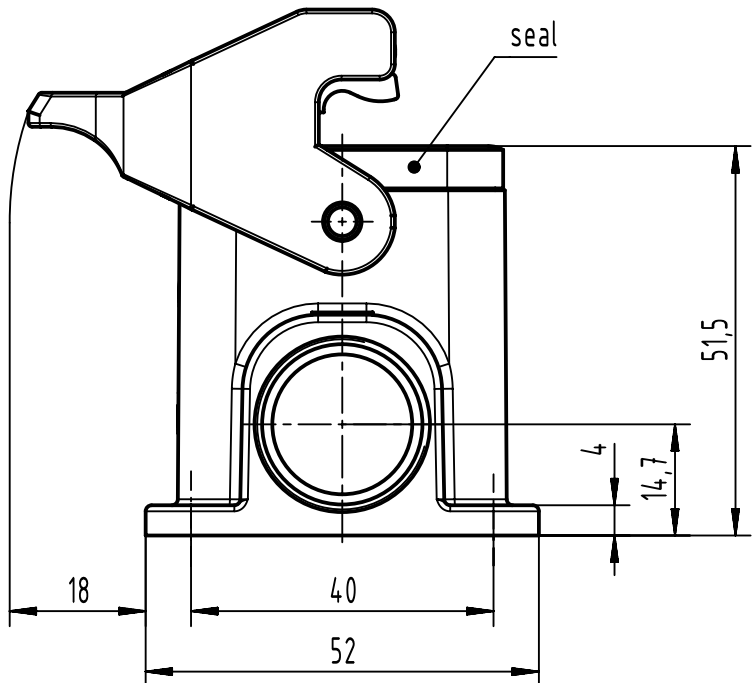
1 2 3 4 5 6

A

B

C

D



	All Dimensions in mm Original Size DIN A4		Scale 1:1	Free size tol.		Ref. Sub. TB 09 30 006 1291 v. 26.04.11	
		All rights reserved	Created by SPRENB	Inspected by GERB	Standardisation	Date 2023-10-23	State Final Release
Department EL PD		Title Han B Base Surface LC 1 Lever 2 Entries				Doc-Key / ECM-Nr. 100208663/UGD/005/D 500000255788	
HARTING D-32339 Espelkamp		Type TB	Number 09 30 006 1291			Rev. D	Page 1/1