

Han ES 16B PE-CC Female

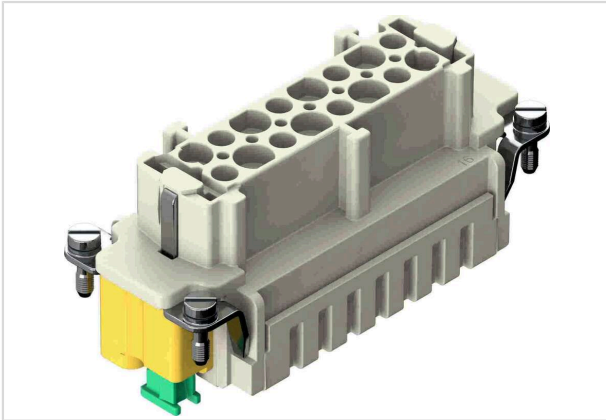


Image is for illustration purposes only. Please refer to product description.

Part number	09 33 016 2776
Specification	Han ES 16B PE-CC Female
HARTING eCatalogue	https://harting.com/09330162776

Identification

Category	Inserts
Series	Han [®] ES
Specification	Cage clamp termination for PE connection

Version

Termination method	Cage-clamp termination
Gender	Female
Size	16 B
Number of contacts	16
PE contact	Yes

Technical characteristics

Conductor cross-section	0.14 ... 2.5 mm ²
Conductor cross-section [AWG]	AWG 26 ... AWG 14
Rated current	16 A
Rated voltage	500 V
Rated impulse voltage	6 kV
Pollution degree	3
Rated voltage acc. to UL	600 V
Rated voltage acc. to CSA	600 V
Insulation resistance	>10 ¹⁰ Ω
Contact resistance	≤3 mΩ
Stripping length	7 ... 9 mm



Pushing Performance
 Since 1945

Technical characteristics

Tightening torque	1.2 Nm PE screw M4
Recommended screw driver	Slotted 0.8 x 4.5 PH2
Limiting temperature	-40 ... +125 °C
Mating cycles	≥500

Material properties

Material (insert)	Polycarbonate (PC)
Colour (insert)	RAL 7032 (pebble grey)
Material (contacts)	Copper alloy
Surface (contacts)	Silver plated
Material flammability class acc. to UL 94	V-0
RoHS	compliant with exemption
RoHS exemptions	6(c): Copper alloy containing up to 4 % lead by weight
ELV status	compliant with exemption
China RoHS	50
REACH Annex XVII substances	Not contained
REACH ANNEX XIV substances	Not contained
REACH SVHC substances	Yes
REACH SVHC substances	Potassium 1,1,2,2,3,3,4,4,4-nonafluorobutane-1-sulphonate Lead
ECHA SCIP number	1e38d35d-d1be-4585-8e03-95faccd739bf
California Proposition 65 substances	Yes
California Proposition 65 substances	Lead
Fire protection on railway vehicles	EN 45545-2 (2020-08)
Requirement set with Hazard Levels	R22 (HL 1-3) R23 (HL 1-3)

Specifications and approvals

Specifications	IEC 60664-1 IEC 61984
UL / CSA	UL 1977 ECBT2.E235076 UL 2237 PVVA2.E318390 CSA-C22.2 No. 182.3 PVVA8.E318390
Approvals	DNV GL



Pushing Performance
Since 1945

Commercial data

Packaging size	1
Net weight	92 g
Country of origin	China
European customs tariff number	85366990
GTIN	5713140186231
eCl@ss	27440205 Contact insert for industrial connectors
ETIM	EC000438
UNSPSC 24.0	39121522