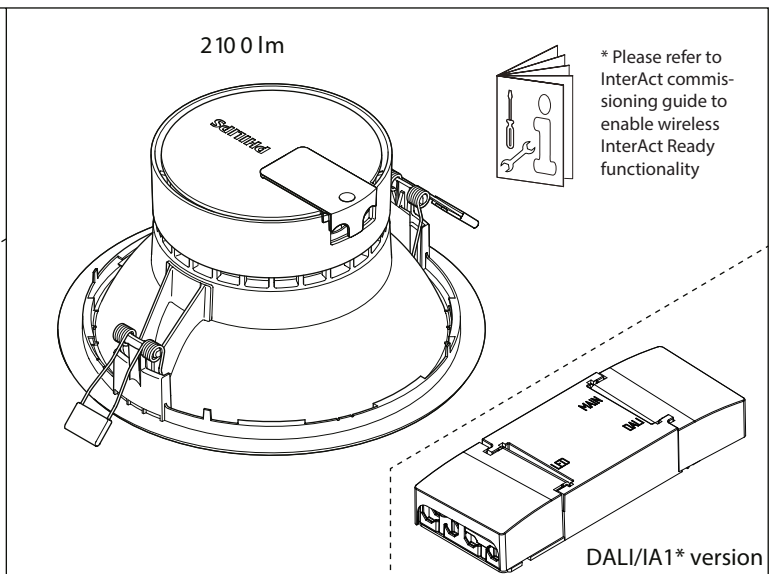
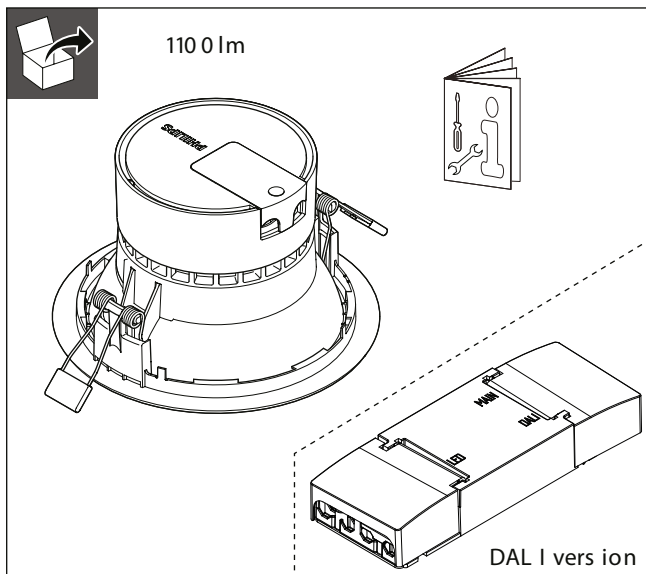
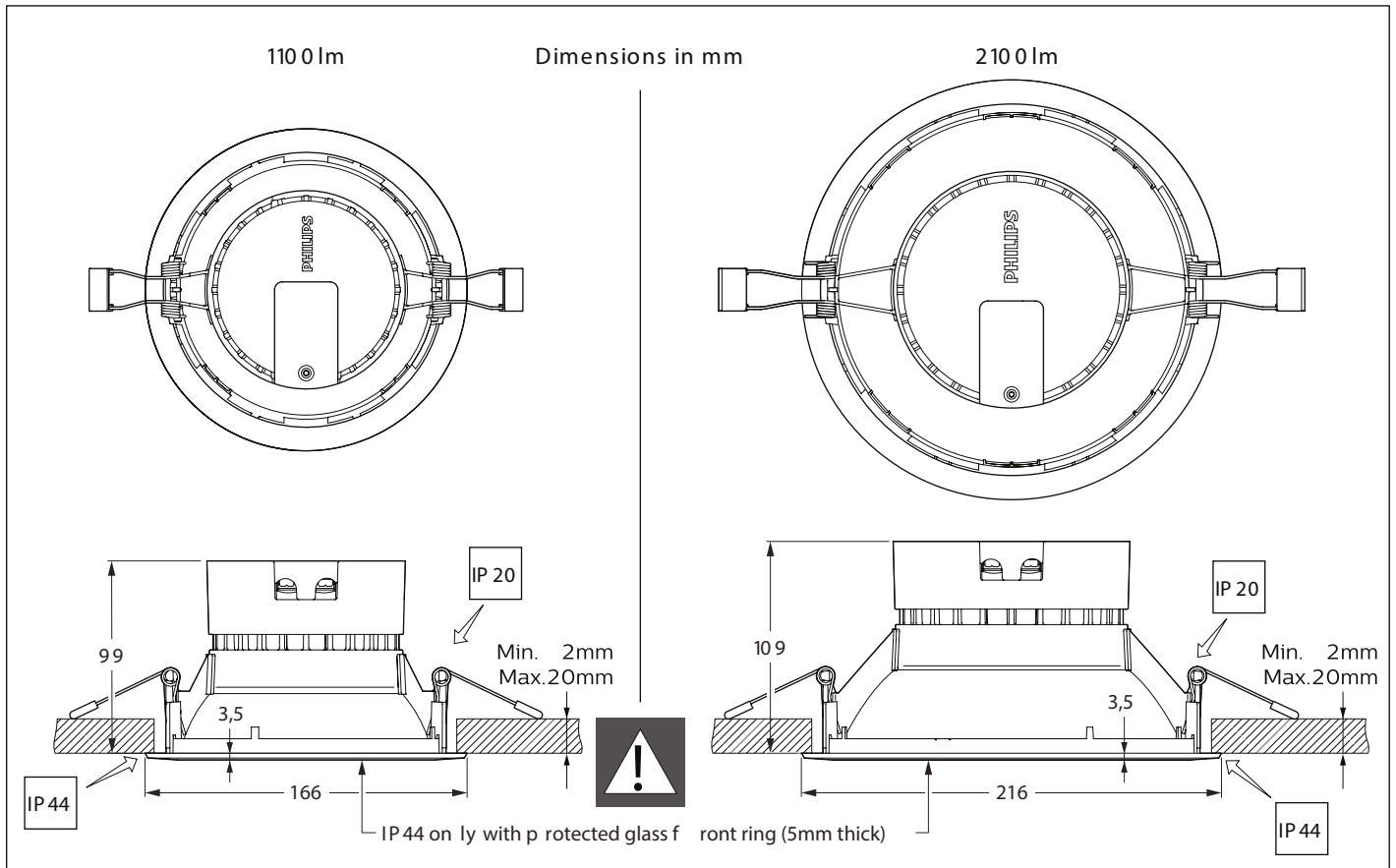
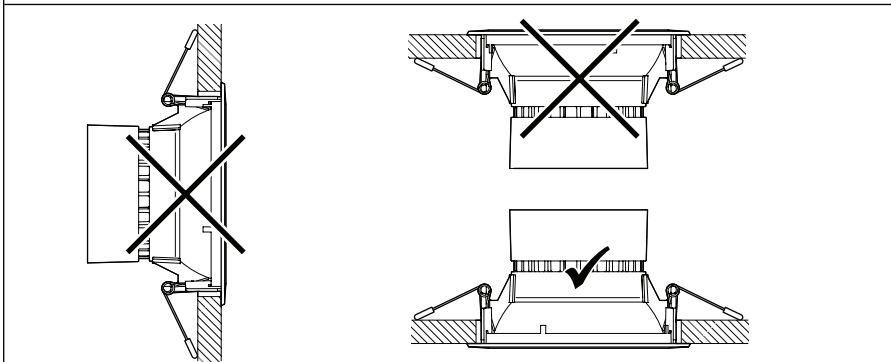
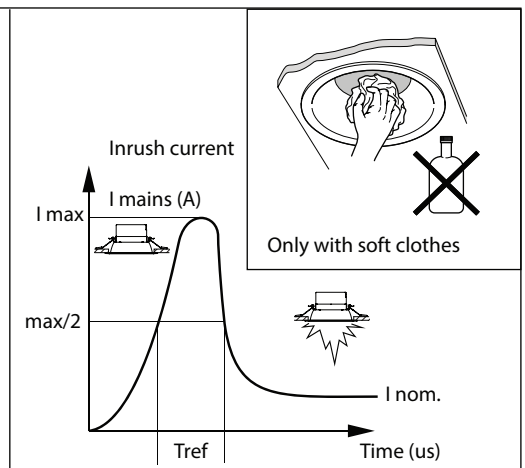
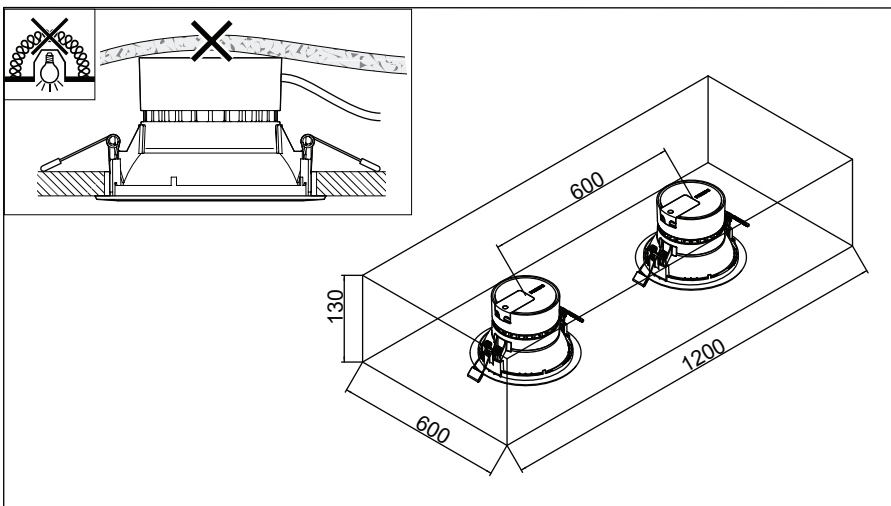
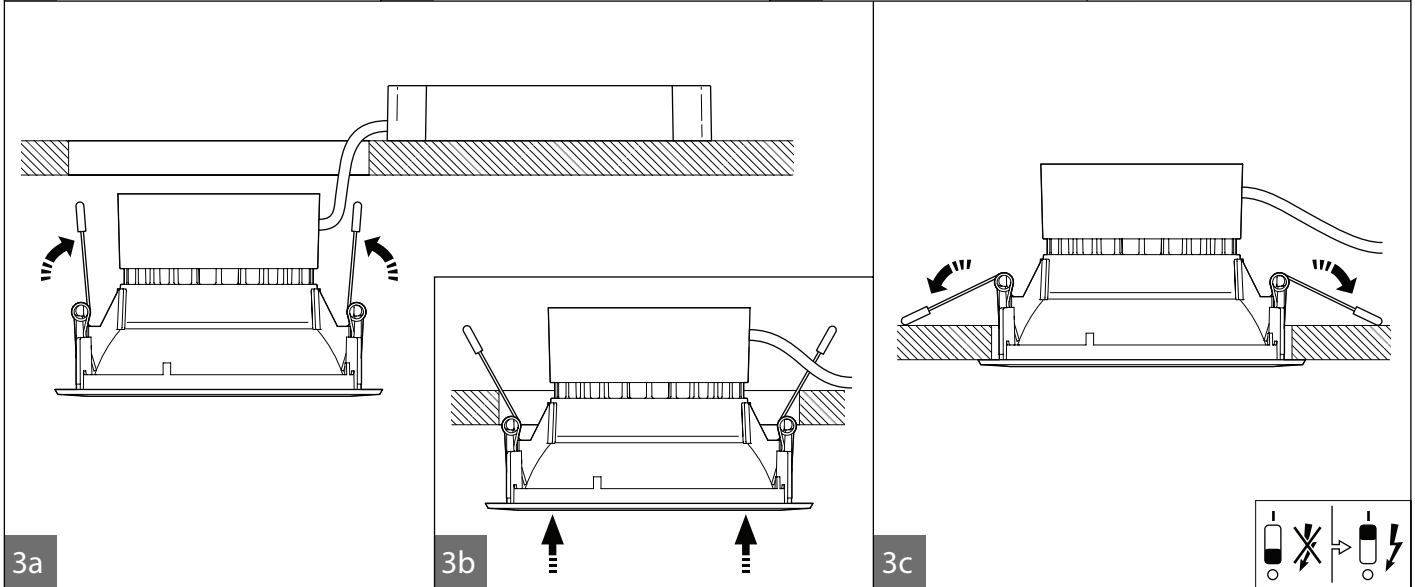
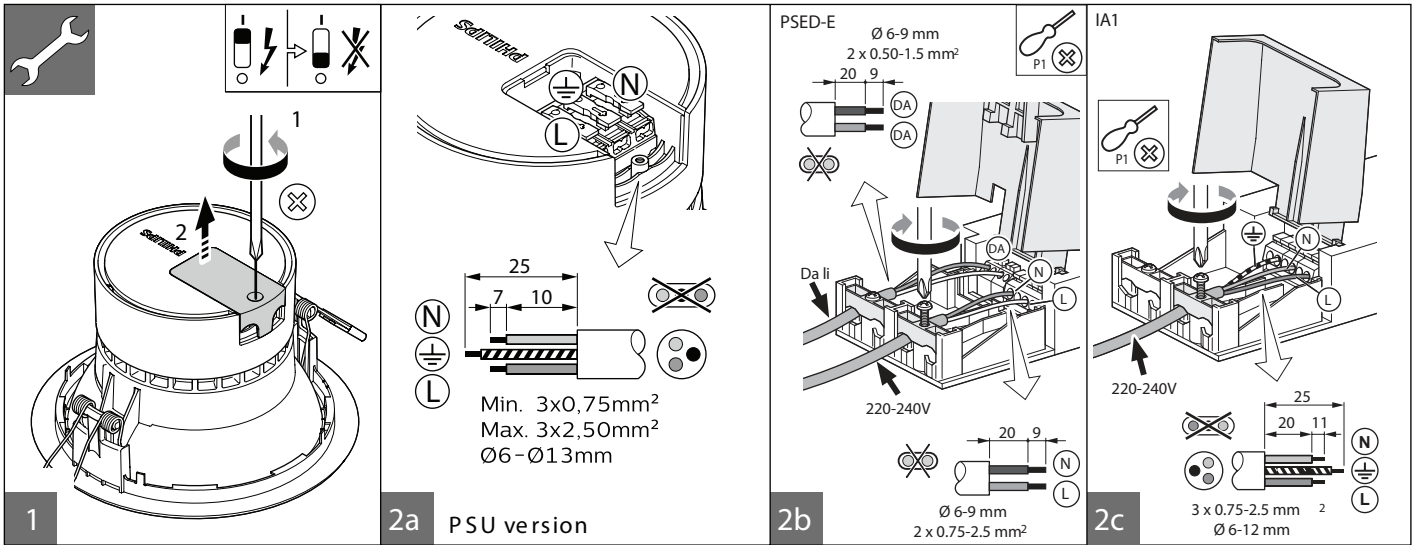


Philips CoreLine Downlight DN130



	System lumen(l m)	CCT(K)	Driver	P _{nom} (W)	P _{max} (W)	Ø mm	kg
DN130B/DN131B LED10S	1100	3000/4000	PSU	11,0	12,2	150-155	0,38
DN130B/DN131B LED20S	2100	3000/4000	PSU	22,0	24,3	200-205	0,70
DN130B/DN131B LED10S	1100	3000/4000	PSED-E	11,0	12,2	150-155	0,47
DN130B/DN131B LED20S	2100	3000/4000	PSED-E/IA1	22,0	24,3	200-205	0,79





	1100Lm		2100Lm
	PSU/PSED	PSU	PSED/IA1
$I_{\text{nom}} \text{ (A)}$	0.07	0.13	0.13
$I_{\text{max}} \text{ (A)}$	16.00	16.00	12.00
Tref(ms)	0.50	0.32	0.25
MCB	Downlights Max.		
B-10A	18	9	15
B-13A	25	12	20
B-16A	30	15	24
C-10A	31	15	25
C-13A	41	20	33
C-16A	50	25	40